

## Pressure switch

RT

**Contents****Page**

Description .....	3
Survey of types, pressure ranges.....	3
Technical data and code nos. all types .....	4
Approvals.....	5
Technical data and material in contact with medium .....	6
Dimension and weight.....	7
Installation.....	8
Function .....	9
Function description fail-safe design.....	10
Pressure switch for liquid level control.....	10
Application .....	11
Pressure switch with adjustable neutral zone .....	12
Differential pressure switches.....	13
RT spare parts and accessories.....	15

**Description**



Type RT pressure switches incorporate a pressure controlled, single-pole changeover switch where the contact position depends on the pressure in the connection port and the set value. The RT series consists of pressure switches, differential pressure switches and pressure switches for neutral zone regulation. These units are for general use within the industrial and marine sectors. The RT series also covers safety pressure switches for steam boiler plant. For installations in which operation is particularly critical from safety and economic points of view, the use of fail-safe pressure switches is recommended. The use of gold-plated contacts is also recommended in such installations, provided operation involves only a few switching cycles or low signal currents and voltages.

**Pressure switches type RT**

0 5 10 15 20 25 30 bar											Range $p_e$ bar	Type
Standard pressure switches											-1 → 0	RT 121
											0 → 0.3	RT 113
											0.1 → 1.1	RT 112
											0.2 → 3	RT 110
											-0.8 → 5	RT 1, 1A
											0.2 → 6	RT 200
											1 → 10	RT 116
											4 → 17	RT 5, 5A
											10 → 30	RT 117
											Pressure switches for steam plant approved by Vd TÜV	
0 → 2.5	RT 33B, RT 35 W											
1 → 10	RT 30 AW/ AB/ AS											
2 → 10	RT 31 W/ B/ S											
5 → 25	RT 19 W/ B/ S											
Pressure switches with adjustable neutral zone											-0.8 → 5	RT 1 AL
											0.2 → 3	RT 110 L
											0.2 → 6	RT 200 L
											4 → 17	RT 5 AL
											10 → 30	RT 117 L
Differential pressure switches											-1 → 6	RT 266 AL
											-1 → 6	RT 263 AL
											-1 → 9	RT 262 AL/ A
											-1 → 18	RT 260 AL/ A
											-1 → 36	RT 260 A
											-1 → 36	RT 265 A
$\Delta p = 0-0.9$ bar $\Delta p = 0.1-1$ bar $\Delta p = 0.1-1.5$ bar $\Delta p = 0.5-4$ bar $\Delta p = 0.5-6$ bar $\Delta p = 1-6$ bar												

Technical data and code nos.

When ordering, please state type and code number.

The type designation for the letters below means:  
A: Unit suitable for the medium ammonia  
L: Unit with neutral zone



RT 113  
for manual setting;  
cover with windows



RT 116  
for tamper proof;  
cap and blank cover



RT 262 A  
Differential pressure switch

Pressure switches

Preferred versions

Regulation range ( $p_e$ = effective pressure)  bar	Adjustable/ fixed mechanical differential  bar	Max. operating pressure PB  bar	Max. test pressure $p'$  bar	Pressure connection ISO 228/1	Code no.				Type
					 SPDT DANFOSS A17-660.12	 max. reset SPDT DANFOSS A17-679.12	 min. reset SPDT DANFOSS A17-679.12	 SPDT DANFOSS A17-677.12	
-1 → 0	0.09 → 0.4	7	8	G 3/8 A	017-521566				RT 121
0 → 0.3	0.01 → 0.05	0.4	0.5	G 3/8 A	017-519666				RT 113
0.1 → 1.1	0.07 → 0.16	7	8	G 3/8 A	017-519166			017-519366	RT 112
0.1 → 1.1	0.07	7	8	G 3/8 A		017-519266			RT 112
0.2 → 3	0.08 → 0.25	7	8	G 3/8 A	017-529166			017-529266	RT 110
0.2 → 3	0.08	7	8	G 3/8 A			017-511066		RT 110
-0.8 → 5	0.5 → 1.6	22	25	$\frac{7}{16}$ -20 UNF	017-524566				RT 1
-0.8 → 5	0.5	22	25	$\frac{7}{16}$ -20 UNF			017-524666		RT 1
-0.8 → 5	0.5 → 1.6	22	25	G 3/8 A <sup>1)</sup>	017-500166				RT 1A
-0.8 → 5	0.5	22	25	G 3/8 A <sup>1)</sup>			017-500266		RT 1A
-0.8 → 5	1.3 → 2.4	22	25	G 3/8 A <sup>1)</sup>	017-500766				RT 1A
0.2 → 6	0.25 → 1.2	22	25	G 3/8 A	017-523766			017-524066	RT 200
0.2 → 6	0.25	22	25	G 3/8 A		017-523866	017-523966		RT 200
1 → 10	0.3 → 1.3	22	25	G 3/8 A	017-520366			017-520066	RT 116
1 → 10	0.3	22	25	G 3/8 A		017-520466	017-519966		RT 116
4 → 17	1.2 → 4	22	28	G 3/8 A	017-525566			017-525366	RT 5
4 → 17	1.2	22	28	G 3/8 A		017-509466 <sup>2)</sup>			RT 5
4 → 17	1.2 → 4	22	28	G 3/8 A <sup>1)</sup>	017-504666 <sup>2)</sup>				RT 5A
4 → 17	1.2	22	28	G 3/8 A <sup>1)</sup>		017-504766 <sup>2)</sup>			RT 5A
10 → 30	1 → 4	42	47	G 3/8 A <sup>1)</sup>	017-529566			017-529666	RT 117

<sup>1)</sup> Supplied with  $\varnothing 6/\varnothing 10$  mm weld nipple.

<sup>2)</sup> With seal cap

Pressure switches with adjustable neutral zone

Regulation range ( $p_e$ ) bar	Mechanical differential bar	Adjustable neutral zone bar	Max. operating pressure, PB bar	Max. test pressure $p'$ bar	Pressure connection	Code no.	Type
-0.8 → 5	0.2	0.2 → 0.9	22	25	G 3/8 A <sup>1)</sup>	017L003366	RT 1AL
0.2 → 3	0.08	0.08 → 0.2	7	8	G 3/8 A	017L001566	RT 110L
0.2 → 6	0.25	0.25 → 0.7	22	25	G 3/8 A	017L003266	RT 200L
4 → 17	0.35	0.35 → 1.4	22	25	G 3/8 A <sup>1)</sup>	017L004066	RT 5AL
10 → 30	1	1 → 3.0	42	47	G 3/8 A	017L004266	RT 117L

<sup>1)</sup> Supplied with  $\varnothing 6/\varnothing 10$  mm weld nipple

Differential pressure switches

Regulation range $\Delta p$ bar	Mechanical differential bar	Adjustable neutral zone bar	Operation range bar	Max. operating pressure, PB bar	Max. test pressure $p'$ bar	Pressure connection ISO 228/1	Code no.	Type
0 → 0.9	0.05	0.05 → 0.23	-1 → 6	7	8	G 3/8 A <sup>1)</sup>	017D008166	RT 266AL
0.1 → 1.0	0.05	0.05 → 0.23	-1 → 6	7	8	G 3/8 A <sup>1)</sup>	017D004566	RT 263AL
0.1 → 1.5	0.1	0.1 → 0.33	-1 → 9	11	13	G 3/8 A <sup>1)</sup>	017D004366	RT 262AL
0.1 → 1.5	0.1		-1 → 9	11	13	G 3/8 A <sup>1)</sup>	017D002566	RT 262A
0 → 0.3	0.035		-1 → 10	11	13	G 3/8 A <sup>1)</sup>	017D002766 <sup>2)</sup>	RT 262A
0.5 → 4	0.3	0.3 → 0.9	-1 → 18	22	25	G 3/8 A <sup>1)</sup>	017D004866	RT 260AL
0.5 → 4	0.3		-1 → 18	22	25	G 3/8 A <sup>1)</sup>	017D002166	RT 260A
0.5 → 6	0.5		-1 → 36	42	47	G 3/8 A <sup>1)</sup>	017D002366	RT 260A
1.5 → 11	0.5		-1 → 31	42	47	G 3/8 A	017D002466	RT 260A
1 → 6	0.5		-1 → 36	42	47	G 3/8 A <sup>1)</sup>	017D007266 <sup>3)</sup>	RT 265A

<sup>1)</sup> Supplied with  $\varnothing 6/\varnothing 10$  mm nipple. <sup>2)</sup> Non-snap action contacts (see spare parts and accessories, contact system 017-018166)

<sup>3)</sup> With SPST and SPDT contact system for alarm and cut off function at 0.8 and 1 bar

Technical data and ordering

The designation letters mean:  
 A: Units suitable for the medium ammonia.  
 W: Units for control purposes.

B: Safety units with external reset  
 S: Safety units with internal reset

Pressure switches for steam plant, PED approved acc. to EN 12953-9 and EN 12922-11

Preferred versions

Regulation range ( $p_e$ = effective pressure)  bar	Adjustable/ fixed mechanical differential  bar	Max. operating pressure PB  bar	Max. test pressure $p'$  bar	Pressure connection ISO 228/1	Code no.			Type

For rising pressure

0.1 → 1.1	0.07	7	8	G ½A	<b>017-528266</b>			RT 112W
0 → 2.5	0.1	7	8	G ½A	<b>017-528066</b>			RT 35W
1 → 10	0.8	22	25	G ½A	<b>017-518766</b>			RT 30AW
1 → 10	0.4	22	25	G ½A		<b>017-518866</b>		RT 30AB
1 → 10	0.4	22	25	G ½A		<b>017-518966</b>		RT 30AS
5 → 25	1.2	42	47	G ½A	<b>017-518166</b>			RT 19W
5 → 25	1	42	47	G ½A		<b>017-518266</b>		RT 19B
5 → 25	1	42	47	G ½A		<b>017-518366</b>		RT 19S

For falling pressure

0 → 2.5	0.1	7	8	G ½A			<b>017-526266</b>	RT 33B
2 → 10	0.3 → 1	22	25	G ½A	<b>017-526766</b>			RT 31W
2 → 10	0.3	22	25	G ½A			<b>017-526866</b>	RT 31B
2 → 10	0.3	22	25	G ½A			<b>017-526966</b>	RT 31S
5 → 25	0.8 → 3	42	47	G ½A	<b>017-524766</b>			RT 32W
5 → 25	0.4	42	47	G ½A			<b>017-524866</b>	RT 32B

Pressure switch for low pressure steam plant (pressure monitoring)- not PED approved

0.1 → 1.1	0.07 → 0.16	7	7	G ½A	<b>017-518466</b>			RT 112
-----------	-------------	---	---	------	-------------------	--	--	--------

Approvals

RT 1	RT 1A RT 5A RT 121	RT 1AL	RT 5	RT 30AW RT 30AB RT 30AS RT 19W RT 19B RT 19S	RT 31W RT 31B RT 31S RT 32W RT 32B	RT 33B RT 35W RT 112W	RT 110	RT 112	RT 113	RT 116 RT 117 RT 200	RT 117L RT 200L	RT 260A RT 262A RT 265A RT 260AL RT 262AL RT 263AL RT 266AL	Approvals
x	x	x	x	x	x	x	x	x	x	x	x	x	CE marked acc. to EN 60947-4/-5
				x	x	x							VD Tüv, Germany
							x	x	x	x			Det Norske Veritas, Norway
			x				x	x		x			Lloyds Register of Shipping, UK
x			x	x			x	x		x			Germanischer Lloyd, Germany
			x				x	x	x	x			Bureau Veritas, France
x	x	x	x	x	x	x	x	x	x	x	x	x	Registro Italiano Navale, Italy
x	x	x	x	x	x	x	x	x	x	x	x	x	RMRS, Russian Maritime Register of shipping
x	x		x				x	x	x	x			Nippon Kaiji Kyokai, Japan
x	x	x	x	x	x	x	x	x	x	x	x	x	CCC, China Compulsory Certificate

Note: in addition we refer to the certificates, the copies of which can be ordered from Danfoss

All RT are

- CE marked in accordance with EN 60947-4/-5 for sale in Europe
- Further, the RT 19, RT 30, RT 35, RT 112 W, RT33, RT31 and RT32 series is CE markd in accordance with PED 97/23/EC, category IV, safety equipment.

Technical data

Designation	RT pressure switches
Ambient temperature	In general -50 to 70°C; Diaphragm version -10 to 70°C VD TÜV approved -40 to 70°C
Media temperature	In general -40 to 100°C; Diaphragm version -10 to 90°; VD TÜV appr. -40 to 150°C, see page 6 (Steam plant)
Contact system	<p>Single-pole changeover switch (SPDT)</p>
Contact load	<p><b>Alternating current:</b> AC-1: 10A, 400 V AC-3: 4A, 400 V AC-15: 3A, 400 V</p> <p><b>Direct current:</b> DC-13: 12 W, 230 V (see fig. 6)</p>
Contact material:	AgCdO
Special contact system	See "accessories" page 15
Cable entry	2 PG 13.5 for 6 - 14 mm diameter cables
Enclosure	IP 66 acc. to IEC 529 and EN 60529. Units supplied with external reset. IP 54. The thermostat housing is made of bakelite acc. to DIN 53470 Cover is made of polyamide.

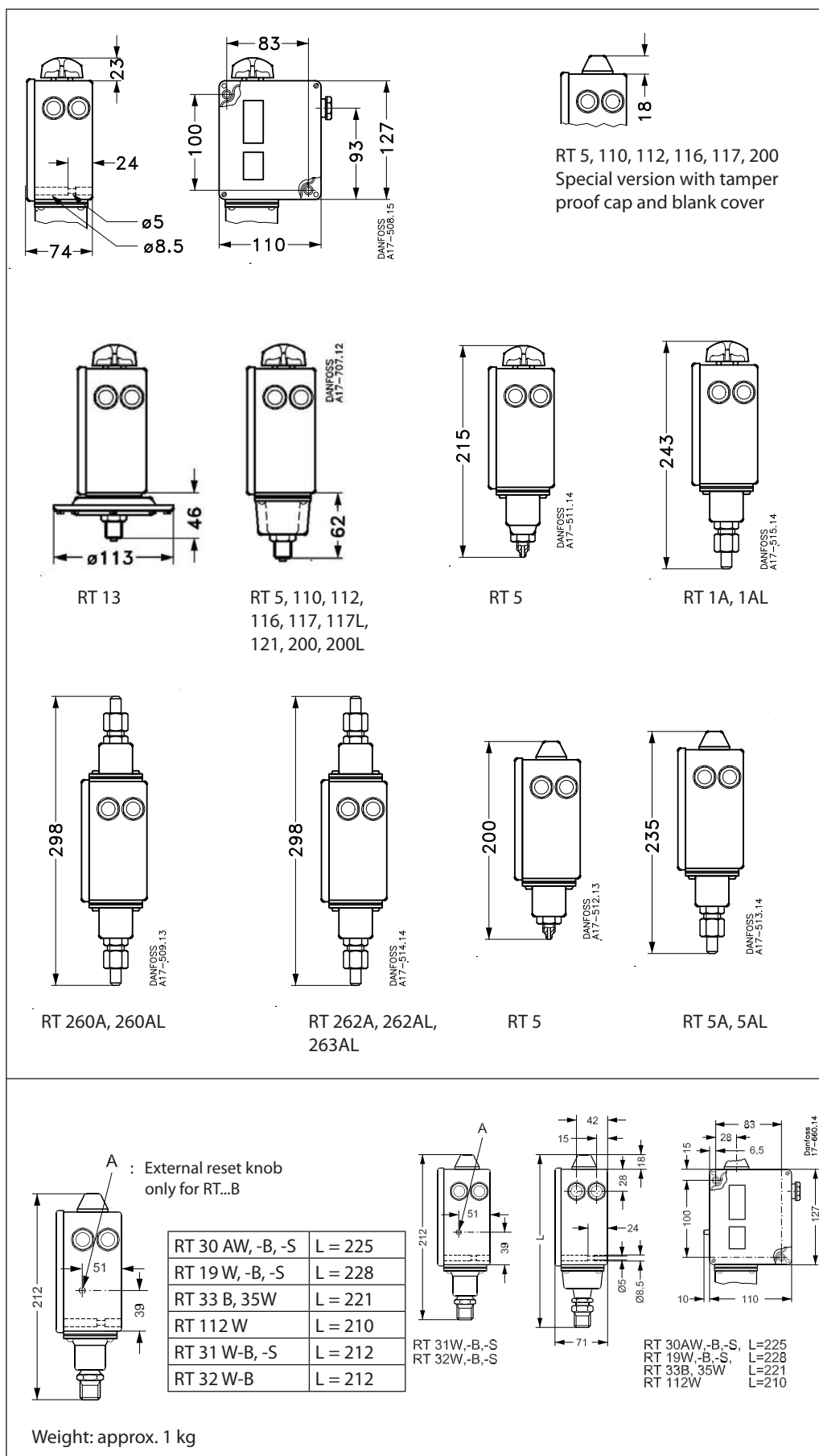
Materials in contact with the medium

Material	Part	W.no.	DIN	RT 1	RT 1A	RT 5	RT 5A	RT 110	RT 112	RT 113	RT 116	RT 117	RT 121	RT 200/200 L	RT 260A	RT 262A/262 AL	RT 260AL	RT 265A	RT 263AL/266AL
Stainless steel 18/8	Bellows	1.4301	17440	x	x	x	x	x	x		x	x	x	x	x	x	x	x	x
Stainless steel 17/7	Spring	1.4568	17224	x						x		x	x	x					
Brass	Housing	2.0402	17660			x		x	x		x	x	x	x					
Brass	Bellows ring	2.0321	17660			x		x	x		x	x	x	x					
Free-cutting steel	Flare connection	1.0718	1651	x															
Deep-drawn steel (nick.plated surface)	Housing	1.0338	1623	x	x		x								x	x	x	x	x
Non-alli. carbon steel C 20	Weld connect. for connection	1.0402	1652		x		x								x	x	x	x	x
Aluminium	Gasket	3.0255	1712		x		x			x					x	x	x	x	x
Case hardening steel C 15	Weld connection Bellows connect.	1.0401	1652																
Stainless steel	Spring guide + screw	1.4305	17440																
NBR rubber	Diaphragm									x									
Deep-drawn steel (surface DIN 50961 weld connection Fe/Zn 5C)	Diaphragm housing with welded connector	1.0338	1623							x									
Spring thread	Spring	1.1250	17223		x														

Materials in contact with the medium, PED approved controls

Material	Part	W.no.	DIN	RT 19W B,S	RT 30AW AB, AS	RT 31W B,S	RT 32W B	RT 33B 35W	RT 112 W
Stainless steel 18/8	Bellows	1.4301	17440	x	x	x	x	x	x
Stainless steel 17/7	Orifice	1.4305	17440	x	x				
Steel C 15	Connector	1.0401	1652	x	x				
Deep-drawn steel + Ni	Bellows ring	1.0338	1623	x	x	x	x	x	x
Stainless steel 17/7	Bellows spring	1.4568	17224		x			x	
Stainless steel	Ring	1.4305	17440		x				
Deep-drawn steel + Ni	Housing	1.0338	1623	x	x	x	x	x	x
Stainless steel	Bellows connect.	1.4305	17440			x			
Stainless, weldable free-cutting steel	Connector	1.4301	17440			x	x	x	x
Deep-drawn steel + Sn	Spring guide	1.0338	1623					x	
Brass	Housing	2.0402	17660						
Brass	Bellows ring	2.0321	17660						

Dimensions and weight



**Installation**

RT units have two mounting holes which become accessible when the front cover is removed. Units fitted with switch 017-018166\*) must be installed with the setting knob upwards. When installing differential pressure switches, the low pressure side (marked LP) must be installed upwards. The other pressure switches in the RT series can be installed in any position, except that on plant subjected to severe vibrations it is advantageous to have the screwed cable entry downwards.

\*) Contact system with snap-action contact. See spare parts and accessories, page 13.

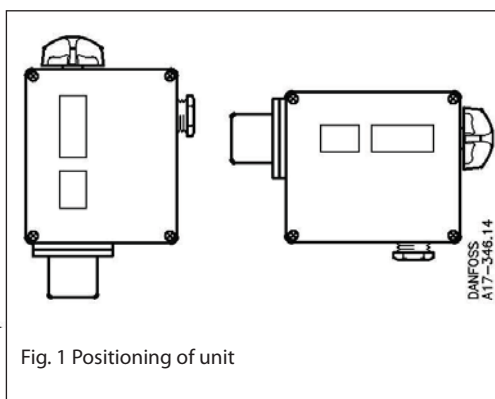


Fig. 1 Positioning of unit

*Pressure connection*

When fitting or removing pressure lines, the spanner flats on the pressure connection should be used to apply counter-torque.

*Steam plant*

To protect the pressure element against temperature in excess to the maximum temperature of the medium 150°C (RT 113 90°C), the insertion of water-filled loop is recommended.

*Water systems*

Water in the pressure element is not harmful, but if frost is likely to occur a water-filled pressure element may burst. To prevent this happening, the pressure control can be allowed to operate on an air cushion.

*Media resistance*

See table of materials in contact with the medium. If seawater is involved, diaphragm pressure switches types KPS 43, 45 and 47 are recommended.

*Pulsations*

The pressure control must be connected in such a way that the pressure element is affected by pulsations as little as possible. A damping coil can be inserted (see "Accessories"). With strongly pulsating media, diaphragm pressure switches types KPS 43, 45 and 47 can be advantageous.

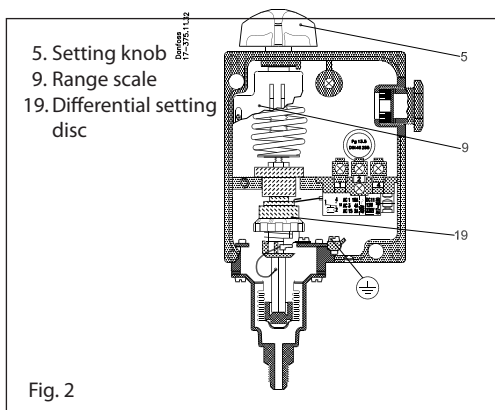


Fig. 2

*Setting*

The range is set by using the setting knob (5) while at the same time reading the scale (9). Tools must be used to set pressure switches fitted with a seal cap.

In units having a fixed differential, the difference between cut-in and cut-out pressures is of course determined. On units having an adjustable differential the front cover must be removed. The differential disc (19) must be set in accordance with the diaphragm.

	1	2	3	4	5	6	7	8	9	10	
RT 1	0.5	0.7	0.9	1.1	1.3	1.5	1.8				bar
RT 1A (017-5001)											
RT 1A (017-5007)	1.5	1.5	1.7	1.9	2.1	2.3	2.4				bar
RT 5	1.2	1.6	2.0	2.4	2.8	3.2	3.6	4.0			bar
RT 5A (017-5267)	0.5	0.4	0.5	0.6	0.7	0.8	0.9	1.0			bar
RT 32W (017-5247)	0.8	1.2	1.6	2.0	2.4	2.8	3.0				bar
RT 110	0.08	0.11	0.14	0.17	0.20	0.23	0.25				bar
RT 112	0.07	0.085	0.10	0.115	0.13	0.145	0.16				bar
RT 113	0.01	0.02	0.03	0.04	0.05						bar
RT 116	0.3	0.5	0.7	0.9	1.1	1.3					bar
RT 121	0.09	0.15	0.2	0.25	0.3	0.35	0.4				bar
RT 200	0.25	0.4	0.6	0.8	1.0	1.2					bar
RT 117	1.0	1.3	1.5	2.0	2.5	3.5	4.0				bar

Min. 1 2 3 4 5 6 7 8 9 Max. 10  
= 0.0216

Fig. 3 Obtainable differential disc scale

*Selection of differential*

To ensure that the plant functions properly, a suitable differential pressure is necessary. Too small a differential will give rise to short running periods with a risk of hunting. Too high a differential will result in large pressure oscillations.

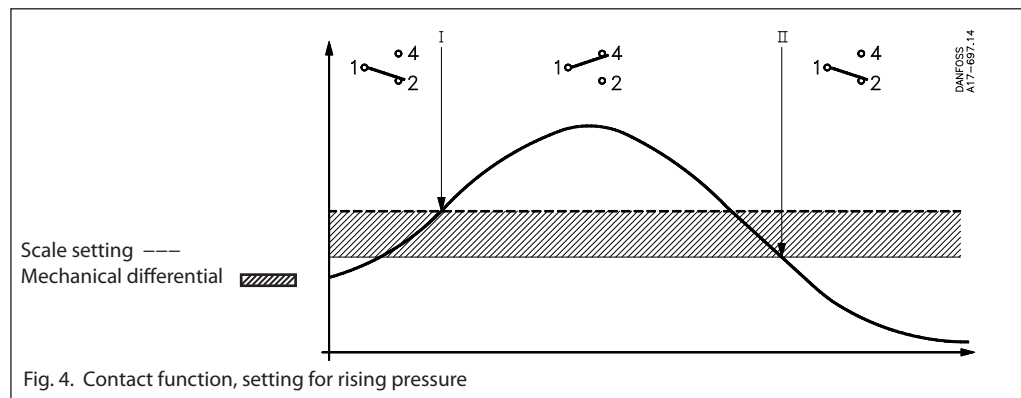
Differential scale values are guiding



**Function**

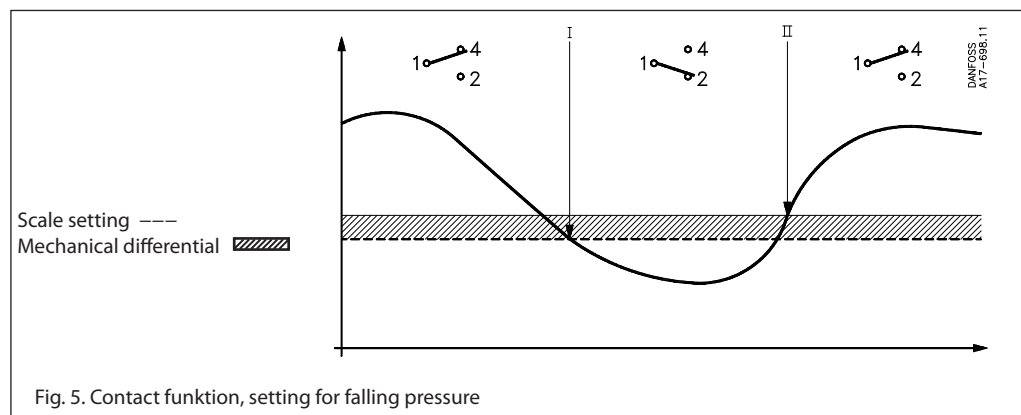
a. RT 19, RT 30, and pressure switches with max. reset  
 When the pressure exceeds the set range value, contacts 1-4 make and contact 1-2 brake. The contacts changeover to their initial position when the pressure falls to the range value minus the differential (see fig. 4).

- I. Alarm for rising pressure given at the set range value.
- II. Alarm for falling pressure given at the set range value minus the differential.  
 Units with max. reset can only be reset at a pressure corresponding to the set range value minus the differential, or a lower pressure.



b. All other RT pressure switches  
 When the pressure falls to the set range value, contacts 1-2 make and contacts 1-4 brake. The contacts changeover to their original position when the pressure again rises to the set range plus the differential (see fig. 5).

- I. Alarm for falling pressure given at the set range value.
- II. Alarm for rising pressure given at the set range value plus the differential.  
 Units with min. reset can only be reset at a pressure corresponding to the set range value plus the differential.



**Example 1**  
 An extra cooling water pump must start if the cooling water pressure falls below 6 bar, and must stop when the pressure exceeds 7 bar. Choose an RT 116 with a range of 1-10 bar and an adjustable differential of 0.2-1.3 bar. The start pressure of 6 bar must be set on the range scale. The differential must be set as the difference between the stop pressure (7 bar) and the start pressure (6 bar) = 1 bar. According to fig. 3, the differential setting disc must be set on 8.

The range is 5-25 bar and the differential is fixed at approx. 1 bar. The range scale must be set at 17 bar. After cut-out of the burner, manual reset is possible only when the pressure had fallen to the setting of 17 bar minus the differential: in this case, 16 bar and below.

**Example 2**  
 The burner on a steam boiler must cut out when the pressure exceeds 17 bar. Automatic restart must not occur. Choose an RT 19B with external reset. If extra safety is demanded, an RT 19S with internal max. reset can be used.

**Example 3**  
 The min. permissible lubricating oil pressure for a gear is 3 bar. Reset must not be possible until the reason for oil pressure failure has been investigated. Choose an RT 200 with min. reset. The range value must be set while reading the range scale. Manual reset is possible only when the pressure has reached 3.2 bar (the differential is fixed at 0.2 bar or higher).

**Functional description of RT units with fail-safe design**
*Fail-safe function for falling pressure*

Fig. 5a shows a cross-section of a bellows element for the RT 32W with fail-safe function for falling pressure. On rising pressure the contact arm is actuated to break the connection between terminals 1 and 2.

On falling pressure the contact arm is actuated to break the connection between terminals 1 and 4. If a defect occurs in the bellows the setting spring actuates the contact arm to break the connection between terminals 1 and 4, as in the case of falling pressure. This will occur irrespective of the pressure on the bellows.

*Fail-safe function for rising pressure*

Fig. 5b shows a cross-section through a bellows element for the RT 30W with fail-safe for rising pressure. On rising pressure the contact arm is actuated to break the connection between terminals 1 and 2. If a defect occurs in the inner bellows the pressure is led to the outer bellows. The outer bellows has an area three times as large as the inner bellows. The connection between terminals 1 and 2 becomes broken.

If a defect occurs in the outer bellows, there will be atmospheric pressure in the gap between the two bellows. This actuates the contact system to break the connection between terminals 1 and 2. The important factor with the double bellows design is the vacuum between the two bellows, and that in case of bellows break, no media will leak into the environment.

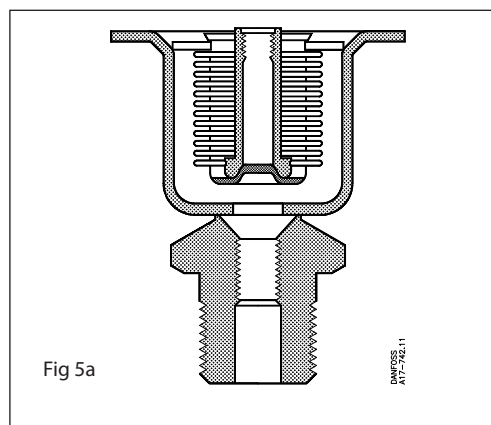


Fig 5a

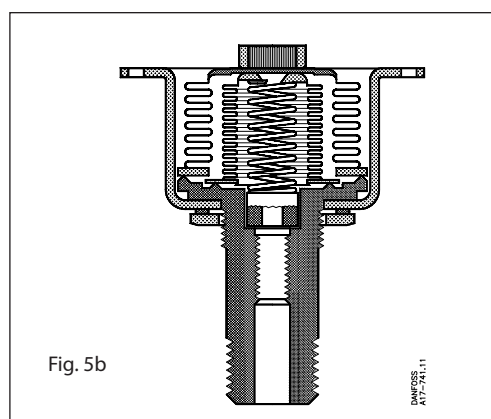
 DANFOSS  
ATP-742.11


Fig. 5b

 DANFOSS  
ATP-742.11

**Pressure switches for liquid level control RT 113**

The RT 113 pressure switch can be used to control the liquid level in open tanks. Fig. 6 shows in principle, four different types of installation.

*1. With air bell (see "Accessories")*

For control purpose, the air bell should be installed 20 to 40 mm below the lowest liquid level. In addition, the tube between the RT 113 and the air bell must be absolutely airtight. If only an indication is required, the bell can be placed 100 mm below the max. level. The RT 113 must be set at 0 cm wg and the differential disc on 1.

*2. Connection to the side of the tank with the RT 113 above the liquid level*

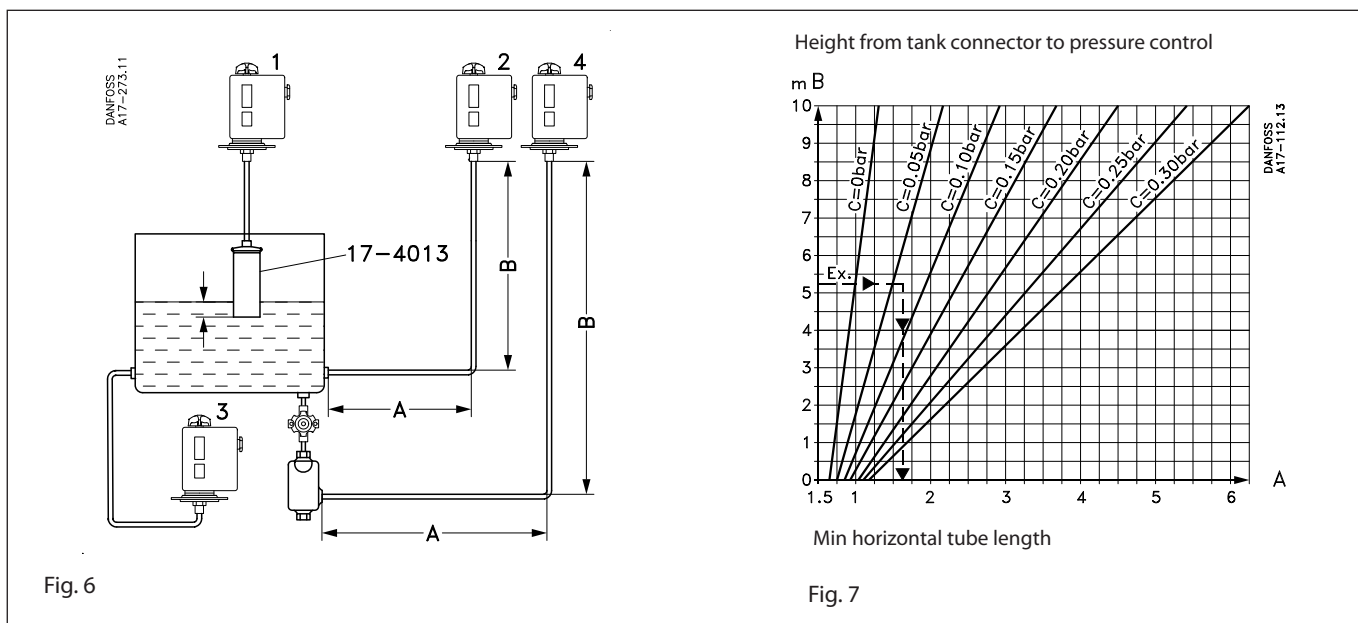
The horizontal tube A must have a certain length in relation to the vertical tube B in order to ensure reliable control. The length of A can be found from fig. 7, using B and the range setting pressure C.

*3. Connection to the side of the tank with the RT 113 below the liquid level*

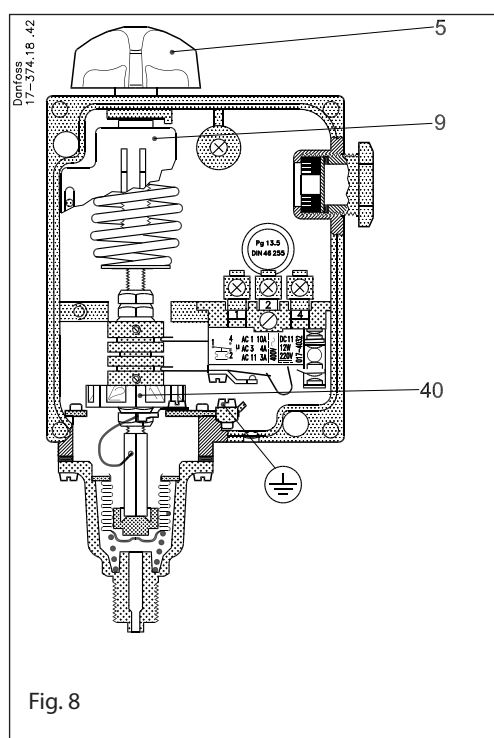
Where possible, this form of connection should be used. If an air-absorbing liquid like oil is involved, it is preferable to 1 and 2. The resulting range setting is the distance from the liquid surface to the centre of the diaphragm housing.

*4. Connection in the tank with the RT 113 above the liquid level*

This method is for use with air-absorbing liquids where connection type 3 is not possible. The shortest horizontal tube length is determined as described in 2. A shut-off valve is installed between the oil tank and water reservoir shown so that impurities can be drained from the water reservoir through a bottom drain plug. Fresh water can then be poured into the reservoir through a filling connector in its top.



Application



- 5. Setting knob
- 9. Range scale
- 40. Neutral zone disc

RT-L pressure switches are fitted with a switch with an adjustable neutral zone. This enables the units to be used for floating control. The terminology involved is explained below.

*Floating control*

A form of discontinuous control where the correcting element (e.g. valve, damper, or similar) moves towards one extreme position at a rate independent of the magnitude of the error when the error exceeds a definite positive value, and towards the opposite extreme position when the error exceeds a definite negative value.

*Hunting*

Periodic variations of the controlled variable from the fixed reference.

*Neutral zone*

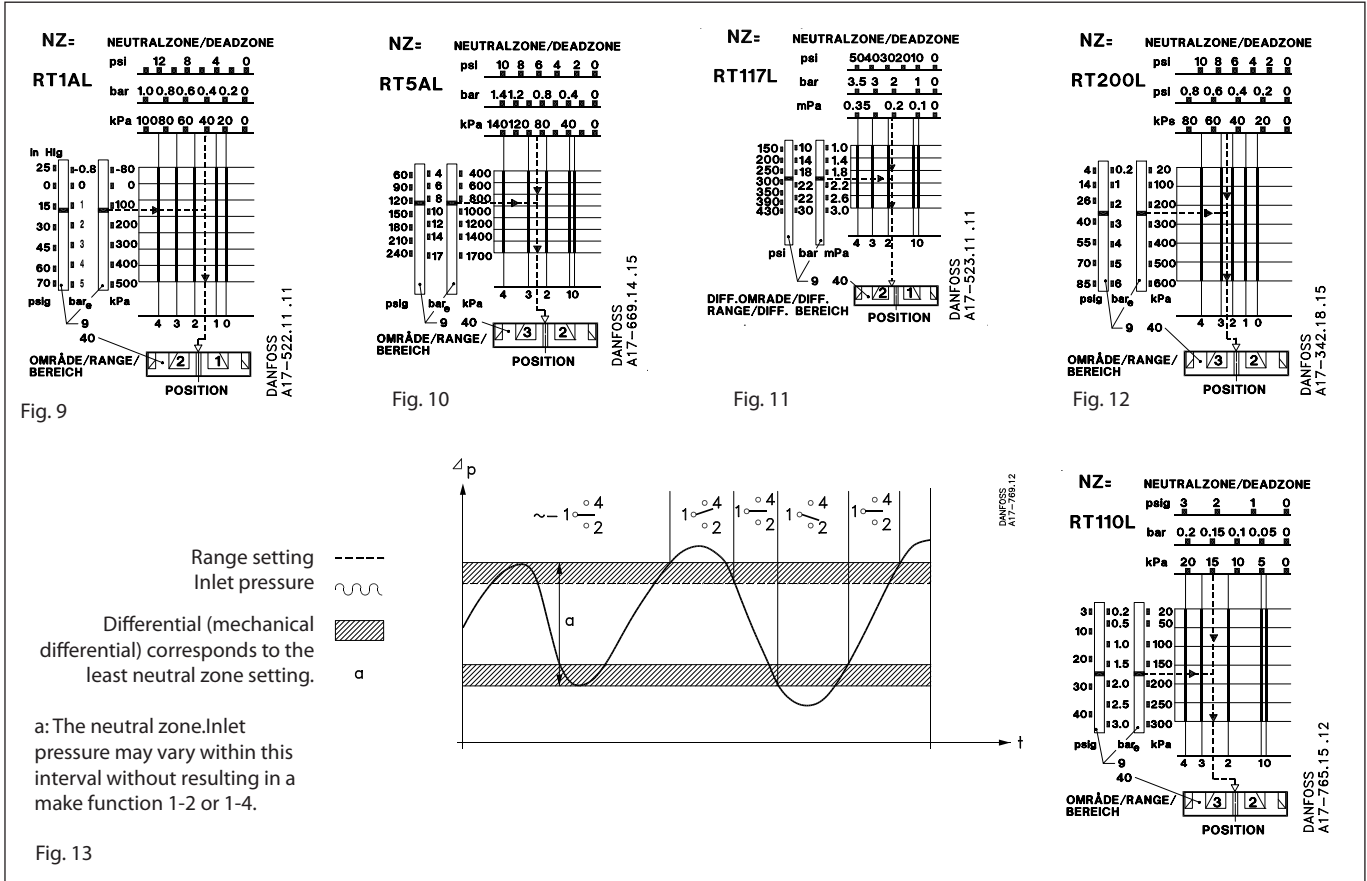
The interval in the controlled variable in which the correcting element does not respond (see fig. 13).

The contact system in neutral zone units cannot be exchanged, as the contact system adjustment is adjusted to the other parts of the unit.

Setting of neutral zone

The range is set using the setting knob (5) fig. 8 while reading the range scale (9). The pressure set is the break pressure for contacts 1-4 (see fig. 13).

The required neutral zone can be found in the diagram for the unit concerned. The position at which the neutral zone disc (40) must be set can be read from the lower scale in the diagram. The function can be seen in fig. 13.



Example

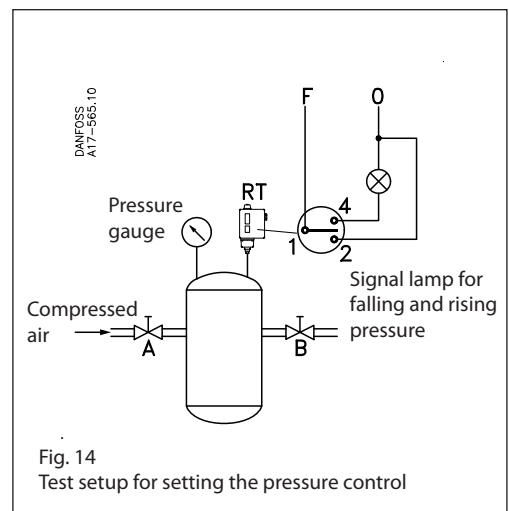
Together with a VLT® static frequency converter, RT 200L neutral zone pressure switches can be used for the infinite control of a pump in, for example, a pressure boosting plant.

In this case, the pump must be up and down-regulated at 32 and 25 m wg.

The RT 200L must be set using the setting knob (5) fig. 8 page 9 at 3.5 bar (35 m wg) minus the fixed differential of 0.2 bar.

The range setting is 3.5 - 0.2 = 3.3 bar.

The neutral zone, 35 - 32 = 3 m wg, corresponding to 0.3 bar, must be set on the neutral zone disc (40) fig. 8 page 9. According to the diagram fig. 12 the disc setting is 1 or just over. A more accurate setting can be obtained by using the test setup shown in fig. 14.

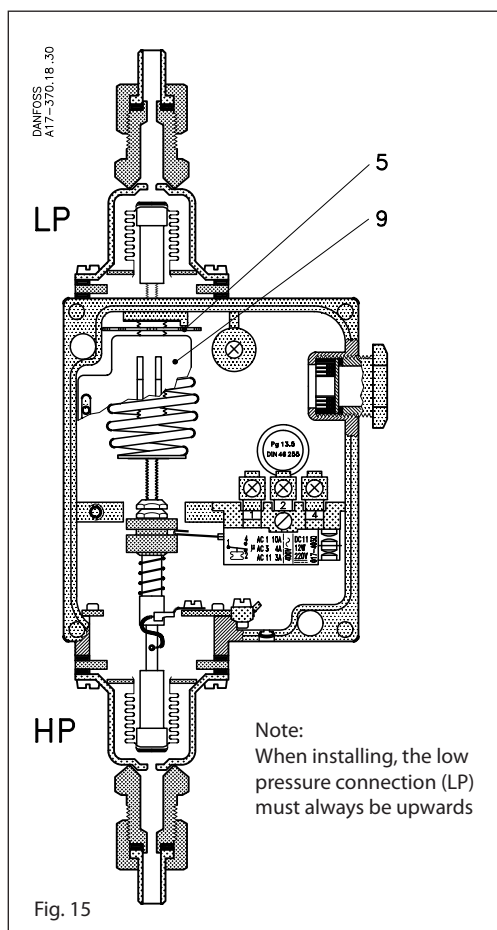


**Application**

Control and monitoring of pressure differentials  
A differential pressure control is a pressure controlled switch that cuts in and cuts out the current dependent on the pressure differential

between the counteracting bellows elements and the set scale value. This unit is also available with an adjustable neutral zone (like the RT-L which is described on page 12.

**Setting**



5. Setting disc  
9. Range scale

The setting disc (5) becomes accessible when the front cover is removed. The differential pressure is set by turning the disc with a screwdriver while reading the scale (9).

For differential pressure switches with a changeover contact system, the contact differential is given as the differential pressure switches have a fixed differential.

In units with an adjustable neutral zone, the neutral zone disc must also be set. See diagram in fig. 16.

Fig. 15

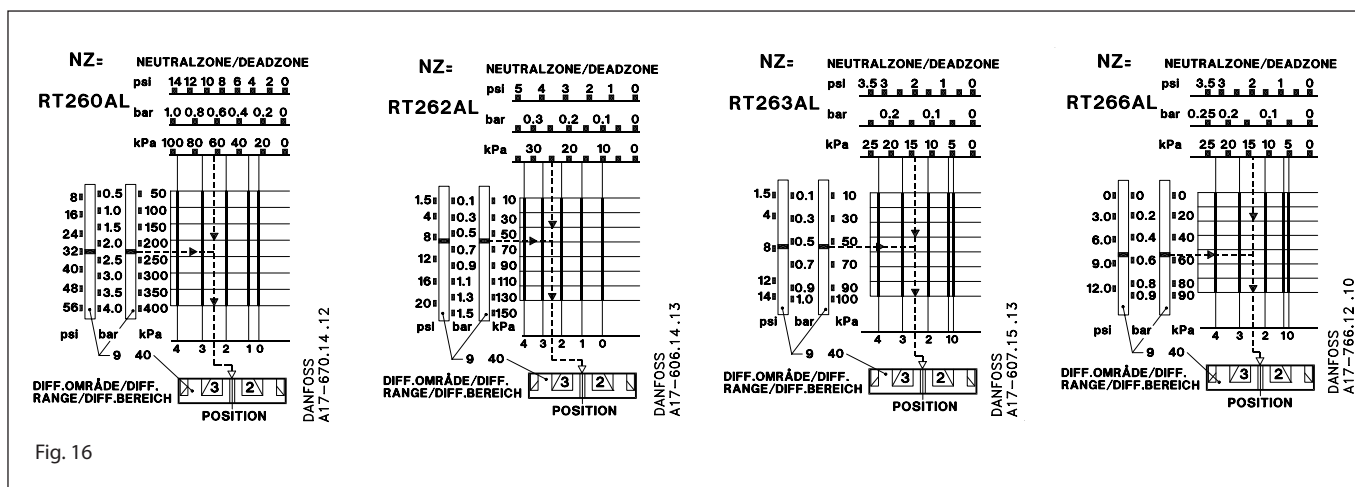


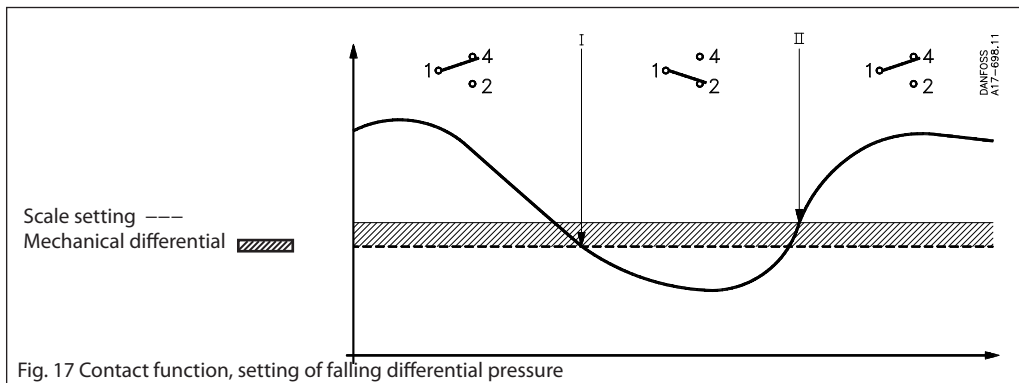
Fig. 16

**Function**

*a. Units with changeover switch (SPDT)*

If the differential pressure falls below the set value, contacts 1-2 make and contacts 1-4 break. Contacts 1-2 break again and contacts 1-4 make when the differential pressure has risen to the set range value plus the fixed contact differential.

- I. Contacts make when differential pressure falls below the range scale setting.
- II. Contacts make when pressure rises above the range scale setting plus the fixed mechanical differential.

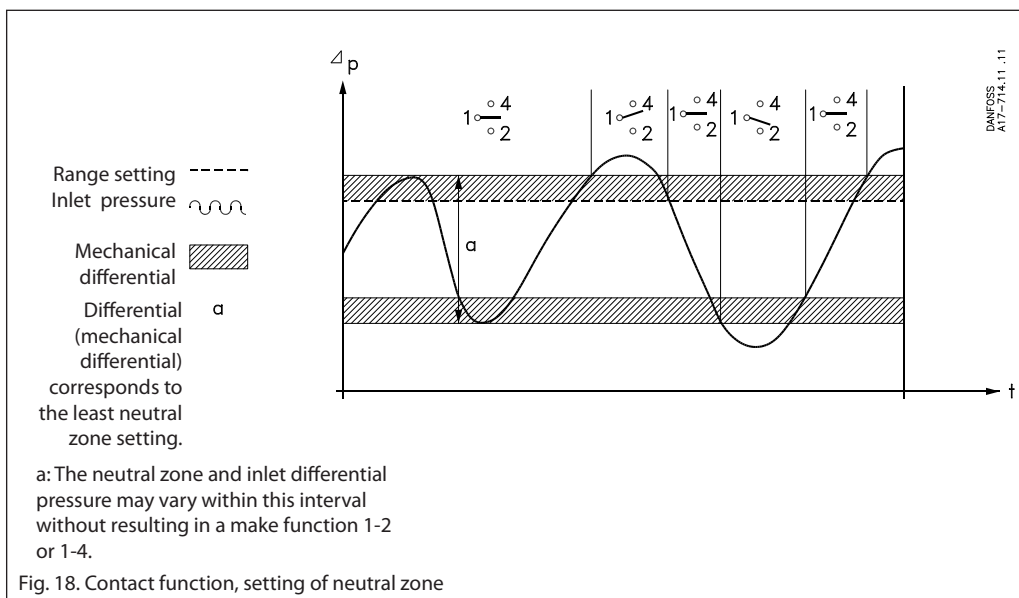


*b. Units with adjustable neutral zone (SPDTNP)*

If the differential pressure rises above the set value plus the differential, contacts 1-4 make. If the pressure falls by the amount of the differential (which is fixed in this unit), contacts 1-4 break. If the pressure falls to the neutral zone minus the differential, contacts 1-2 make. When the differential pressure rises again by an amount corresponding to the differential, contacts 1-2 break again.

The contact function can be summed up as follows:

- I. Setting disc set for falling differential pressure.
- II. Neutral zone disc set for rising differential pressure.



**Example 1**

When the differential pressure exceeds 1.3 bar, a filter needs cleaning. The static pressure over the filter is 10 bar. According to the ordering table on page 4, the choice is an RT 260A (the RT 262A has a max. operating pressure on the low pressure side (LP) of 6 bar and is therefore not suitable for this application). Setting: Since a signal is required for rising differential pressure, the setting becomes 1.3-0.3 bar = 1.0 bar.

**Example 2**

The speed of a circulation pump must be controlled to give a constant differential pressure of 10 m wg in a heating plant. The static plant pressure is 4 bar. The choice is an RT 262AL. The differential disc (5) fig. 15 page 13, must be set at 1 bar (10 m wg) minus the fixed differential of 0.1 bar, i.e. 0.9 bar. The neutral zone disc is factory-set (marked in red).

## Spare parts and accessories

Version	Symbol	Description	Contact rating	Code no.
Standard		Single-pole changeover switch (SPDT) with terminal board proof against leakage current <b>Fitted in all standard versions of type RT<sup>1)</sup>.</b> Snap action changeover contacts.		<b>017-403066</b>
With max. reset		For manual reset of unit after contact changeover on rising pressure <b>For units with max. reset.</b>	<i>Alternating current:</i> AC-1 (ohmic): 10 A, 400 V AC-3 (inductive): 4 A, 400 V AC-14/15 (coil/transformer): 3 A, 400 V Blocked rotor: 28 A, 400 V <i>Direct current:</i> DC 13/14: 12 W, 230 V	<b>017-404266</b>
With min. reset		For manual reset of units after contact changeover on falling pressure. <b>For units with min. reset.</b>		<b>017-404166</b>
Standard		Single-pole changeover switch (SPDT) with gold plated (oxide-free) contact surfaces. Increases cut-in reliability on alarm and monitoring systems, etc. Snap action changeover contacts. Terminal board proof against leakage current.	<i>Alternating current</i> AC-1 (ohmic): 10 A, 400 V AC-3 (inductive): 2 A, 400 V AC-14/15: 1 A, 400 V Blocked rotor: 14 A, 400 V <i>Direct current:</i> DC-13/14: 12 W, 230 V	<b>017-424066</b>
Cuts in two circuits simultaneously		Single-pole changeover switch that cuts in two circuits simultaneously on rising pressure. Snap action changeover contacts. Terminal board proof against leakage current.	<i>Alternating current:</i> AC-1 (ohmic): 10 A, 400 V AC-3 (inductive): 3 A, 400 V AC-14/15: 2 A, 400 V Blocked rotor: 20 A, 400 V <i>Direct current:</i> DC-13/14: 12 W, 230 V  * If current is led through contacts 2 and 4, i.e. terminals 2 and 4 connected but not 1, max. permissible load is increased to 90 W, 220 V - - -.	<b>017-403466</b>
With non-snap action changeover contacts		Single-pole changeover with non-snap action changeover gold plated (oxide-free) contacts.	<i>Alternating or direct current:</i> 25 VA, 24 V	<b>017-018166</b>

<sup>1)</sup> At load types with low currents/voltages contact failure may occur on the silver contacts because of oxidation. In systems where such a contact failure is of great importance (alarm etc.), gold plated contacts are recommended.

**Contact systems for neutral zone units are not available as spare parts. Exchange not possible, as the contact system adjustment is adjusted to the other parts of the unit.**

The switch contacts are shown in the position they assume on falling pressure/temperature, i.e. after downward movement of the RT main spindle. The setting pointer of the control shows the scale value at which contact changeover occurs on falling pressure/temperature. An exception is switch no. 017-403066 with max. reset where the setting pointer shows the scale value at which contact changeover occurs on rising pressure.

## Switches

Version	Symbol	Description	Contact rating	Code no.
With min. manual reset		For manual reset of unit after contact changeover on falling pressure. Gold plated (oxide-free) contact surfaces	<i>For Alarm application</i> <i>Alternating current:</i> AC-1 (ohmic): 10 A, 400 V AC-3 (inductive): 2 A, 400 V Full load current: 2 A, 400 V AC-14/15: 1 A, 400 V Blocked rotor: 14A, 400 V	<b>017-404766</b>
With max. reset		For manual reset of unit after contact changeover on rising pressure. Gold plated (oxide-free) contact surfaces	<i>Direct current</i> DC-13/14: 12W, 230 V  <i>For control application</i> max. 100 mA / 30 V a.c./ d.c. min. 1 mA / 5 V a.c./ d.c.	<b>017-404866</b>

Part		Description	Qty.	Code no.
Cover		Covers: Polyamide	5	<b>017-436166</b>
		Colour: Pale grey RAL 7035	5	<b>017-436266</b>
Setting knob		Replacement Pale grey Ral 7035	30	<b>017-436366</b>
Seal cap		Seal cap to replace setting knob so that Setting can only be altered with tools	20	<b>017-436066</b>
Seal screws for cover and seal cap			1 + 1	<b>017-425166</b>
Clamping band		For all RT pressure switches with damping coil or other longer connections L= 392 mm	10	<b>017-420466</b>
Connecetor with nipple		Pipe thread ISO 228/1, G3/8 connector, nipple and AL washer (10 mm ext. 6.5 mm int. diam.) for welding or brazing on to steel or copper tubing	5	<b>017-436866</b>
Connector		7/16 - 20 UNF connector for ¼ copper tube, brass, span of jaws 16	10	<b>011L1101</b>
Reducer		Pipe thread ISO 228/1, G½A × G3/8, steel, span of jaws 22	1	<b>017-421966</b>
Adaptor		Pipe thread ISO 228/1, G3/8 × 3/8 - 27 NPT with copper washer, brass, span of jaws 22	1	<b>060-333466</b>
Adaptor		Pipe thread ISO 228/1, G3/8 A × ¼ - 18 NPT with copper washer, brass, span of jaws 22	1	<b>060-333566</b>
Adaptor		Pipe thread ISO 228/1, G3/8 × ¼ - 18 NPT with copper washer, brass, span of jaws 22	1	<b>060-333666</b>
Adaptor		Pipe thread ISO 228/1, G3/8 A - G ¼ A, brass, span of jaws 17	1	<b>060-324066</b>
Adaptor		Pipe thread ISO 228/1, G3/8 A × R3/8 (ISO 7/1) brass, span of jaws 17	1	<b>060-324166</b>
Damping coil		Damping coil with 7/16 - 20 UNF connectors. Reducer code no. 017-420566 is necessary if the damping coil is to be used with RT units having a pipe thread ISO 228/1, G3/8 connection. Damping coils with several lengths of capillary tubes are available. Please contact Danfoss.	1	<b>060-019066</b> <b>060-019166</b> <b>060-019266</b> <b>060-019366</b>
Damping coil		Pipe thread ISO 228/1, damping coils with G3/8 connector and 1.5 m copper capillary tube. Standard washers are supplied.	1	<b>060-104766</b>
Armoured damping coil		Pipe thread ISO 228/1, damping coil with G3/8 connector and 1 m copper capillary tube. Standard washers are supplied.	1	<b>060-333366</b>
Air bell for liquid level control RT 113		Air bell, 62 mm diam. ext. × 204 mm length. Pipe thread ISO 228/1, G3/8 connector and nipple (10 mm o.d./ 6.5 mm i.d.) for welding or brazing on to steel or copper tubing. The air bell is of brass CuZn 37, W.no. 2.0321.	1	<b>017-401366</b>