

Data sheet

Pressure switch and Thermostat

KPS



The KPS Series consists of a series of pressure and temperature controlled switches. In this series, special attention has been given to meeting demands for a high level of enclosure, robust and compact construction, and resistance to shock and vibration.

For KPS pressure switches the position of the contacts depends on the pressure in the inlet connection and the set scale value.

For KPS thermostats the position of the contacts depends on the temperature of the sensor and the set scale value.

The series covers most outdoor as well as indoor application requirements and is suitable for use in monitoring alarm and control systems in factories, diesel plants, compressors, power stations and on board ships.

Features

- A high level of enclosure
- Adjustable differential
- Robust and compact construction
- Resistance to shock and vibration
- Available with all major marine approvals

Approvals

CE-marked in accordance with:
– LVD 2014/35/EU
(EN 60947-1, EN 60947-4-1, EN 60947-5-1)

Underwriters Laboratories Inc., US-UL (excluding KPS 39)
China Compulsory Certificate, CCC

Ship approvals

American Bureau of Shipping, ABS
Det Norske Veritas, DNV
Germanischer Lloyd, GL
Registro Italiano Navale, RINA (KPS 43, KPS 45, KPS 47, KPS 76, KPS 77, KPS 79, KPS 80, KPS 81, KPS 83)
Maritime Register of Shipping, RMRS

Nippon Kaiji Kyokai, NKK (KPS 31, KPS 33, KPS 35, KPS 37, KPS 39, KPS 43, KPS 45, KPS 47)
China Classification Society, CCS
Bureau Veritas, BV
Korean Register of Shipping, KR (KPS 35, KPS 37, KPS 39, KPS 43, KPS 45, KPS 47)
Lloyds Register of Shipping, LR

Overview

1. Standard pressure switches

[bar]								Range P _e [bar]	Type	Further information page
-1	0	10	20	30	40	50	60			
	■							0 – 2.5	KPS 31	3
	■	■						0 – 3.5	KPS 33	3
	■	■	■					0 – 8	KPS 35	3
		■	■	■				6 – 18	KPS 37	3
			■	■	■	■		10 – 35	KPS 39	3

2. Pressure switches for high pressure and strongly pulsating media

[bar]								Range P _e [bar]	Type	Further information page
-1	0	10	20	30	40	50	60			
		■	■	■	■			1 – 10	KPS 43	3
		■	■	■	■	■		4 – 40	KPS 45	3
			■	■	■	■	■	6 – 60	KPS 47	3

3. Thermostats

[°C]								Range P _e [°C]	Type	Further information page
-50	0	50	100	150	200	200				
	■	■						-10 – 30	KPS 76	11
		■	■					20 – 60	KPS 77	11
			■	■				50 – 100	KPS 79	11
				■	■			70 – 120	KPS 80	11
				■	■	■		60 – 150	KPS 81	11
					■	■		100 – 200	KPS 83	11

PRESSURE SWITCH

Technical data and ordering

1. Pressure switches



KPS 31, KPS 33



KPS 35, KPS 37, KPS 39

Type	Setting range P _e [bar]	Adjustable/ fixed differential [bar]	Permissible operating pressure P _e [bar]	Max. test pressure [bar]	Pressure connection	Code no.
KPS 31	0 – 2.5	0.1	6	6	G 1/4	060-311066
KPS 31	0 – 2.5	0.1	6	6	G 3/8 A	060-310966
KPS 33	0 – 3.5	0.2	10	10	G 1/4	060-310466
KPS 33	0 – 3.5	0.2	10	10	G 3/8 A	060-310366
KPS 35	0 – 8	0.4 – 1.5	12	12	G 1/4	060-310566
KPS 35	0 – 8	0.4 – 1.5	12	12	G 3/8 A	060-310066
KPS 35	0 – 8	0.4	12	12	G 1/4	060-310866
KPS 37	6 – 18	0.85 – 2.5	22	27	G 1/4	060-310666
KPS 37	6 – 18	0.85 – 2.5	22	27	G 3/8 A	060-310166
KPS 39	10 – 35	2.0 – 6	45	53	G 1/4	060-310766
KPS 39	10 – 35	2.0 – 6	45	53	G 3/8 A	060-310266

2. Pressure switches for high pressure and strongly pulsating media



KPS 43, KPS 45, KPS 47

Type	Setting range P _e [bar]	Adjustable diff. see also figs. 1, 2, and 3 [bar]	Permissible overpressure [bar]	Max. test pressure [bar]	Min. burst pressure [bar]	Pressure connection	Code no.
KPS 43	1 – 10	0.7 – 2.8	120	180	240	G 1/4	060-312066
KPS 45	4 – 40	2.2 – 11	120	180	240	G 1/4	060-312166
KPS 47	6 – 60	3.5 – 17	120	180	240	G 1/4	060-312266

When ordering, please state type and code number

Terminology

Range setting

The pressure range within which the unit will give a signal (contact changeover).

Differential

The difference between make pressure and break pressure (see also fig. 5 & 6, page 6).

Permissible overpressure

The highest permanent or recurring pressure the unit can be loaded with.

Max. test pressure

The highest pressure the unit may be subjected to when, for example, testing the system for leakage. Therefore, this pressure must not occur as a recurring system pressure.

Min. bursting pressure

The pressure which the pressure-sensitive element will withstand without leaking.

Technical data and ordering
(continued)

Switch	Single pole changeover (SPDT)	Contact material: Gold-plated silver contact	
Contact load (when Au surface is burnt away)	Alternating current	Ohmic	10 A, 440 V, AC-1
		Inductive	6 A, 440 V, AC-3
			4 A, 440 V, AC-15
	Starting current	max. 50 A (locked rotor)	
	Direct current	12 W, 220 V, DC-13, see curve, fig. 4, page 5	
Ambient temperature	KPS 31 – 39	-40 – 70 °C	
	KPS 43 – 47	-25 – 70 °C	
Temperature of medium ¹⁾	KPS 31 – 39	-40 – 100 °C	
	KPS 43 – 47	-25 – 100 °C	
Vibration resistance	Vibration-stable in the range 2 – 30 Hz, amplitude 1.1 mm og 30 – 300 Hz, 4 g.		
Enclosure	IP67 (including IPX6) according to EN 60529. The pressure switch housing is enamelled pressure die cast aluminium (GD-ALSi 12). The cover is fastened by four screws which are anchored to prevent loss. The enclosure can be sealed with wire.		
Cable entry	Pg 13.5 for cable diameters from 5 – 14 mm.		
Identification	The type designation and code no. of the unit is stamped in the side of the housing.		

¹⁾ For water and seawater, max. 80 °C.

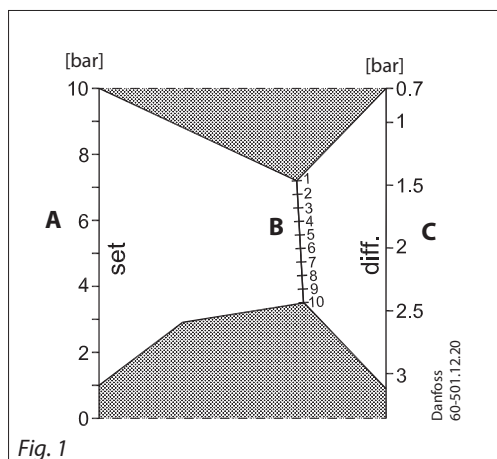
Types	Scale accuracy	Mean value of snap point variation after 400 000 operations
	[bar]	[bar]
KPS 31	±0.2	±0.1
KPS 33	±0.3	±0.2
KPS 35	±0.5	±0.3
KPS 37	±1.0	±0.4
KPS 39	±3.0	±0.7
KPS 43	±1.0	±0.2
KPS 45	±4.0	±1.0
KPS 47	±6.0	±1.5

Materials in contact with the medium

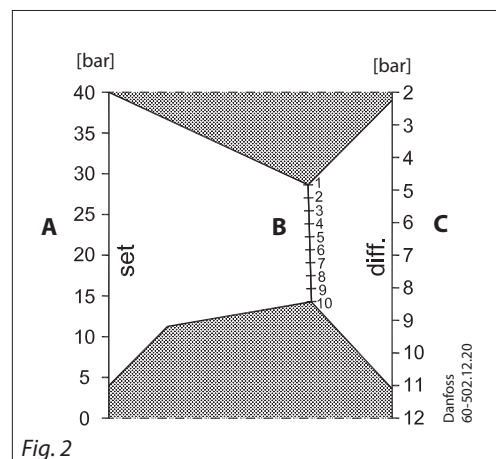
Type	Materials	
KPS 31, KPS 33	Bellows capsule	Deep-drawn plate, material no. 1.0524 (DIN 1624)
	Bellows	Stainless steel, material no. 1.4306 (DIN 17440)
	Pressure connection	Steel C20, material no. 1.0420 (DIN 1652)
KPS 35, KPS 37, KPS 39	Bellows	Stainless steel, material no. 1.4306 (DIN 17440)
	Pressure connection	Brass, W. no. 2.0401 (DIN 17660)
KPS 43, KPS 45, KPS 47	Diaphragm capsule	Nickel-plated brass, DIN 50 968 Cu/Ni 5 (DIN 1756)
	Diaphragm	Nitrile-Butadien rubber

Technical data and ordering
(continued)

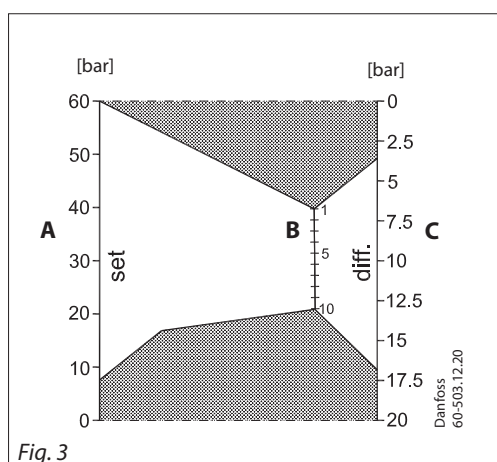
KPS 43



KPS 45

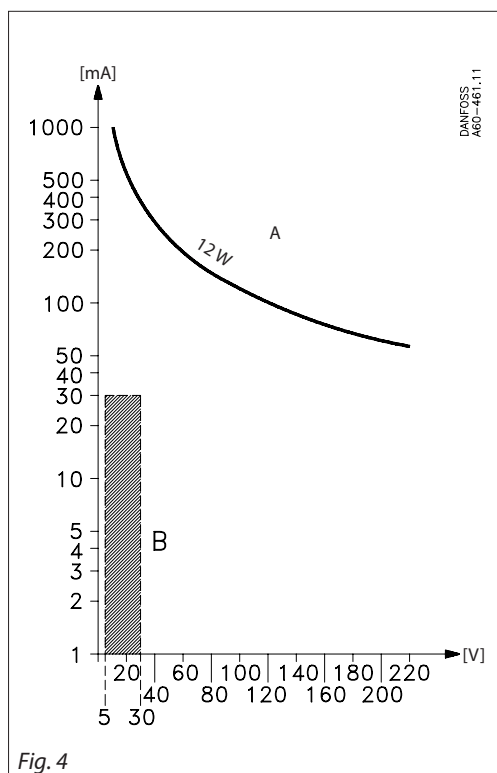


KPS 47



A: Range setting
B: Differential scale
C: Obtained differential

Direct current (DC) -load



Curve A:
gives the maximum load

Hatched area B:
Acceptable load for the gold plating of the contact

Function

1. KPS 31

Contacts 1-2 make and contacts 1-4 break when the pressure falls under the set range value. The contacts changeover to their initial position when the pressure again rises to the set range value plus the differential (see fig. 5).

- I. Alarm for falling pressure given at the set range value
- II. Alarm for rising pressure given at the set range value plus the differential.

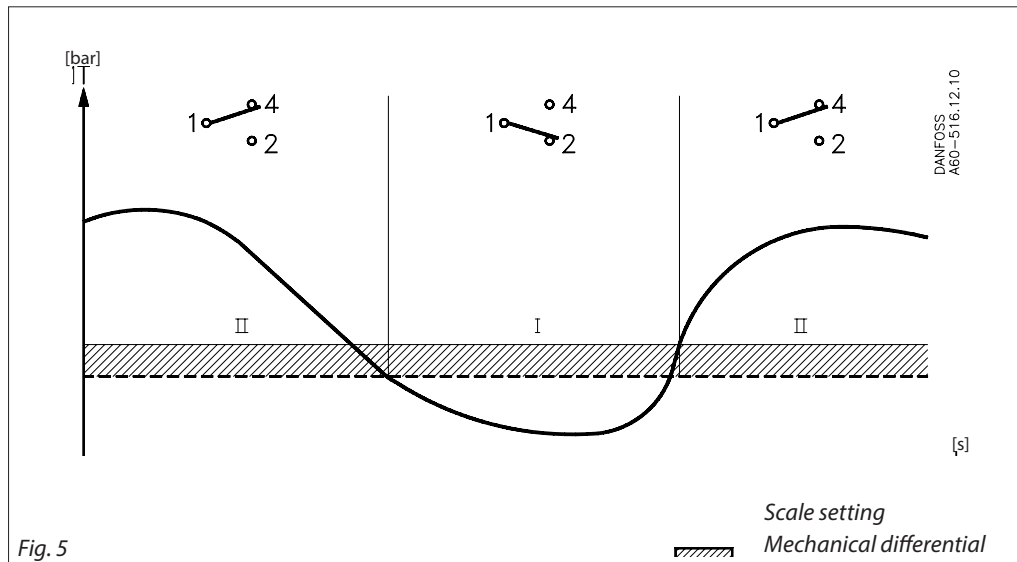


Fig. 5

2. All other KPS pressure SWITCHES

Contacts 1-4 make and contacts 1-2 break when the pressure rises above the set range value. The contacts changeover to their initial position when the pressure again falls to the range value minus the differential (see fig. 6).

- I. Alarm for rising pressure given at the set range value
- II. Alarm for falling pressure given at the set range value minus the differential

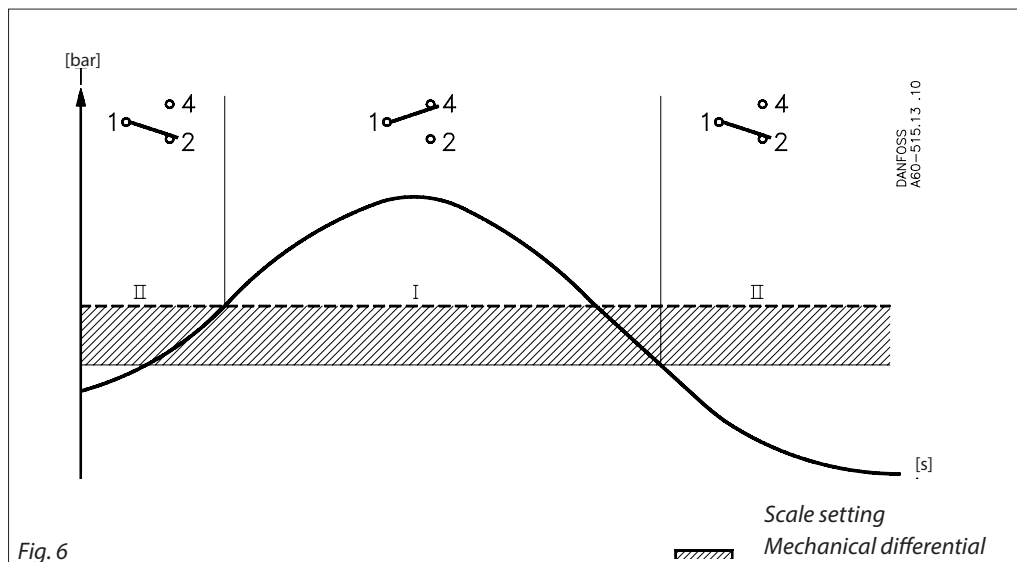
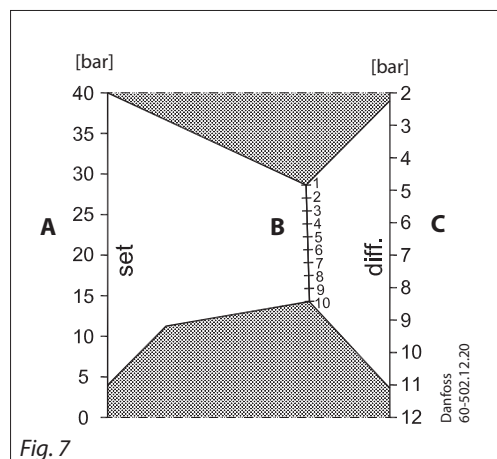


Fig. 6

Function
(continued)

KPS 45



Example 1

An alarm must be given when the lubricating oil pressure in an engine falls below 0.8 bar. The alarm is in the form of a lamp.
 Choose a KPS 31 (range 0 – 2.5 bar).
 The minimum permissible lubricating oil pressure of 0.8 bar must be set on the range spindle.
 The differential is fixed at 0.1 bar, i.e. the alarm will not cut out before the pressure rises to 0.9 bar. The lamp must be connected to terminals 1 and 2 in the pressure switch.

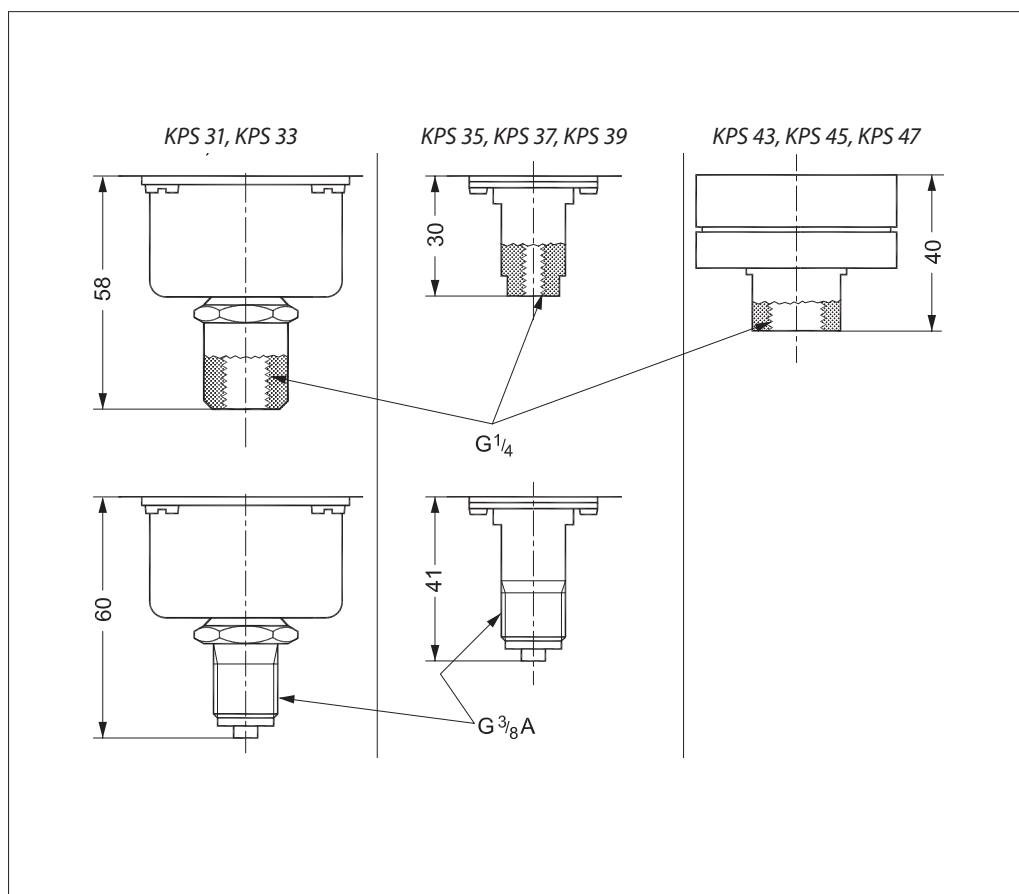
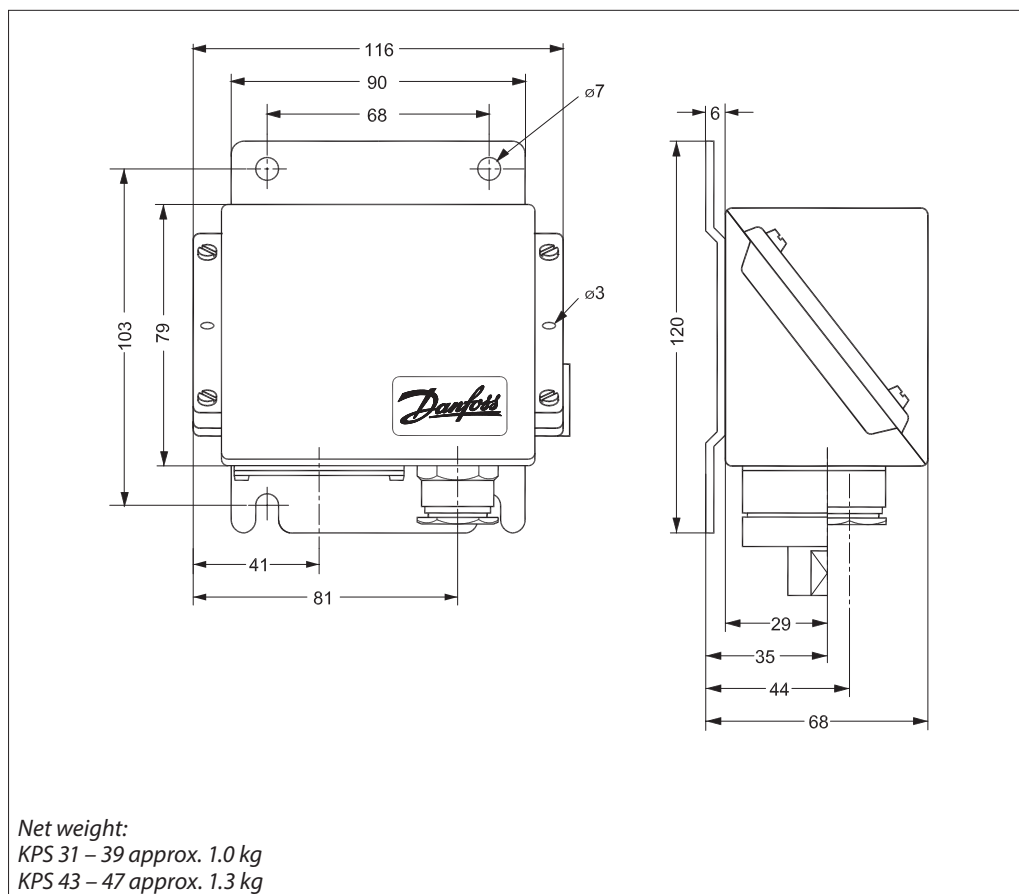
Example 2

An alarm must be given by a bell when the pressure in a boiler rises to 10 bar. The normal operating pressure is 9 bar.
 Choose a KPS 37 (range 6 – 18 bar).
 The range value of the pressure switch must be set at 10 bar, the differential at 1 bar.
 The bell must be connected to terminals 1 and 4.

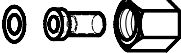








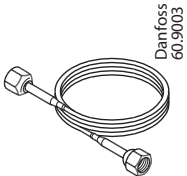
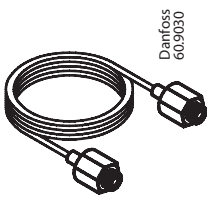
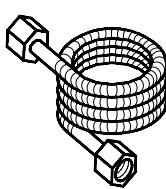
Example 3

The pressure in a start air reservoir must be regulated with a compressor controlled by a KPS pressure switch so that it lies between 30 and 36 bar.
 Choose a KPS 45 (range 4 – 40 bar).
 The range value must be set at 36 bar.
 The differential of 6 bar must be set in accordance with the nomogram, fig. 7, at approx. 2 on the differential scale.
 The required start function is obtained by connection to terminals 1 and 2 in the pressure switch.

Dimensions [mm]
and weights [kg]



Accessories

Part	Description	Code no.
Connector with nipple	 G $\frac{3}{8}$ connector, nipple and washer (10 mm o.d. x 6.5 mm i.d.) for brazing	017-436866
Connector with nipple	 G $\frac{3}{8}$ connector, nipple and washer (10 mm o.d. x 6.5 mm i.d.) for welding	017-422966
Reducer	 G $\frac{3}{8}$ x $\frac{7}{16}$ – 20 UNF ($\frac{1}{4}$ flare) reduction with washer	017-420566
Adapter	 G $\frac{3}{8}$ x $\frac{1}{8}$ – 27 NPT with washer	060-333466
Nipple	 G $\frac{3}{8}$ o.d x $\frac{7}{16}$ – 20 UNF ($\frac{1}{4}$ flare)	060-324066
Nipple	 G $\frac{3}{8}$ A – $\frac{1}{4}$ NPT with washer	060-333566
Adapter	 G $\frac{3}{8}$ x $\frac{1}{4}$ – 18 NPT with washer	060-333666
Nipple	 G $\frac{1}{4}$ A x G $\frac{3}{8}$ A	060-333266
	 G $\frac{1}{4}$ A x o.d. M10 x 1 with washer	060-333866
Damping coil	 Damping coil with $\frac{1}{4}$ flare connectors and 1 m copper capillary tube. Damping coils used for applications with $\frac{3}{8}$ RG connector requires the use of reducer. For informations about capillary tube lengths, please contact Danfoss.	060-017166
Damping coil	 Damping coil with G $\frac{3}{8}$ connectors and 1.5 m copper capillary tube	060-104766
Armoured damping coil	 Damping coil with G $\frac{3}{8}$ connectors and 1 m armoured copper capillary tube. Standard washers included.	060-333366

Installation

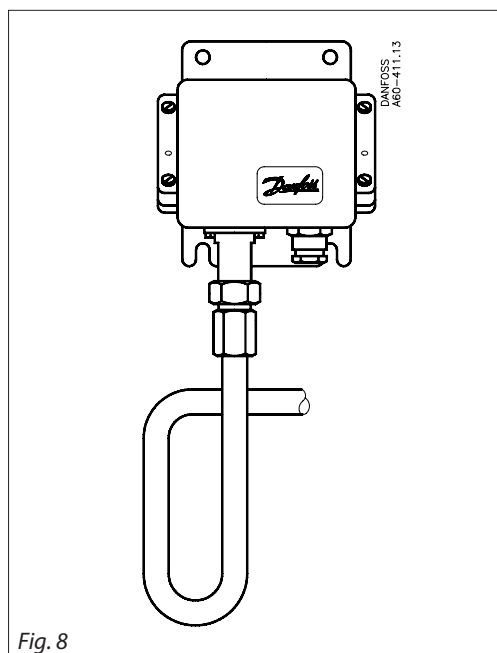


Fig. 8

Installation

KPS pressure switches are fitted with a 3 mm steel mounting plate. The units should not be allowed to hang from the pressure connection.

Pressure connection

When fitting or removing pressure lines, the spanner flats on the pressure connection should be used to apply counter-torque.

Steam plant

To protect the pressure element from excessive heat, the insertion of a water-filled loop is recommended. The loop can, for example, be made of 10 mm copper tube as shown in fig. 8.

Water systems

Water in the pressure element is not harmful, but if frost is likely to occur a water-filled pressure element may burst. To prevent this happening, the pressure control can be allowed to operate on an air cushion.

Media-resistance

See table of materials in contact with the medium, page 4. If seawater is involved, types KPS 43, KPS 45, KPS 47 are recommended.

Pulsations

If the pressure medium is superimposed with severe pulsations, which occur in automatic sprinkler systems (fire protection), fuel systems for diesel motors (priming lines), and hydraulic systems (e.g. propeller systems), etc., types KPS 43, KPS 45, KPS 47 are recommended. The maximum permissible pulsation level for these types is 120 bar.

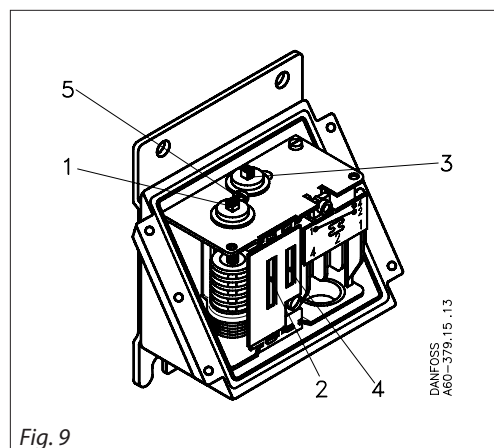


Fig. 9

1. Range spindle
2. Range scale
3. Differential spindle
4. Differential scale
5. Locking screw

Setting

When the pressure switch cover is removed, and the locking screw (5) is loosened, the range can be set with the spindle (1) while at the same time the scale (2) is being read. In units having an adjustable differential, the spindle (3) must be used to make the adjustment. The differential obtained can be read direct on the scale (4) or, with types KPS 43, KPS 45, KPS 47, can be determined by reading the scale value and using the nomograms in figs. 1, 2, 3 (page 5). The working line for determining the differential must not intersect the shaded areas in the nomograms.

Selection of differential

To ensure that the plant functions properly, a suitable differential pressure is necessary. Too small a differential will give rise to short running periods with a risk of hunting. Too high a differential will result in large pressure oscillations.

Electrical connection

KPS pressure switches are fitted with a Pg 13.5 screwed cable entry that is suitable for cable diameters from 5 – 14 mm. Contact function is shown in fig. 10.

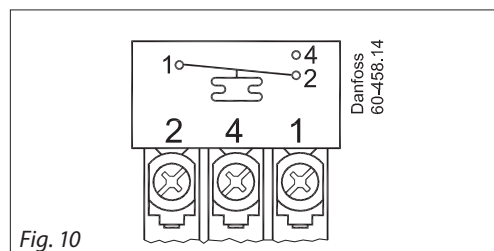


Fig. 10

THERMOSTAT

Technical data and ordering



KPS with rigid sensor



KPS with remote sensor



KPS with remote sensor and armoured capillary tube

When ordering, please state type and code number

Type	Setting range P _e [°C]	Mech. diff. adjustable/ fixed [°C]	Max. sensor temp. [°C]	Suitable sensor pocket length see also "Accessories" [mm]				Cap. tube length [m]	Code no.		
				65	75	110	160				
KPS 76	-10 – 30	3 – 10	80	65	75	110	160	2	–	060L311266	060L311366
KPS 77	20 – 60	3 – 14	130	–	75	–	–	–	060L311866	–	–
KPS 77	20 – 60	3 – 14	130	–	–	110	–	–	060L310066	–	–
KPS 77	20 – 60	3 – 14	130	–	–	–	160	–	060L313666	–	–
KPS 77	20 – 60	3 – 14	130	65	75	110	160	2	–	060L310166	060L310266
KPS 77	20 – 60	3 – 14	130	–	–	110	160	5	–	060L311966	–
KPS 79	50 – 100	4 – 16	200	–	75	–	–	–	060L312166	–	–
KPS 79	50 – 100	4 – 16	200	–	–	110	–	–	060L310366	–	–
KPS 79	50 – 100	4 – 16	200	–	–	–	160	–	060L313766	–	–
KPS 79	50 – 100	4 – 16	200	65	75	110	160	2	–	060L310466	060L310566
KPS 79	50 – 100	4 – 16	200	–	–	110	160	5	–	060L312266	–
KPS 79	50 – 100	4 – 16	200	–	–	110	160	8	–	060L312466	–
KPS 79	50 – 100	4 – 16	200	65	75	110	160	3	–	060L314366	–
KPS 80	70 – 120	4.5 – 18	220	–	75	–	–	–	060L312666	–	–
KPS 80	70 – 120	4.5 – 18	220	–	–	110	–	–	060L312766	–	–
KPS 80	70 – 120	4.5 – 18	220	–	–	–	160	–	060L313866	–	–
KPS 80	70 – 120	4.5 – 18	220	–	–	–	200	–	060L315766	–	–
KPS 80	70 – 120	4.5 – 18	220	65	75	110	160	2	–	060L312866	060L312966
KPS 80	70 – 120	4.5 – 18	220	65	75	110	160	3	–	060L315666	–
KPS 80	70 – 120	4.5 – 18	220	–	–	110	160	5	–	060L313066	–
KPS 80	70 – 120	4.5 – 18	220	–	–	110	160	8	–	060L313266	–
KPS 81	60 – 150	5 – 25	250	65	75	110	160	2	–	060L310666	060L310766
KPS 81	60 – 150	5 – 25	250	–	–	110	160	5	–	060L313466	–
KPS 81	60 – 150	5 – 25	250	–	–	110	160	8	–	060L311166	–
KPS 81	60 – 150	5 – 25	250	–	–	200	–	–	060L311066	–	–
KPS 83	100 – 200	6.5 – 30	300	65	75	110	160	2	–	060L310866	060L310966
KPS 83	100 – 200	18	300	65	75	110	160	2	–	060L313966 ¹⁾	–

Electrical connection

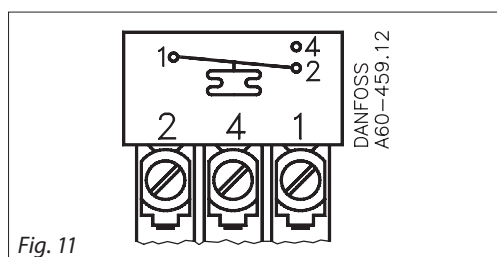


Fig. 11

KPS thermostats are fitted with a Pg 13.5 screwed cable entry suitable for cables from 5 – 14 mm. Contact function is shown in fig. 11

Technical data

Switch	Single pole changeover (SPDT)	Contact material: Gold-plated silver contact	
Contact load (when Au surface is burnt away)	Alternating current	Ohmic	10 A, 440 V, AC-1
		Inductive	6 A, 440 V, AC-3
			4 A, 440 V, AC-15
	Starting current	max. 50 A (locked rotor)	
	Direct current	12 W, 220 V, DC-13, see fig. 12	
Ambient temperature	-40 – 70 °C		
Vibration resistance	Vibration-stable in the range 2 – 30 Hz, amplitude 1.1 mm og 30 – 300 Hz, 4 G.		
Enclosure	IP67 to EN 60529 / IEC 60529. The thermostat housing is enamelled pressure die cast aluminium (GID-AISI 12). The cover is fastened by four screws which are anchored to prevent loss. The enclosure can be sealed with fuse wire.		
Cable entry	Pg 13.5 for cable diameters from 5 – 14 mm.		
Identification	The type designation and code no. of the unit is stamped in the side of the housing.		

Types	Scale accuracy ¹⁾	Snap point variation after 400 000 operations
	[°C]	[°C]
KPS 76	±3	max. drift 2
KPS 77	±3	max. drift 2
KPS 79	±3	max. drift 2
KPS 80	±3	max. drift 2
KPS 81	±6	max. drift 2
KPS 83	±6	max. drift 2

¹⁾ Scale values are indicative only. Results given in table are measured in laboratory conditions for factory set values (scale center). The scale accuracy for min and max positions could differ significantly. There are many factors which could influence on product working and scale accuracy.

Direct current (DC) -load

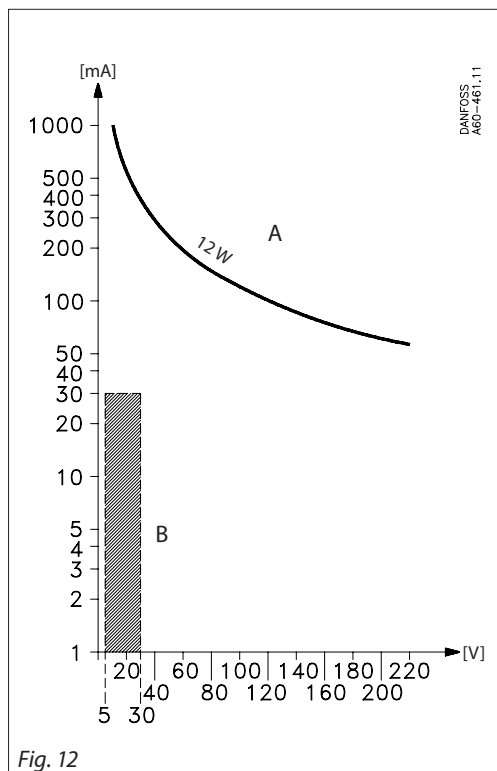


Fig. 12

Curve A:
gives the maximum load

Hatched area B:
Acceptable load for the gold plating of the contact

Function

Selection of differential

To ensure that the plant functions properly, a suitable differential is necessary. Too small a differential will give rise to short running periods with a risk of hunting. Too high a differential will result in large temperature variations.

The thermal differential is always greater than the mechanical differential and depends on three factors:

- 1) the flow velocity of the medium,
- 2) the temperature change rate of the medium,
- 3) the heat transmission to the sensor.

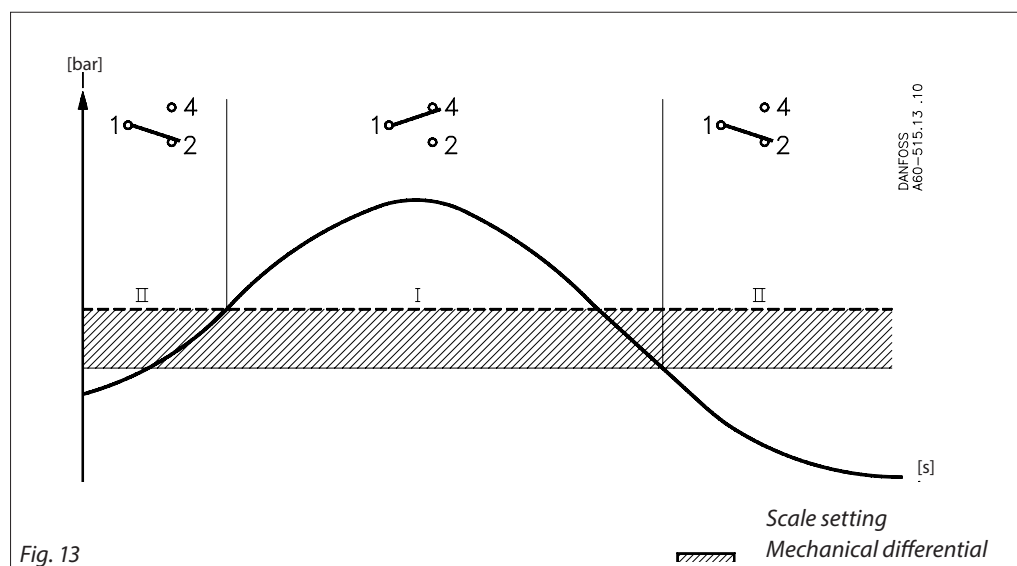
Differentials

The mechanical differential is the differential that is set by the differential spindle in the temperature control. The thermal differential (operating differential) is the differential the system operates on.

Thermostat function

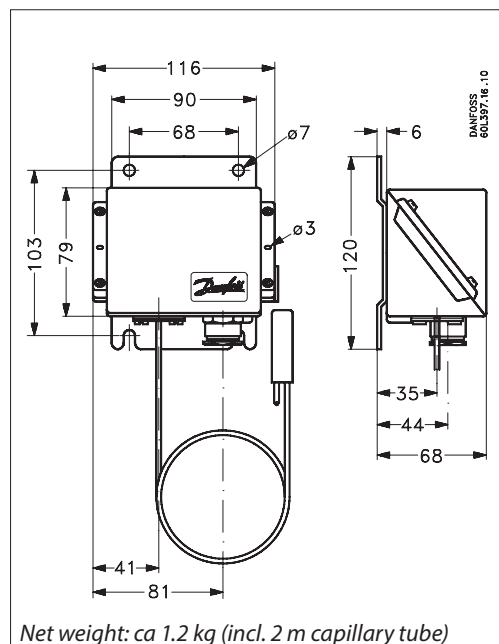
Contacts 1–4 make while contacts 1–2 break when the temperature rises above the scale setting. The contacts changeover to their initial position when the temperature falls to the scale setting minus the differential. See fig. 13.

- I. Alarm for rising pressure given at the set range value
- II. Alarm for falling pressure given at the set range value minus the differential

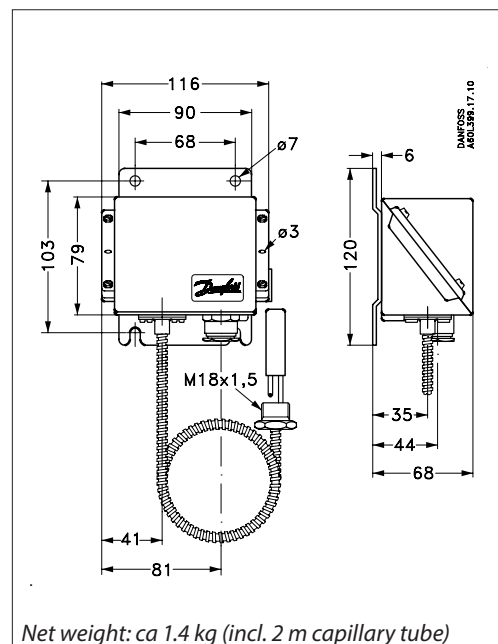


Dimensions [mm]
and weights [kg]

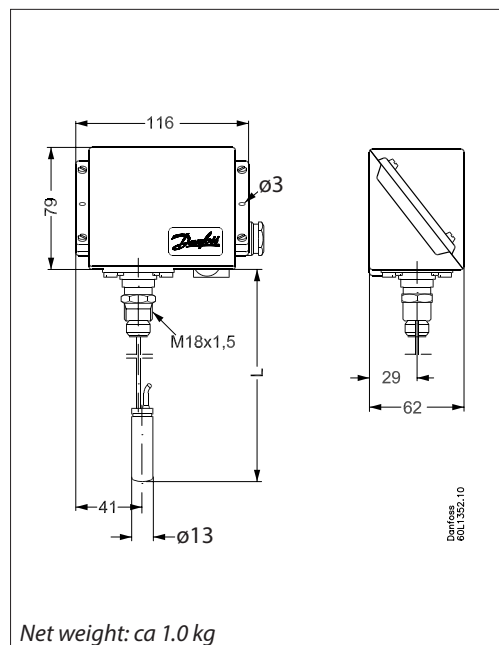
KPS with remote sensor



KPS with remote sensor and armoured capillary tube

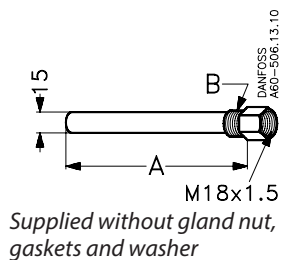


KPS with rigid sensor



Sensor pocket length "A"	Sensor length "L"
75	105
110	138
160	190
200	230

Accessories



Brass sensor pocket			Steel 18/8 sensor pocket		
A [mm]	B Thread	Code no.	A [mm]	B Thread	Code no.
65	1/2 NPT	060L326566	-	-	-
75	1/2 NPT	060L326466	75	G 1/2 A	060L326766
75	G 1/2 A	060L326266	-	-	-
75	G 3/4 A	060L326666	-	-	-
75	G 1/2 A	060L328166	-	-	-
110	1/2 NPT	060L328066	110	G 1/2 A	060L326866
110	G 1/2 A	060L327166	110	1/2 NPT	060L327066
110	G 1/2 A	-	-	-	-
110	G 3/4 A	060L340366	-	-	-
160	G 1/2 A	060L326366	160	G 1/2 A	060L326966
200	G 1/2 A	060L320666	-	-	-
200	G 1/2 A	060L340866	-	-	-
250	G 1/2 A	060L325466	-	-	-
330	G 1/2 A	060L325566	-	-	-

Part	Description	Code no.
Clamping band	<p>For KPS thermostats with remote sensor (L = 392 mm)</p>	017-420466
Heat-conductive compound (4.5 cm ² tube)	<p>For KPS thermostats with sensor fitted in a sensor pocket. Compound for filling sensor pocket to improve heat transfer between pocket and sensor. Application range for compound: between pocket and sensor. Application range for compound: -20 – 150 °C, momentarily up to 220 °C.</p>	041E0114
Gasket set	<p>For KPS thermostats without armoured capillary tubes</p>	060L327366
Gasket set	<p>For KPS thermostats with armoured capillary tubes</p>	060L036666

Installation

Installation

Location of unit: KPS thermostats are designed to withstand the shocks that occur, e.g. in ships, on compressors and in large machine installations. KPS thermostats with remote sensor are fitted with a base of 3 mm steel plate for fixing to bulkheads, etc. KPS thermostats with bulb sensor are self-supporting from the sensor pocket.

Resistance to media

Material specifications for sensor pockets:

Sensor pocket, brass

The tube is made of Ms 72 to DIN 17660, the threaded portion of So Ms 58Pb to DIN 17661.

Sensor pocket, stainless steel 18/8

Material designation 1.4305 to DIN 17440.

Sensor position

As far as possible the sensor should be positioned so that its longitudinal axis is at right angles to the direction of flow. The active part of the sensor is $\varnothing 13 \text{ mm} \times 50 \text{ mm}$ long on thermostats with rigid sensors and 2 m capillary tube. The active length on the other thermostats is 70 mm (5 m and 8 m capillary tubes).

The medium

The fastest reaction is obtained from a medium having high specific heat and high thermal conductivity. It is therefore advantageous to use a medium that fulfills these conditions (provided there is a choice).

Flow velocity of the medium is also of significance. (The optimum flow velocity for liquids is about 0.3 m/s).

For permissible media pressure see fig. 14.

Permissible media pressure on the sensor pocket as a function of temperature

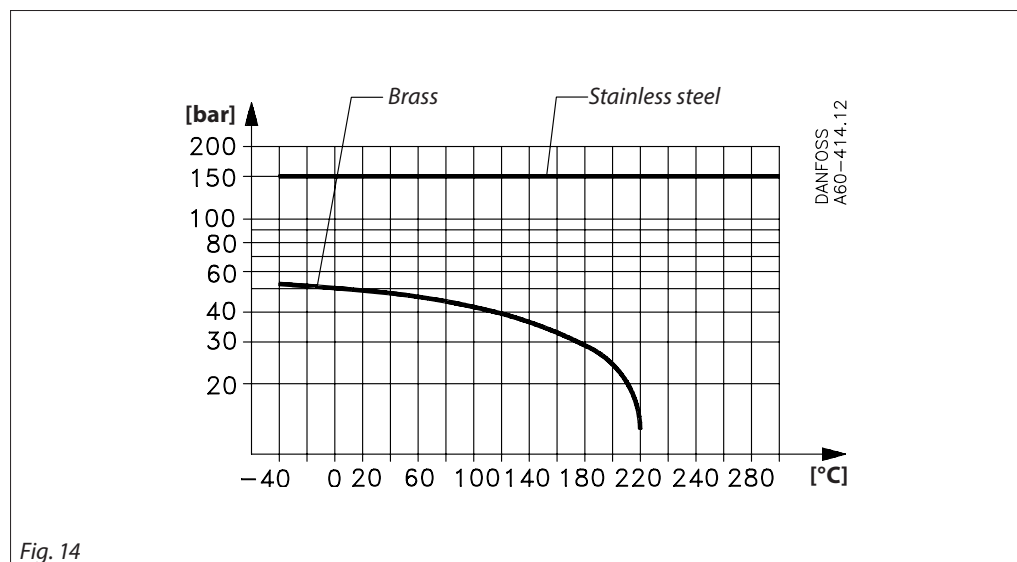


Fig. 14

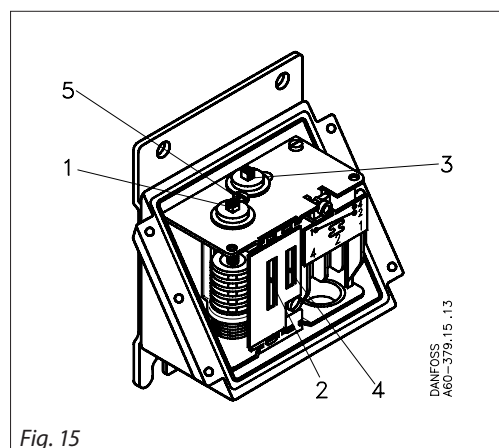


Fig. 15

Setting

When the thermostat cover is removed, and the locking screw (5, fig. 15) is loosened, the range can be set with the spindle (1) while at the same time the scale (2) is being read.

In units having an adjustable differential, the spindle (3) can be used while the scale (4) is being read.

- 1. Range spindle
- 2. Range scale
- 3. Differential spindle
- 4. Differential scale
- 5. Locking screw

Installation
(continued)

Scale correction

The sensor on KPS thermostats contains an adsorption charge. Therefore function is not affected whether the sensor is placed warmer or colder than the remaining part of the thermostatic element (bellows and capillary tube). However, such a charge is to some extent sensitive to changes in the temperature and bellows and capillary tube. Under normal conditions this is of no importance, but if the temperature control is to be used in extreme ambient temperatures there will be a scale deviation.

The deviation can be compensated for as follows:
Scale correction = $Z \times a$
Z can be found from fig. 16, while a is the correction factor from the table below.

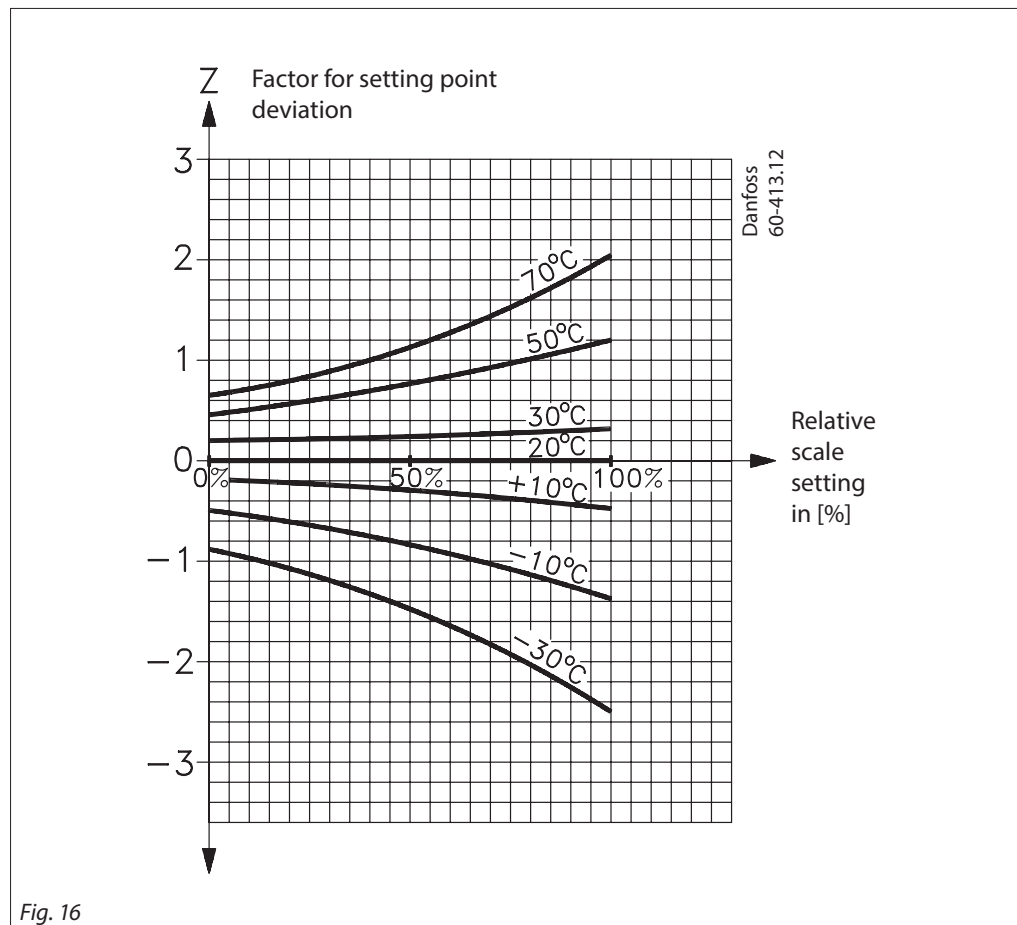


Fig. 16

Type	Regulation range [°C]	Correction factor a for thermostats		
		with rigid sensor	with 2 and 5 m cap. tube	with 8 m cap. tube
KPS 76	-10 – 30	–	1.1	–
KPS 77	20 – 60	1.0	1.4	–
KPS 79	50 – 100	1.5	2.2	2.9
KPS 80	70 – 120	1.7	2.4	3.1
KPS 81	60 – 150	–	3.7	–
KPS 83	100 – 200	–	6.2	–

Examples

Example 1

A diesel engine with cooling water temperature of 85 °C (normal). An alarm must be triggered if the cooling water temperature exceeds 95 °C. Choose a KPS 80 thermostat (range 70 – 120 °C). Main spindle setting: 95 °C. Differential spindle setting: 5 °C. The required alarm function is obtained by connecting to thermostat terminals 1–4. After the system has been in operation, assess the operating differential and make a correction if necessary.

Example 2

Find the necessary scale correction for a KPS 80 set at 95 °C in 50 °C ambient temperature. The relative scale setting Z can be calculated from the following formula:

$$\frac{\text{Setting value} - \text{min. scale value}}{\text{max. scale value} - \text{min. scale value}} \times 100 = \%$$

$$\text{Relative scale setting: } \frac{95 - 70}{120 - 70} \times 100 = 50\%$$

Factor for scale deviation Z (fig. 16 page 17), $Z \approx 0.7$
Correction factor a (table under fig. 16 page 17) = 2.4
Scale correction = $Z \times a = 0.7 \times 2.4 = 1.7$ °C
The KPS must be set at $95 + 1.7 = 96.7$ °C