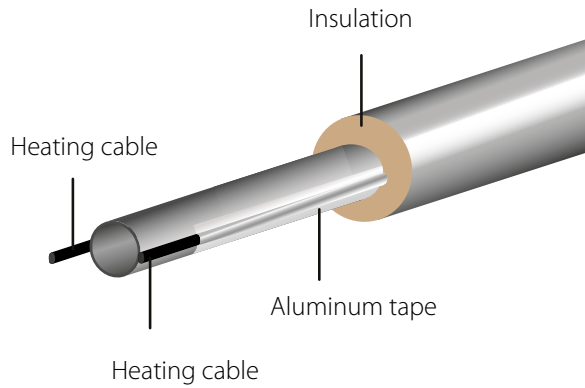


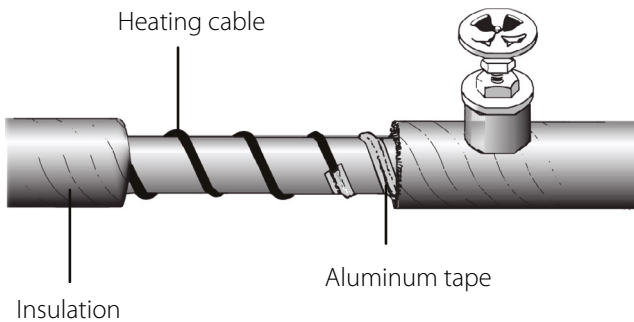
# Easy Installation

## Typical Installation

For installation on pipes, wrap the Ice Guard cable around the pipe or run it along the pipe length. Install insulation as the final step.



## Typical wrap Installation:



ENGINEERING  
TOMORROW

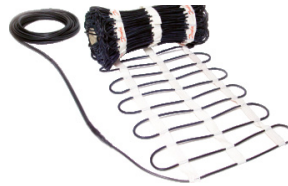
*Danfoss*

## Electric Cable Heating Solutions

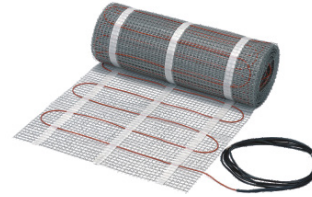
Danfoss offers a one stop solution for floor heating, snow melting, pipe tracing, and roof and gutter needs.



Danfoss RX Roof and Gutter



Danfoss GX Snow Melting



Danfoss LX Floor Heating Mat



### Danfoss

Toll Free: 888 DANFOSS (326 3677) • Fax: 416 352 5981  
[www.Heating.Danfoss.us](http://www.Heating.Danfoss.us)

VBEXM222\_Nov2017

ENGINEERING  
TOMORROW

*Danfoss*

Ice Guard

## Pre-Terminated Self Regulating Cable

Bringing warmth to life



[www.Heating.Danfoss.us](http://www.Heating.Danfoss.us)

# Danfoss Ice Guard Self-Regulating Cable

Danfoss Ice Guard is a self-regulating heating cable (SRIG). The heat output of the conductive core material increases or decreases in response to ambient temperature changes. This ensures that heat is only applied where it is needed and maximizes energy efficiency.

## Danfoss Built Quality

- 120 VAC
- 6 foot long power lead
- Heavy duty, grounded AC plug (for 120V)
- Contractor grade 16 AWG bus cable
- Cables **can** overlap
- Limited 10 year warranty

Typically used for pipe freeze protection as well as roof and gutter de-icing, the Danfoss Ice Guard is your simple solution for all your freeze protection needs.

## Flexible Solutions

- Pipe freeze protection for metal and PVC pipes
- Tank freeze protection
- Roof and gutter deicing

# The Simple Solution

## 120V Plugin Product

Part No.	Length (ft.)	Output at 50°F
088L1480	6 ft	5W/ft
088L1481	12 ft	5W/ft
088L1482	18 ft	5W/ft
088L1483	24 ft	5W/ft
088L1484	50 ft	5W/ft
088L1485	75 ft	5W/ft
088L1486	100 ft	5W/ft



Simply plug it in and let the cable do the rest of the work. The self regulating feature will make sure it never gets too hot, while protecting your pipes, roofs and gutters from freezing and ice buildup.

