

SPECIFICATIONS

Material: Boot: APM-RUBRGLAS (transparent silicone rubber) conforms to A-A-59588, Class III Grade 50.

Temperature Range: HEXSEALS: -94°F to +400°F

Pressure Range: Dust tight and splashproof.

Resistant to: Salt spray, weather, sunlight, ozone, corona and most acids.

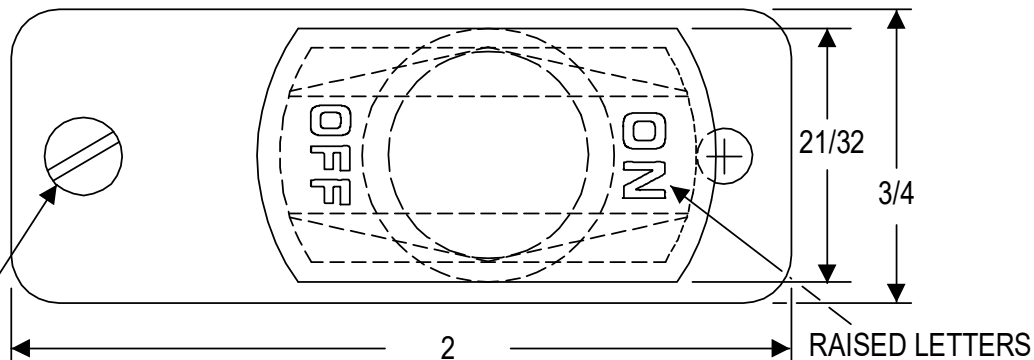
Shelf Life: Excess of 25 years.

Operational Life: 10,000 actuations, minimum.

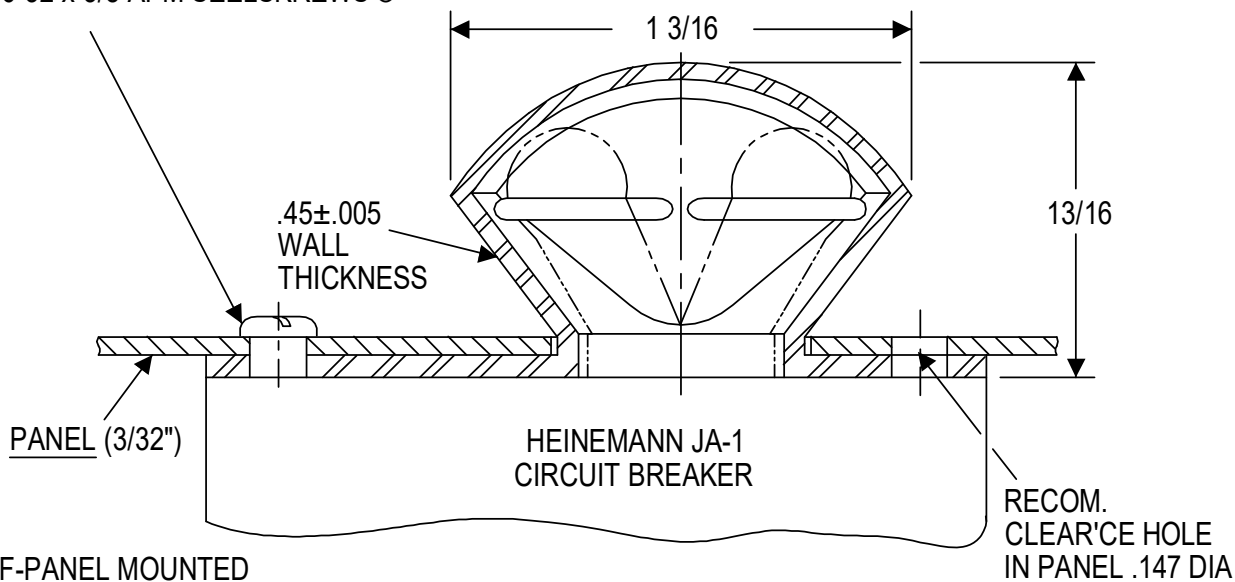
Notes:

1. Mounting screws are supplied in lengths shown unless otherwise specified.
2. New sizes and types of RUBRGLAS-SEELS® are being added regularly. Please request other types and styles as required.

Agency Recognition: Front Panel mounted Circuit Breaker Boots are UL-listed to UL Std. 50, types 1, 2, 3, 12, 12K, and 13. Back-of-Panel mounted Circuit Breaker boots are UL-listed to UL Std. 50, type 1. Also meet CSA standards.



NOTE:
ORDER SEPARATELY
2 - #6-32 x 3/8 APM SEELSKREWS®



D	MAT'L CHANGED and WALL THICKNESS TOL. CHANGED FROM 0.010" to 0.005"		12-18-09
C	CAD COMPUTER GENERATED		1-3-03
B	ADDED DIMENSIONS	NICK	2-6-68
A	REDRWAN WITH FULL FLANGE WAS 1" DIA	NKS	11-1-67
REV.	DESCRIPTION		DATE
MAXIMUM AND MINIMUM MEASUREMENTS ARE STATED DIRECTLY ON EACH DIMENSION.		TITLE	ENG.
MAT'L: APM RUBRGLASS® CONFORMS TO A-A-59588, CL III		CIRCUIT BREAKER BOOT, CIRCUIT BREAKER TOGGLE ROUND HOLE MOUNTED	DWN. N.K.S. 8-9-67
FINISH: GRADE 50 TRANSPARENT		APM-HEXSEAL CORPORATION	CHKD. WS 11-1-67
		SCALE 2:1	DWG. NO. 1113/40

THIS DRAWING COVERS PROPRIETARY ITEM AND IS THE PROPERTY OF THE APM-HEXSEAL CORPORATION.
THIS DRAWING IS NOT TO BE COPIED OR USED WITHOUT THE WRITTEN APPROVAL OF AN OFFICER OF THE APM-HEXSEAL CORPORATION.