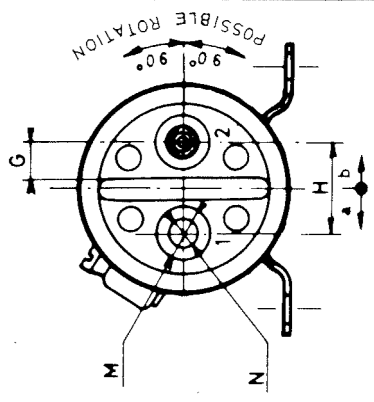
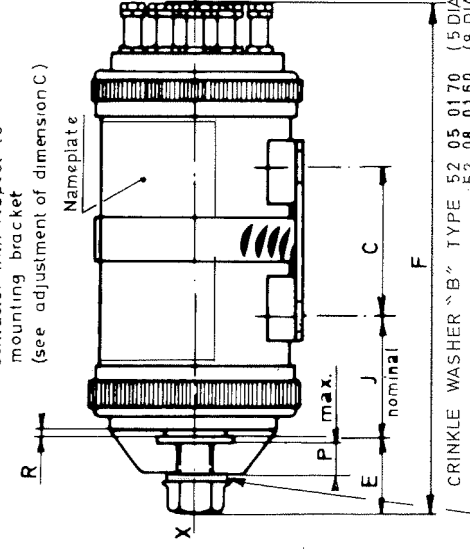
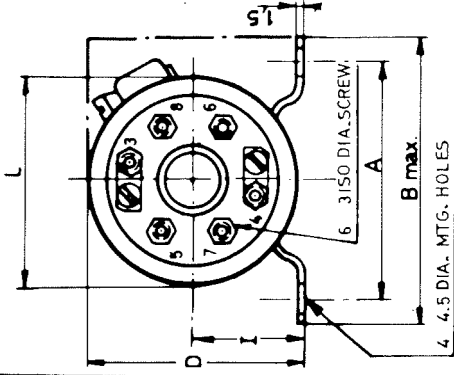


APPROVED ON 25-05-1979

FE 15_90_59_00

BWB F82-79 (Germany)
BNA/é

LETTER N° _____
Lengthwise displacement of
contactor with respect to
mounting bracket
(see adjustment of dimension C)



Sideways displacement possible
with respect to mounting screws:
1 mm in either direction a or b

| CIRCUIT DIAGRAM (see page 2) | RATINGS AS PER TEMP. RANGE | | WEIGHT g ± 2% | MAIN DIMENSIONS IN MM | | | | | | | | | | | | | | | | |
|------------------------------------|-------------------------------|-----------|------------------|-----------------------|----|----|-------|------|------|------|------|------|-------------------------|------|------|------|-----|----|-----|------|
| | -55°+125°C | -55°+80°C | | A | B | C | D | E | F | G | H | I | nom. ADJUSTABLE from to | L | M | N | P | R | | |
| A | 75 AMPS | 100 AMPS | 230 | 38 | 48 | 30 | 35.75 | 10 | 80 | 8.75 | 16.5 | 18.5 | 15 | 13 | 17 | 34.5 | 8.5 | 5 | 2.8 | 10.7 |
| A | 100 AMPS | 125 AMPS | 283 | | | | 39.25 | | 82.5 | 18 | 20 | 18 | 14.5 | 21.5 | 38.5 | 9.2 | 5 | 3 | 1 | |
| B | 150 AMPS | 200 AMPS | 370 | 55 | 65 | 35 | 44.75 | 10 | 106 | 6.75 | 18 | 24.5 | 25.5 | 15.5 | 35.5 | 40.5 | 9.2 | 5 | 3 | 1 |
| B | 250 AMPS | 320 AMPS | 620 | 60 | 70 | 40 | 4.8 | 17 | 130 | 6.25 | 21.5 | 25 | 33.5 | 23.5 | 43.5 | 4.6 | 13 | 8 | 6 | 1 |
| B | 400 AMPS | 500 AMPS | 900 | 60 | 70 | 40 | 60.5 | 19.5 | 138 | 10.5 | 27 | 31 | 37.5 | 22.5 | 52.5 | 5.9 | 16 | 10 | 7 | 1 |

| RECOMMENDED MOUNTING TORQUE (N.m) | |
|--------------------------------------|-----------------|
| 3 DIA. | > 0.49 < 0.68 |
| 5 DIA. | > 2.64 < 2.94 |
| 8 DIA. | > 6.86 < 9.12 |
| 10 DIA. | > 11.13 < 15.20 |

GENERAL CHARACTERISTICS

- **DEFINITION** : Electromechanical device designed to close or open a d.c. electrical circuit.
The main moving contacts interrupt the circuit through them when in their normal position (Normally-open).
- **CONSTRUCTION** : The device is enclosed in a cylindrical metal housing which can be adjusted and oriented with respect to its mounting bracket.
At each end, insulating plates carry the main terminals for one part, and the auxiliary and coil terminals for another.
The magnet coil operating the main moving contacts drives simultaneously an auxiliary change-over switch.
- **ENVIRONMENTAL CHARACTERISTICS** :
maximum altitude : 20.000 m. (60,000 ft)
55° + 125° C. or - 55° + 80° C. (as per rating)
+ 130° C.
Acceleration : 12 g. along all axes.
Vibration : AIR 7303 Specs, method IV, procedure (a) curve 1 A.
Shock : 30 g. (1 ms).

| REVISIONS | | | | | | | | | | |
|-----------|----|----|----|----|----|----|----|----|----|--|
| 0 | 12 | 13 | 14 | 15 | 16 | 17 | 18 | 19 | 20 | |
| 21 | 22 | | | | | | | | | |

MANUFACTURED BY
SAFRAN ELECTRICAL AND POWER
7, rue des Longs Quartiers - 93108 MONTREUIL Cedex

ELECTRICAL CONNECTIONS : See table below

| AUX. TERMINALS | | MAIN TERMINALS | | | | | | |
|-------------------------------|--------------------|-------------------------------|--------------------|--------------------|---------------------|----------------------|----------------------|---------------------|
| CROSS-SECTIONAL AREA OF WIRES | | CROSS-SECTIONAL AREA OF WIRES | | | | | | |
| 0.38 to 1.34 Sq mm | 1.34 to 1.91 Sq mm | 1.91 to 3.11 Sq mm | 3.11 to 5.33 Sq mm | 5.33 to 8.95 Sq mm | 8.95 to 13.45 Sq mm | 13.45 to 21.85 Sq mm | 21.85 to 34.45 Sq mm | 34.45 to 75.5 Sq mm |
| 31 878 | 32 439 | 75 | COPPER | 320 552 | 320 574 | 322 128 | 322 050 | |
| | | 100 | | | | | | |
| | | 125 | | | | | | |
| | | 150 | ALUMINIUM | | | 322 592 | 322 612 | 322 624 |
| | | 200 | | | | | | |
| 31 880 | 32 441 | 250 | COPPER | 320 572 | 320 575 | 322 003 | 322 006 | |
| | | 320 | ALUMINIUM | | | 322 594 | 322 614 | 322 631 |
| 320 553 | 324 159 | 400 | COPPER | | 130 207 | 160 045 | 160 043 | 160 039 |
| | | 500 | ALUMINIUM | | | | | |

— ELECTRICAL CHARACTERISTICS —

| RATINGS AS PER TEMPERATURE RANGE | CONTACT CHARACTERISTICS | | | | COIL CHARACTERISTICS | | | | | | | |
|----------------------------------|--|-----------------------------------|--|--------------------------------|-----------------------------------|-------------------------|----------------------------|-----------------------------------|---------------------------------|-------|-------|------|
| | MAIN CONTACTS | | AUX. SWITCH | | 32 V. MAX. D.C. POWER SUPPLY | | OPERATING TIMES AT 28.5 V. | | | | | |
| | ENDURANCE AT RATED CURRENT L/R 5/1,000 | VOLTAGE DROP AT RATED CURRENT (2) | 115V. A.C. RUPTURING CAPACITY (10 times) | 115V. A.C. D.C. RES. IND. AMP. | D.C. DROPTUP VOLTAGE AT 12.5° (1) | PICK-UP VOLTAGE AT 20°C | DROP-OUT VOLTAGE AT 20°C | PULL-IN CURRENT AT 28.5 V (25 ms) | COIL CURRENT AT 28.5 V and 20°C | | | |
| 75 | 750 | ≤ 110 | 5 | 3 | 3 | ≤ 60 | < 21 | 2 < V _d < 8 | Not applicable | 0.400 | ≤ 25 | |
| 100 | 1000 | | | | | | | | | 5 | 0.365 | |
| 150 | 1500 | | | | | | | | | 5 | 0.410 | |
| 250 | 2200 | | | | | | | | | 6.6 | 0.400 | ≤ 15 |
| 400 | 3500 | | | | | | | | | | | |

— NOTE : (1) Temperature conditions apply after devices have been operated for one hour with all contacts supplied under rated current conditions.
 (2) Correct functioning of main contacts can only be guaranteed if the controlled current is 2 amps. at least.

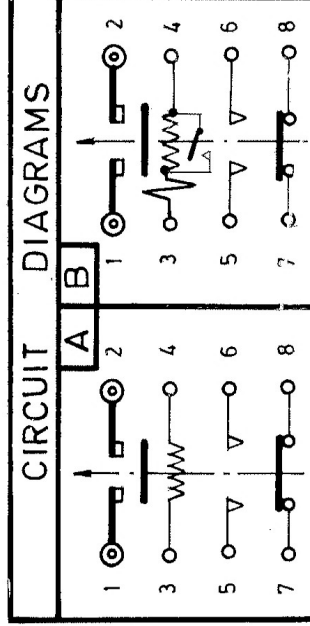
— OVERLOAD CAPACITY :
 1°) On make and break, to AIR 8456B Specs.

— INSULATING RESISTANCE, at 20° C. : above 100MΩ
 — DIELECTRIC STRENGTH, at sea level : 500 V D.C.

— DIMENSIONAL STANDARD :

— ACCEPTANCE TEST SPECIFICATIONS : AIR 9456
 — QUALIFICATION SPECIFICATIONS : AIR 8456B.

— SERVICE DUTY : Continuous



ORDER GUIDE

| RATING | AMPS. | VOLTAGE | ORIGINAL VERSION | | IDENTICAL FOR BOTH VERSIONS | | NEW VERSION | | Amdt |
|--------|-------|----------|--|--------------------|---|--|-------------------------|---|------|
| | | | CONTACTOR MOUNTING BASE (Marking on nameplate) | NAMEPLATE LANGUAGE | CONTACTOR WITHOUT MOUNTING BASE NORCLAMP (Marking on nameplate) | CONTACTOR MOUNTING BASE | FLEXINOX MOUNTING CLAMP | CONTACTOR WITH MOUNTING BASE (Marking on nameplate) | |
| 75 | HT | 28.5 | 101CC01A | 101CC01A02 | MINOX 0 024X036 | 101CC01AN 101CC01BN 101CC01CN 101CC01DN | CC156-1 | MH 024-036 | G |
| | | 6 | 101CC01B | | | | | | |
| | 12 | 101CC01C | | | | | | | |
| | 48 | 101CC01D | | | | | | | |
| 100 | HT | 28.5 | 111CC01A | 111CC01A02 | MINOX 0A 025X045 | 111CC01AN 111CC01BN 111CC01CN 111CC01DN | 2510- 104-1 | MH 025-045 | F |
| | | 6 | 111CC01B | | | | | | |
| | 12 | 111CC01C | | | | | | | |
| | 48 | 111CC01D | | | | | | | |
| 125 | LT | 28.5 | 121CC01A | 121CC01A02 | MINOX 0A 025X045 | 121CC01AN 121CC01BN 121CC01CN 121CC01DN | CC1557-1 | MH 025-045 | F |
| | | 6 | 121CC01B | | | | | | |
| | 12 | 121CC01C | | | | | | | |
| | 48 | 121CC01D | | | | | | | |
| 150 | HT | 28.5 | 131CC01A | 131CC01A02 | FLEX MH 032X052 | 131CC01AN 131CC01BN 131CC01CN 131CC01DN | CC2044 | MH 032-052 | F |
| | | 6 | 131CC01B | | | | | | |
| | 12 | 131CC01C | | | | | | | |
| | 48 | 131CC01D | | | | | | | |
| 200 | LT | 28.5 | 141CC01A | 141CC01A02 | FLEX MH 047 067 | 141CC01AN 141CC01BN 141CC01CN 141CC01DN | 2540-105 | MH 047 067 | F |
| | | 6 | 141CC01B | | | | | | |
| | 12 | 141CC01C | | | | | | | |
| | 48 | 141CC01D | | | | | | | |
| 250 | HT | 28.5 | 141CC01A | 141CC01A02 | FLEX MH 047 067 | 141CC01AN 141CC01BN 141CC01CN 141CC01DN | 2540-105 | MH 047 067 | F |
| | | 6 | 141CC01B | | | | | | |
| | 12 | 141CC01C | | | | | | | |
| | 48 | 141CC01D | | | | | | | |
| 320 | LT | 28.5 | 141CC01A | 141CC01A02 | FLEX MH 047 067 | 141CC01AN 141CC01BN 141CC01CN 141CC01DN | 2540-105 | MH 047 067 | F |
| | | 6 | 141CC01B | | | | | | |
| | 12 | 141CC01C | | | | | | | |
| | 48 | 141CC01D | | | | | | | |
| 400 | HT | 28.5 | 141CC01A | 141CC01A02 | FLEX MH 047 067 | 141CC01AN 141CC01BN 141CC01CN 141CC01DN | 2540-105 | MH 047 067 | F |
| | | 6 | 141CC01B | | | | | | |
| | 12 | 141CC01C | | | | | | | |
| | 48 | 141CC01D | | | | | | | |
| 500 | LT | 28.5 | 141CC01A | 141CC01A02 | FLEX MH 047 067 | 141CC01AN 141CC01BN 141CC01CN 141CC01DN | 2540-105 | MH 047 067 | F |
| | | 6 | 141CC01B | | | | | | |
| | 12 | 141CC01C | | | | | | | |
| | 48 | 141CC01D | | | | | | | |

SPECIALTY REQUIREMENTS

CONTACTORS TO BE CONTROLLED BE CUSTOMER DRAWINGS OR HAVING REQUIREMENTS NOT COVERED IN THESE DATA SHEETS WILL BE ASSIGNED SPECIAL CODE NUMBERS UPON REQUEST TO THE MANUFACTURER
 ORDERING DIRECTIONS: ADD DESIRED SPECIALTY CODE TO BASIC PART NUMBER AS FOLLOWS: 101CC01 A [10]
 * VALID FOR THE 500-AMP RATED CONTACTOR ONLY.

CODE

REQUIREMENTS

| | |
|------|--|
| 10 | RUN-IN TEST: 500 cycles including monitoring of auxiliary contact operation on each-cycle |
| * 11 | BREAKING CAPACITY: 800Amps; 10times MAKING CAPACITY : 700 Amps; 20 seconds followed by 150 Amps continuously 300 contact-forming operations at 500Amps; 24 vdc before delivery. Millivolt drop ≤ 80; at 700Amps |