

MICRO SWITCH

A DIVISION OF HONEYWELL
FED. MFG. CODE 91929

**INTEGRAL
PROXIMITY SWITCH**

113FW41-R2

THIS DRAWING COVERS A PROPRIETARY ITEM AND IS THE PROPERTY OF MICRO SWITCH A DIVISION OF HONEYWELL THIS DRAWING IS NOT TO BE COPIED OR USED WITHOUT THE APPROVAL OF MICRO SWITCH.

113FW41-R2

M

DRAWING NUMBER

ISSUE 3

REVISIONS

1-23
 6077
 1106
 60576
 2-53781
 25 AUG 83

3 0003667
NM
03 MAR 04

0.500-1.0
 DRAWN
 MEP 2-11-81

REPLACES L50218IMEA

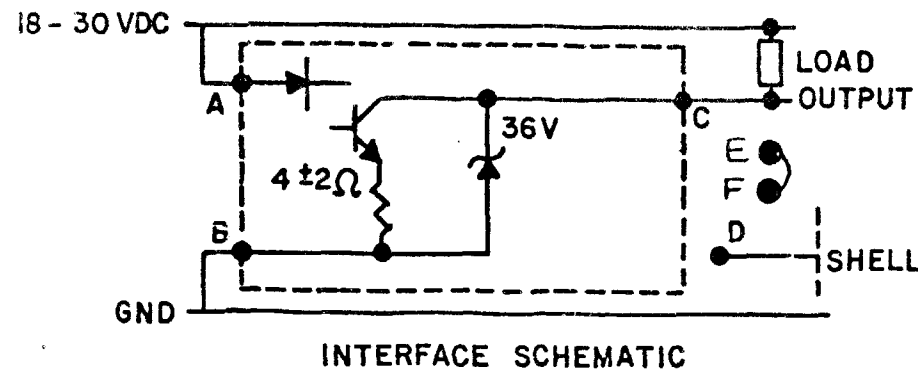
RELEASE NO.

CHECK

03/03/2004

MDM

CHECK



ELECTRICAL PARAMETERS

INPUT

VOLTAGE: 18-30 VDC, MIL STD 704
CURRENT: 25 MA MAX

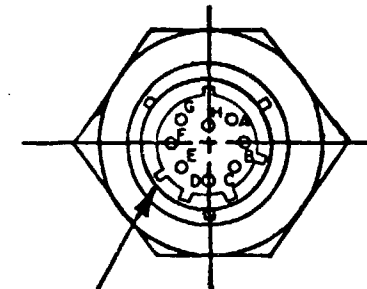
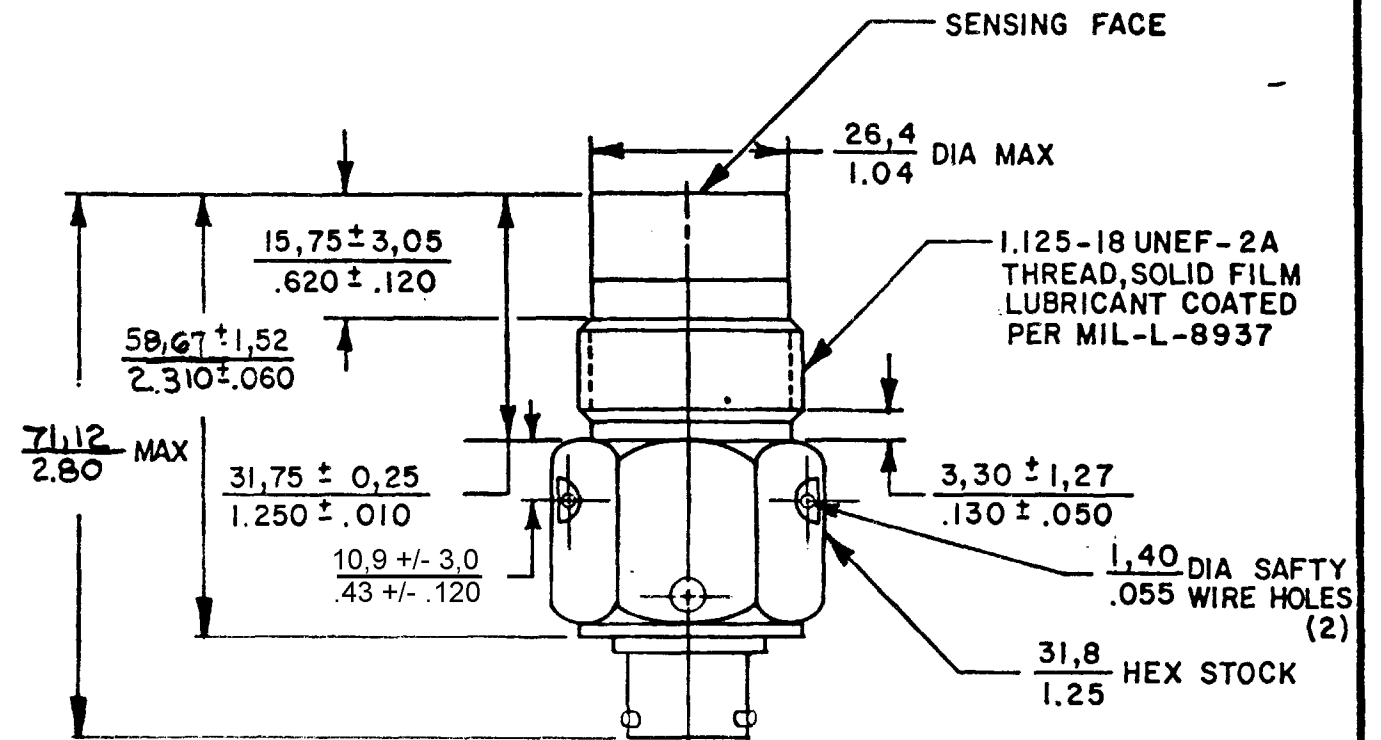
OUTPUT:

TYPE: CURRENT SINK, SPNO, LOAD SHORT PROTECTED Δ
LEAKAGE CURRENT: 10 MICROAMPS MAX
STEADY STATE RATINGS:
RESISTIVE: 100 MILLIAMPS MAX
INDUCTIVE: 100 MILLIAMPS MAX
LOAD VOLTAGE: 30 VDC MAX
SATURATION VOLTAGE: 2.0 VDC MAX

Δ	OPERATE POINT (WITH STANDARD ACTUATOR):	$6.35^{+1.27}_{-0.64}$
		$.250^{+.050}_{-.025}$
	(WITH STEEL ACTUATOR):	7.62 MIN
		$.300$
	DIFFERENTIAL TRAVEL - - - - -	0.51 MAX
		$.020$

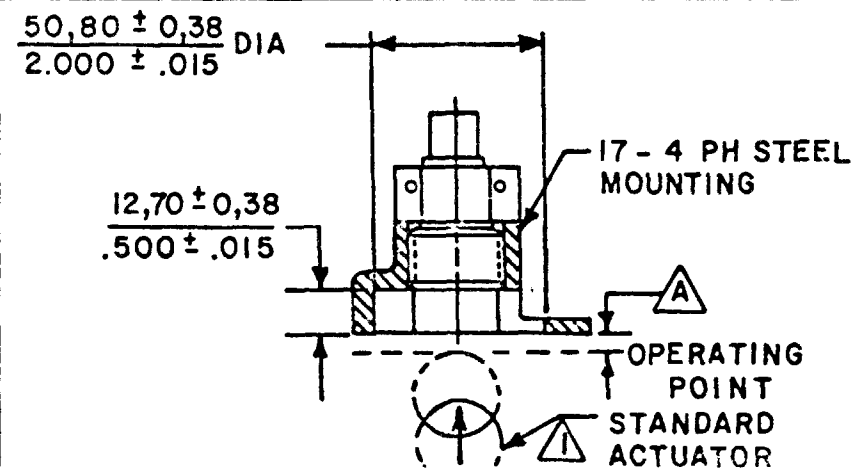
NOTES

- Δ STANDARD ACTUATOR $\frac{30.02}{1.182}$ DIA X $\frac{38.1}{1.50}$ LONG 7075T651 AL ALLOY
- 2 - HOUSING MATERIAL - 300 SERIES STAINLESS STEEL
- Δ "A" SUPPLY VOLTAGE; "B" SUPPLY RETURN; "C" LOAD; "D" SHELL; "E" SHORTED TO "F"
- 4 - TEMPERATURE RANGE: -65°F TO +257°F OPERATING; -65°F TO +160°F STORAGE
- Δ SWITCH WILL NOT BE DAMAGED IF OUTPUT TERMINAL IS MISCONNECTED TO +28 VDC OR NEG FOR 30 MIN
- 6 - MTBF: GREATER THAN 100,000 HOURS
- 7 - COUNT RATE: GREATER THAN 2000 PULSES/MIN. (WITH STANDARD ACTUATOR AND $\frac{1.3}{.05}$ TO $\frac{5.08}{.200}$ GAP DISTANCE) IN SPECIFIED 17-4 PH STEEL MOUNTING



MATES WITH MS 3116-12-85 Δ

HEAD-ON MODE DETAIL



THIRD ANGLE PROJECTION			
SCALE FULL			
DO NOT SCALE PRINT			
TOLERANCES			
APPLY TO DESIGN UNITS. CONVERSIONS ARE ONLY FOR REFERENCE. UNLESS NOTED, TOLERANCES ARE:			
NO PLACES	DIM.	TOL.	DIM.
ONE PLACE	IN	± .005	IN
TWO PLACES	IN	± .0005	IN
THREE PLACES	IN	± .00005	IN
FOUR PLACES	IN	± .000005	IN
DESIGN UNITS		METRIC	US CUSTOMARY
		<input type="checkbox"/>	<input checked="" type="checkbox"/>
HAR MATERIAL-COMMERCIAL STANDARD			
MICRO SWITCH STANDARDS APPLY			
DIMENSIONS ARE TO BE MET BEFORE MOUNTING TO MOUNTING AND APP. 120			