

SPECIFICATIONS

Material: E-SEELS -- Silicone rubber polymer type ASTM D 1418

Mounting Nut: E-SEELS: Brass, black-oxide

Temperature Range: E-SEELS: -80°F to +400°F

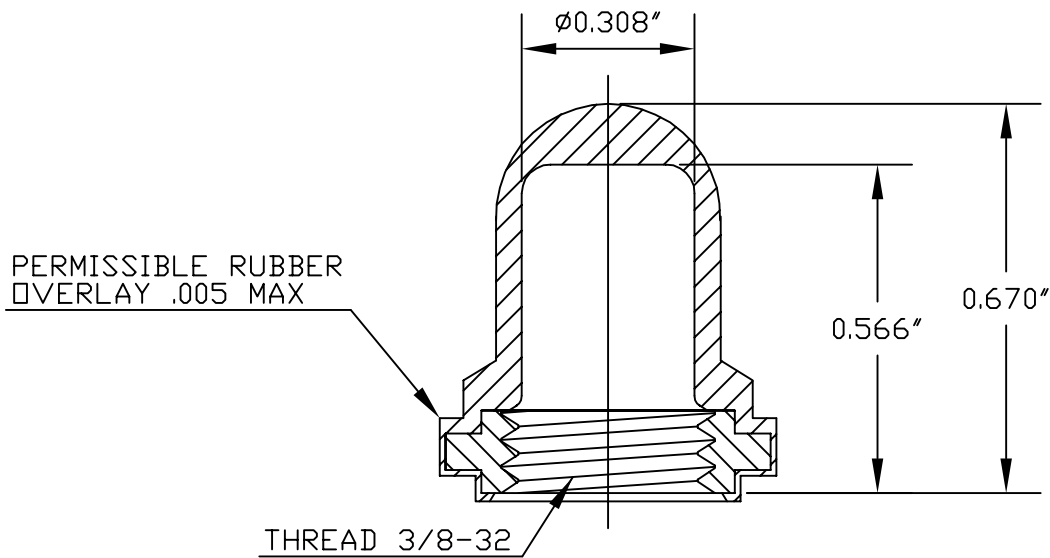
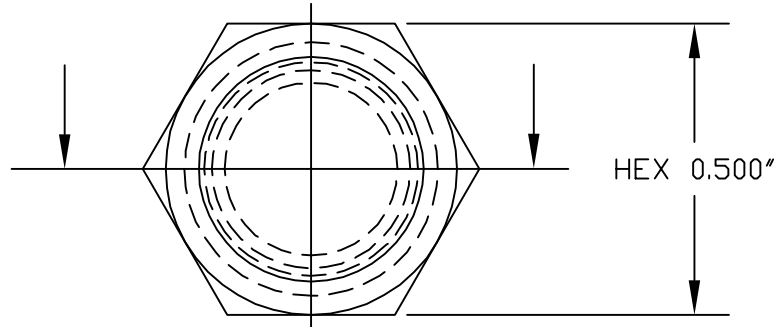
Pressure Range: Exceeds 15 psi internal and 1500 psi external.

Operational Life: 50,000 actuations (minimum).

Shelf Life: Excess of 25 years.

Resistant to: Salt spray, sunlight, ozone, weather, fungus, and most acids and lubricating oils

Agency Recognition: UL & ULC Recognized to UL Std. 50



B	UPDATED DIMENSIONS		07.14.08
A	CAD COMPUTER GENERATED		09.23.02
REV.	DESCRIPTION		DATE
MAXIMUM AND MINIMUM MEASUREMENTS ARE STATED DIRECTLY ON EACH DIMENSION.	TITLE:	BOOT, PUSHBUTTON	ENG. S. GOK 07.14.08
			DWN. S. GOK 07.14.08
			CHKD. J. CELLA 07.14.08
MAT'L: SILICONE RUBBER ASTM D 1418	APM-HEXSEAL CORPORATION	SCALE	DWG. NO. 1231/35
FINISH: CLEAR		3:1	

THIS DRAWING COVERS PROPRIETARY ITEM AND IS THE PROPERTY OF THE APM-HEXSEAL CORPORATION.
THIS DRAWING IS NOT TO BE COPIED OR USED WITHOUT THE WRITTEN APPROVAL OF AN OFFICER OF THE APM-HEXSEAL CORPORATION.