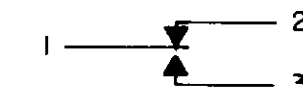


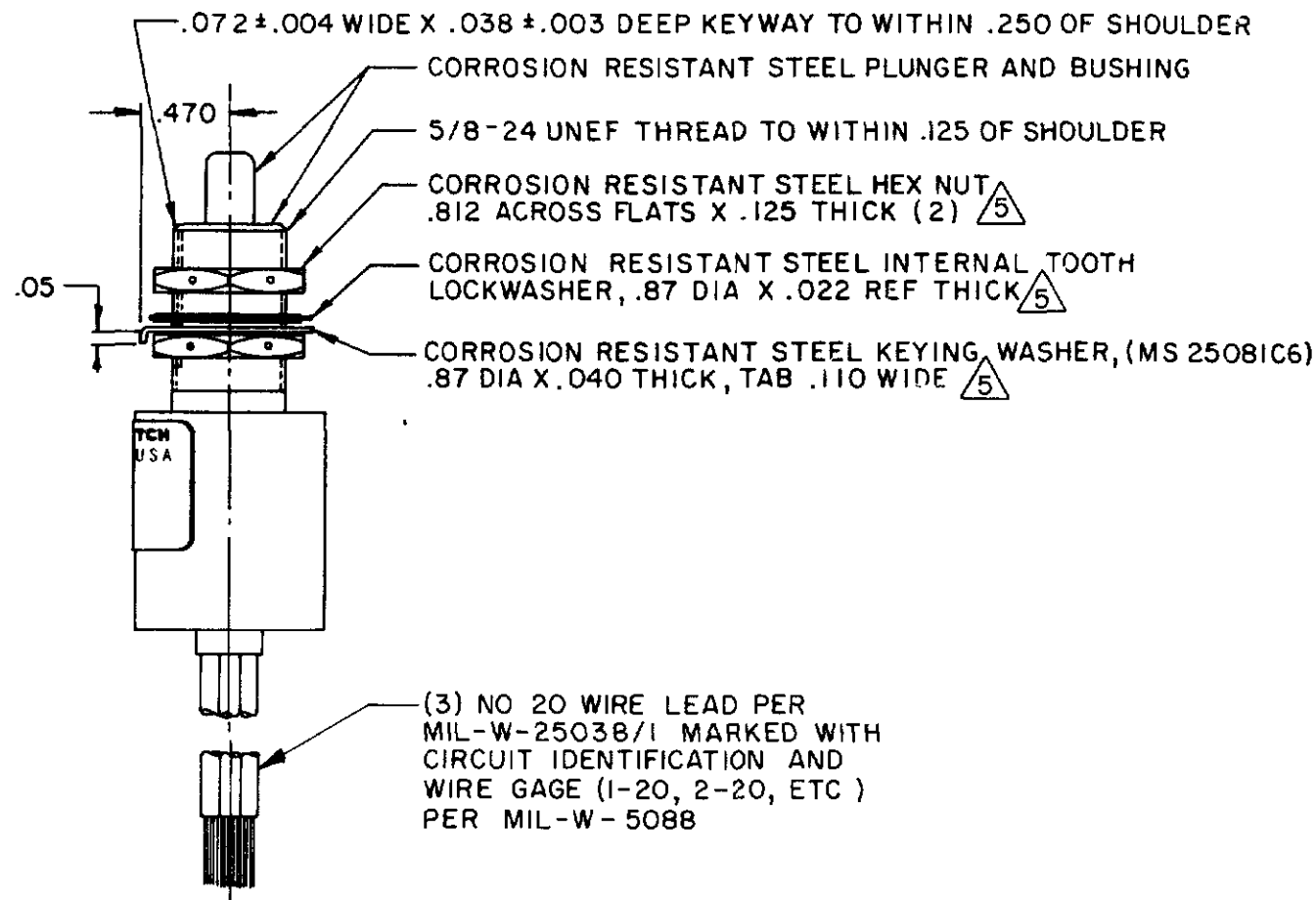
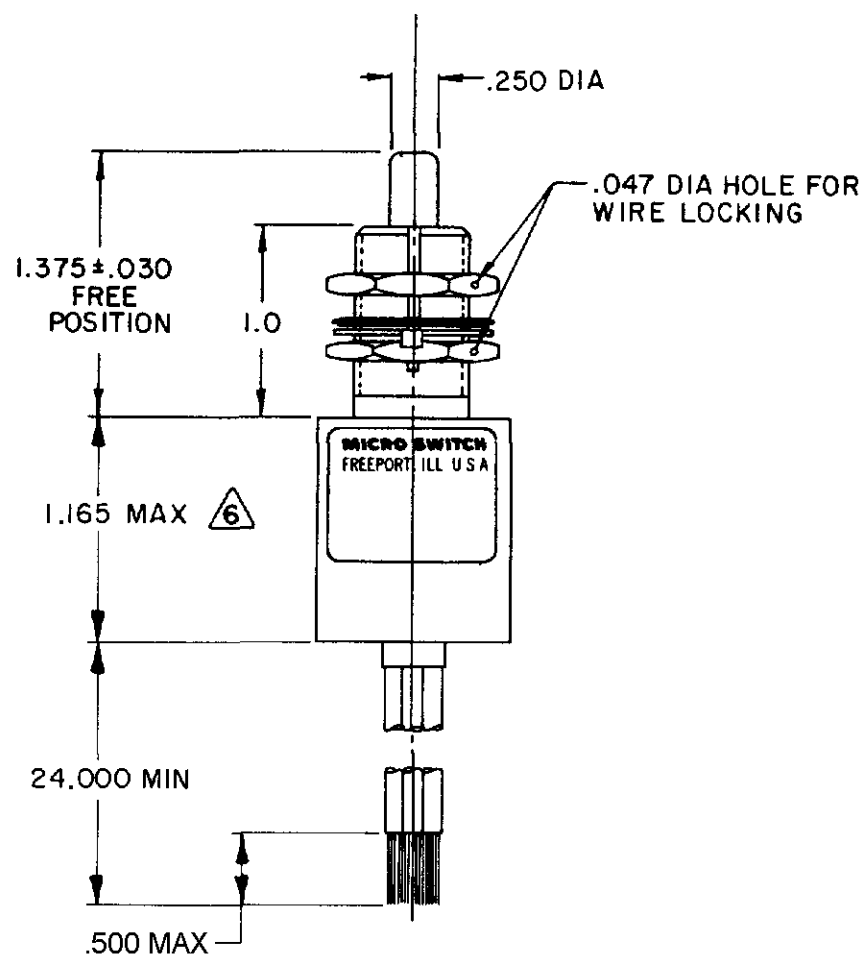
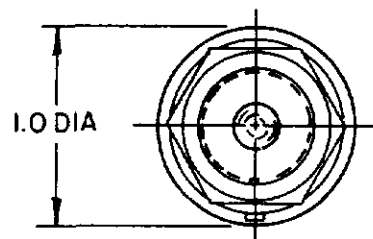
MICRO SWITCH
 FREEPORT ILLINOIS U.S.A.
 A DIVISION OF HONEYWELL
 FED MFG CODE 91929

SWITCH - ENCLOSED

CATALOG LISTING
1EN564-2B



CIRCUIT DIAGRAM



1EN564-2B
 DRAWING NUMBER
 M
 ISSUE 6
 REVISIONS
 A PR-14606 14 MAR 86
 B C066712 21 DEC 89
 C C074101 1 FEB 93
 D 77048 5 AD 18 MAY 94
 E 203868
 TSM 17 SEP 01
 RASTOR FO-9288-1-B
 DRAWN C J H
 CHECK K A G
 14 MAR 86
 15 MAR 86
 REPLACES PR-14606

THIS DRAWING COVERS A PROPRIETARY ITEM AND IS THE PROPERTY OF MICRO SWITCH A DIVISION OF HONEYWELL THIS DRAWING IS NOT TO BE COPIED OR USED WITHOUT THE APPROVAL OF MICRO SWITCH		SCALE FULL	
CHARACTERISTICS		ELECTRICAL DATA	
OPERATING FORCE	3-6 LB	CONTACT ARRANGEMENT	
FULL OVERLOAD FORCE	17 LB MAX	S P D T	
RELEASE FORCE	2 LB MIN	LOAD	
PRETRAVEL	.040 MAX	28 VDC	
DIFFERENTIAL TRAVEL	.020 MAX	SEA LEVEL	50,000 FT.
OVERTRAVEL	.250 MIN	RES	4
		IND	2
		MOTOR	4
		WEIGHT 7.5 OZ MAX	

- NOTES
- 1 - CORROSION RESISTANT STEEL ENCLOSURE
 - 2 - SWITCH SEALED PER MIL-PRF-8805 SYMBOL 4
 - 3 - CIRCUIT DIAGRAM AND CATALOG LISTING ARE SHOWN ON NAMEPLATE
 - 4 - COINCIDENCE OF OPERATING AND RELEASING POINTS: .010 OF PLUNGER TRAVEL
 - 5 - HARDWARE MAY BE PACKAGED UNASSEMBLED PER MIL-PRF-8805
 - 6 - THIS DIMENSION EXCLUDES THE RESILIENT POTTING MATERIAL ON THE BOTTOM OF SWITCH

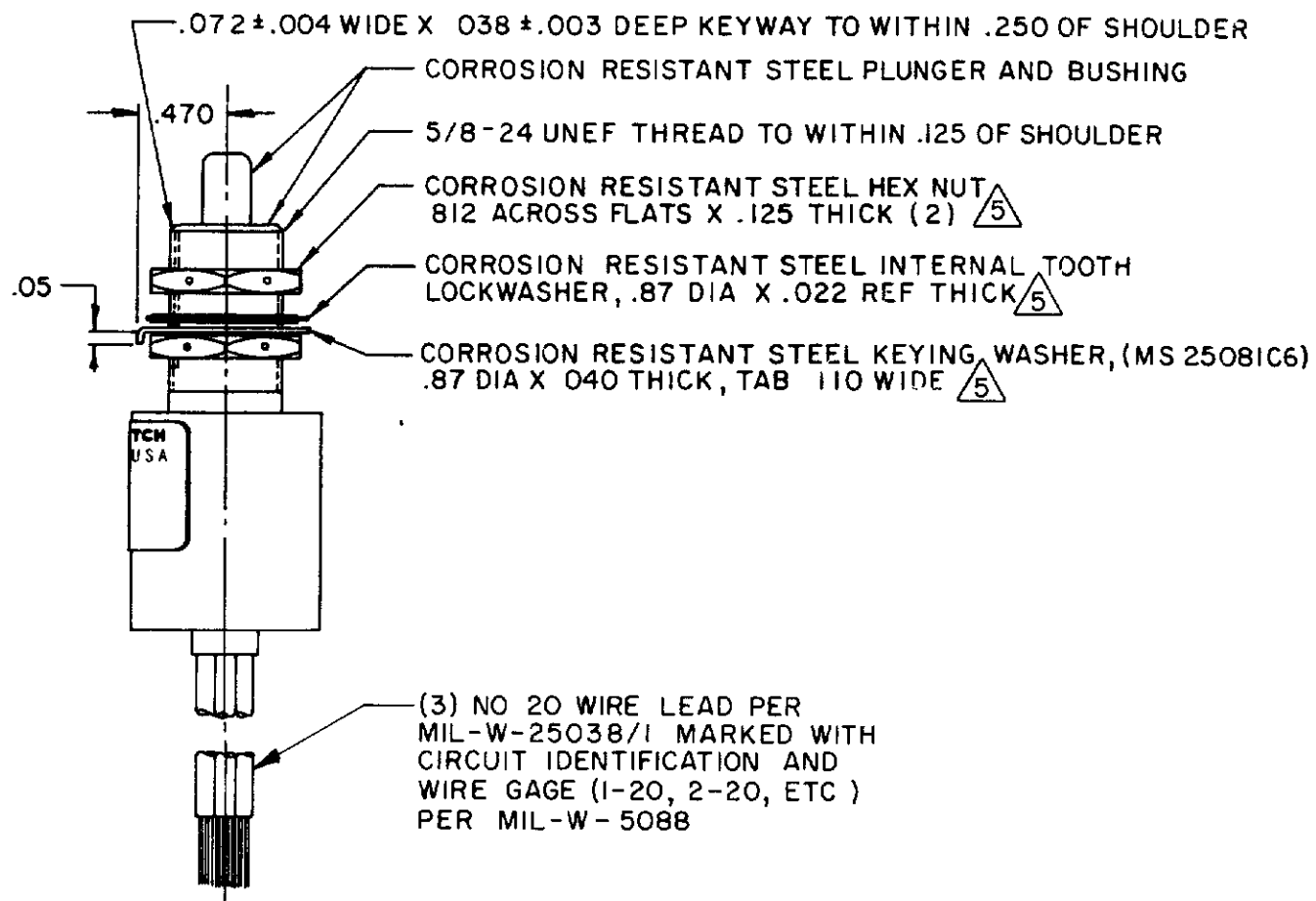
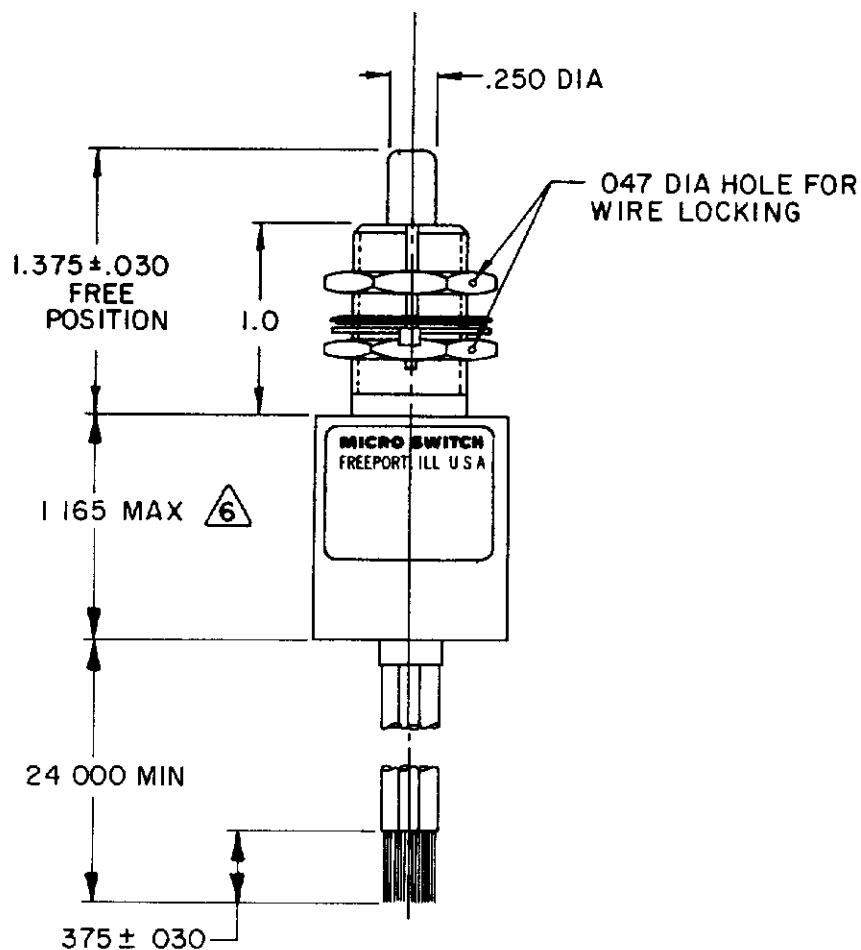
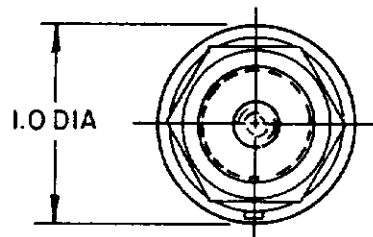
MICRO SWITCH
 FREEPORT ILLINOIS U S A
 A DIVISION OF HONEYWELL
 FED MFG CODE 91929

SWITCH - ENCLOSED

CATALOG LISTING
1EN564-2B



CIRCUIT DIAGRAM



1EN564-2B
 DRAWING NUMBER
 M
 ISSUE 45
 REVISIONS
 A PR-14606 C J H 14 MAR 86
 B C066712 T J O 21 DEC 89
 C C074101 L J P 1 FEB 93
 D 772048 S A D 18 MAY 94
 CHECK KAG 15 MAR 86
 DRAWN C J H 14 MAR 86
 FO-92881-B

THIS DRAWING COVERS A PROPRIETARY ITEM AND IS THE PROPERTY OF MICRO SWITCH A DIVISION OF HONEYWELL THIS DRAWING IS NOT TO BE COPIED OR USED WITHOUT THE APPROVAL OF MICRO SWITCH		SCALE FULL	
CHARACTERISTICS		ELECTRICAL DATA	
OPERATING FORCE	3-6 LB	CONTACT ARRANGEMENT	
FULL OVERLOAD FORCE	17 LB MAX	S P D T	
RELEASE FORCE	2 LB MIN	28 VDC	
PRETRAVEL	.040 MAX	LOAD	SEA LEVEL 50,000 FT.
DIFFERENTIAL TRAVEL	.020 MAX	RES	4 4
OVERTRAVEL	.250 MIN	IND	2 2
		MOTOR	4
		WEIGHT 7.5 OZ MAX	

- NOTES
- CORROSION RESISTANT STEEL ENCLOSURE
 - SWITCH SEALED PER MIL-S-8805 SYMBOL 4
 - CIRCUIT DIAGRAM AND CATALOG LISTING ARE SHOWN ON NAMEPLATE
 - COINCIDENCE OF OPERATING AND RELEASING POINTS: .010 OF PLUNGER TRAVEL
 - HARDWARE MAY BE PACKAGED UNASSEMBLED PER MIL-S-8805
 - THIS DIMENSION EXCLUDES THE RESILIENT POTTING MATERIAL ON THE BOTTOM OF SWITCH