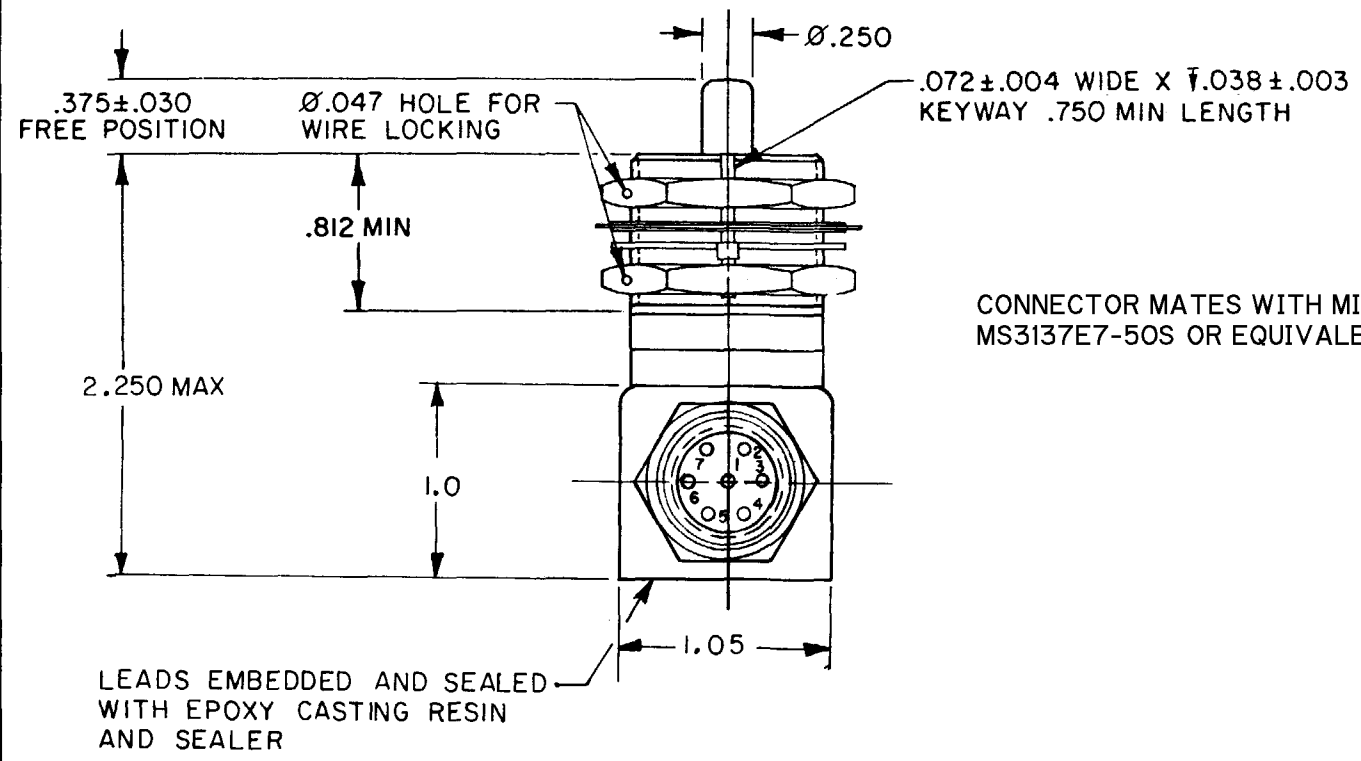
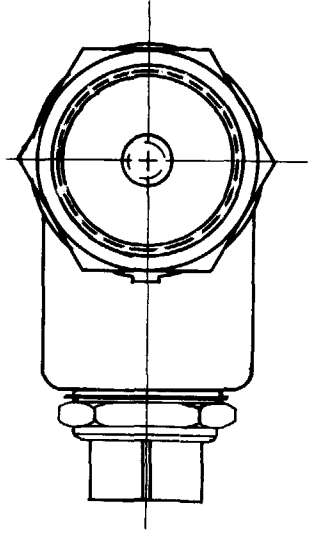
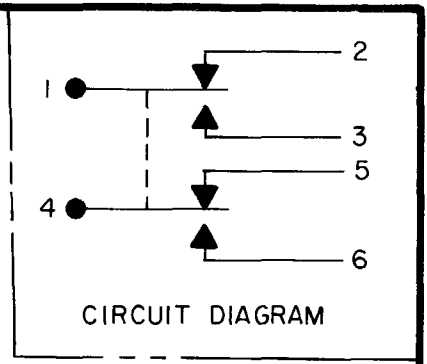


SKETCH I9589
 ISSUE 17
 CATALOG LISTING 1EN76-R
 PAGE 1 OF 1
 REPLACES SR-7520
 RELEASE NO. SR-7520
 CHECK C E D
 19 APR 79
 2 APR 79
 5 AUG 80
 25 JUN 98
 12 JAN 99
 23 APR 99
 12 MAY 99
 FORMTEK DRAWN S L B

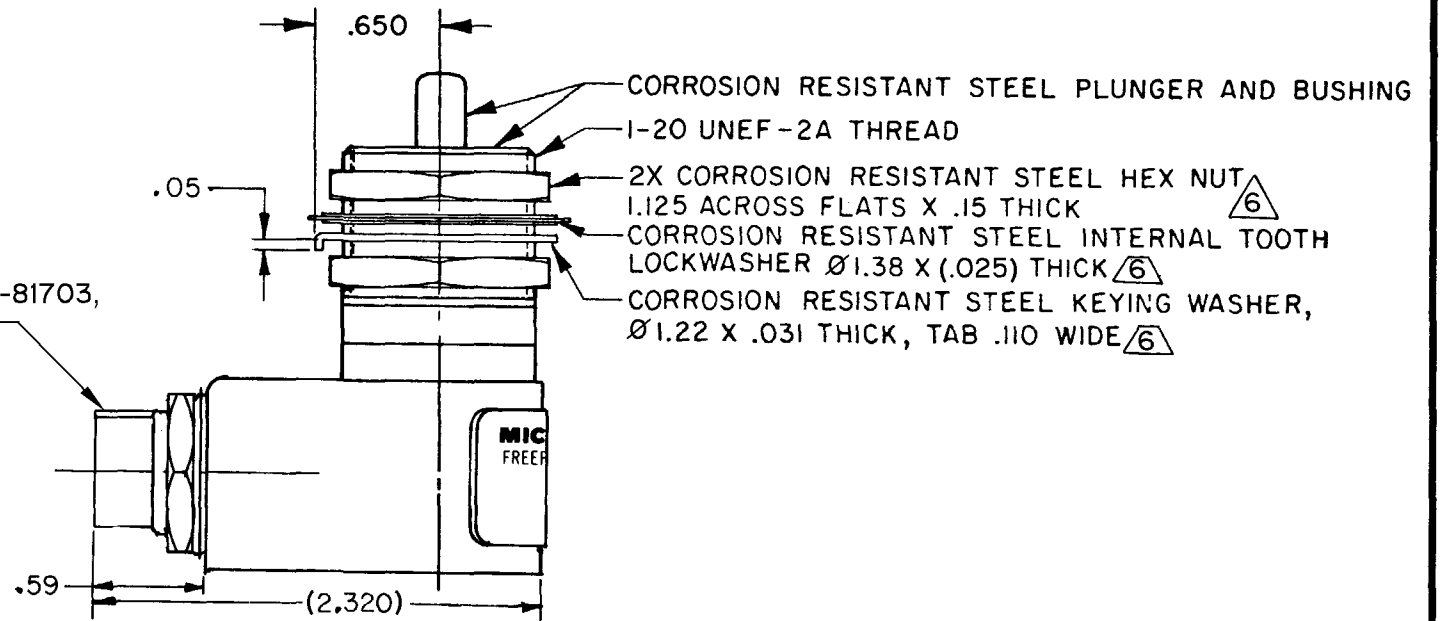
MICRO SWITCH
 FREEPORT ILLINOIS U S A
 A DIVISION OF HONEYWELL
 FED. MFG. CODE 91929

SWITCH - ENCLOSED

CATALOG LISTING
1EN76-R



CONNECTOR MATES WITH MIL-C-81703, MS3137E7-50S OR EQUIVALENT



THIS DRAWING COVERS A PROPRIETARY ITEM AND IS THE PROPERTY OF MICRO SWITCH, A DIVISION OF HONEYWELL. THIS DRAWING IS NOT TO BE COPIED OR USED WITHOUT THE APPROVAL OF MICRO SWITCH.

THIRD ANGLE PROJECTION

SCALE FULL
DO NOT SCALE PRINT

| CHARACTERISTICS | |
|-----------------------|-----------|
| OPERATING FORCE | 6-12 LB |
| FULL OVERTRAVEL FORCE | 30 LB MAX |
| RELEASE FORCE | 4 LB MIN |
| PRETRAVEL | .040 MAX |
| DIFFERENTIAL TRAVEL | .020 MAX |
| OVERTRAVEL | .250 MIN |

| ELECTRICAL DATA | |
|---------------------|-----------|
| CONTACT ARRANGEMENT | |
| 2X S P D T | |
| 28 VDC | |
| LOAD | SEA LEVEL |
| RES | 5 |
| IND | 3 |
| MOTOR | 4 |

| TOLERANCES | | | |
|--|--------|--------------|------------|
| APPLY TO DESIGN UNITS. CONVERSIONS ARE ONLY FOR REFERENCE. UNLESS NOTED, TOLERANCES ARE: | | | |
| DIM. | TOL. | DIM. | TOL. |
| NO PLACES | mm/in | in | mm/in |
| ONE PLACE | X .04 | X .01 | 0.07/0.03 |
| TWO PLACES | X .XX | X .XX | 0.38/0.015 |
| THREE PLACES | X .XXX | X .XXX | 0.13/0.005 |
| ANGLES | | | |
| SI METRIC | | US CUSTOMARY | |
| DESIGN UNITS <input type="checkbox"/> SI METRIC <input checked="" type="checkbox"/> US CUSTOMARY | | | |
| RAW MATERIAL - COMMERCIAL STANDARD | | | |
| MICRO SWITCH STANDARDS APPLY | | | |
| DIMENSIONS ARE TO BE MET BEFORE PROTECTIVE COATINGS ARE APPLIED | | | |
| WEIGHT 8.0 OZ MAX | | | |

NOTES
 1 - CORROSION RESISTANT STEEL ENCLOSURE FINISHED WITH GREEN EPOXY BASED ENAMEL COLOR NO. 34151 PER FEDERAL STANDARD 595
 2 - SWITCH SEALED PER MIL-PRF-8805 SYMBOL 4
 3 - CIRCUIT DIAGRAM, DATE CODE, FED. MFG. CODE AND CATALOG LISTING ARE SHOWN ON NAMEPLATE
 4 - COINCIDENCE OF OPERATING AND RELEASING POINTS: .010 OF PLUNGER TRAVEL
 6 - HARDWARE MAY BE PACKAGED UNASSEMBLED PER MIL-PRF-8805
 ANSI Y14.5M-1982 APPLIES