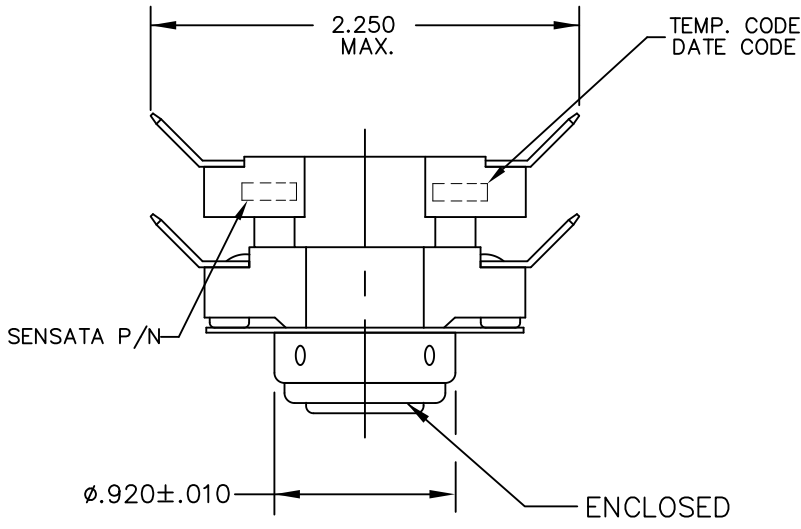
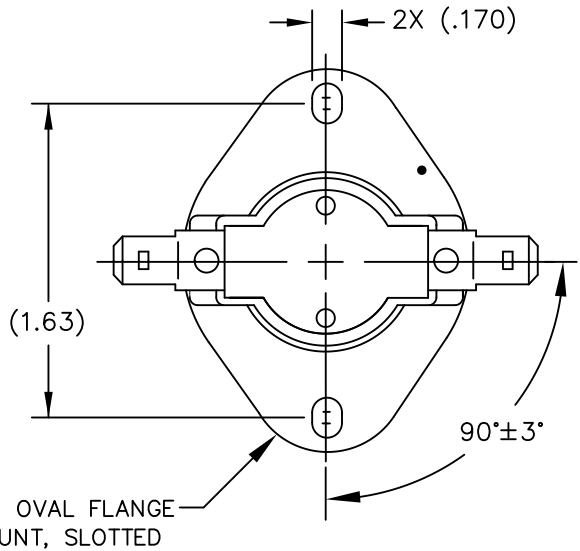


REV.	REVISION DESCRIPTION	ECN NO.	DATE
B	MOVED SENSATA P/N, TEMP CODE, DATE CODE FROM FLANGE TO SIDE OF BASE; AL	ECO-336091	08-NOV-2019

OPERATING TEMPERATURE:
OPEN TEMP. 140° F ±5°
CLOSE TEMP. 110° F ±7°
TEMP. CODE; L140-3.0



FOR REFERENCE ONLY, CHECK LATEST REVISION BEFORE USE.
PARTS MADE TO THIS PRINT MUST CONFORM TO E9898 REV. E

DRAWN DAVID PIKE DATE 27-APR-2010
ENGINEER ALAN AMORE DATE 27-APR-2010
APPROVED
DATE APPROVED
DATE

SENSATA TECHNOLOGIES PROPRIETARY AND CONFIDENTIAL. NEITHER THIS PRINT NOR THE INFORMATION CONTAINED HEREON IS TO BE USED AGAINST THE INTERESTS OF SENSATA TECHNOLOGIES OR AGAINST THE INTERESTS OF ANY OF ITS AFFILIATED COMPANIES OR WHOLLY OWNED SUBSIDIARIES.

INTERPRET DIMENSIONING AND TOLERANCING PER ASME Y14.5-2009. UNLESS OTHERWISE SPECIFIED DIMENSIONS ARE IN INCHES.

TOLERANCES

DECIMALS	ANGLES
----------	--------

DO NOT SCALE DRAWING

THIRD ANGLE PROJECTION

	529 PLEASANT STREET P.O. BOX 2964 ATTLEBORO, MA 02703	
TITLE	3/4" S.P.S.T. AUTO RESET THERMOSTAT	
SIZE	DWG NO.	REV.
A	20652L2-2	B
SCALE	1:1	AUTOCAD SHEET 1 OF 1

DEVICE: PROJECT: