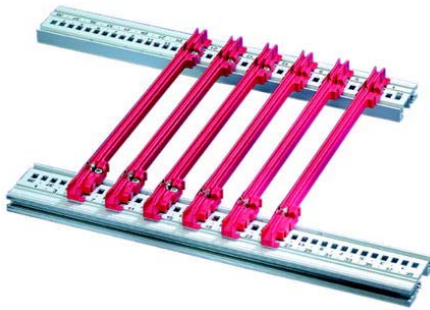


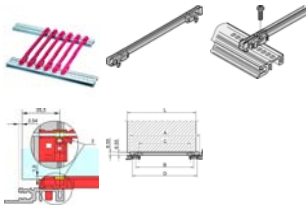
**Schroff****Guide rails, standard, 160 mm deep**

Catalog Number: 24560-351

- Plastic guide rail, one piece, red, for 2 mm groove width
- Can be clipped into horizontal rails in Al extrusionCan be clipped into 1.5 mm thick plate
- Storage temperature: from -40 °C ... 130 °C
- Assembly



Other Views

**Description****Product family:**

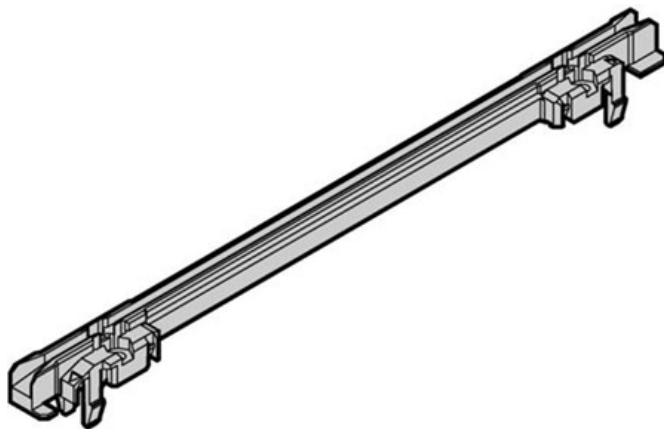
- CompacPRO
- PropacPRO
- RatiopacPRO
- EuropacPRO

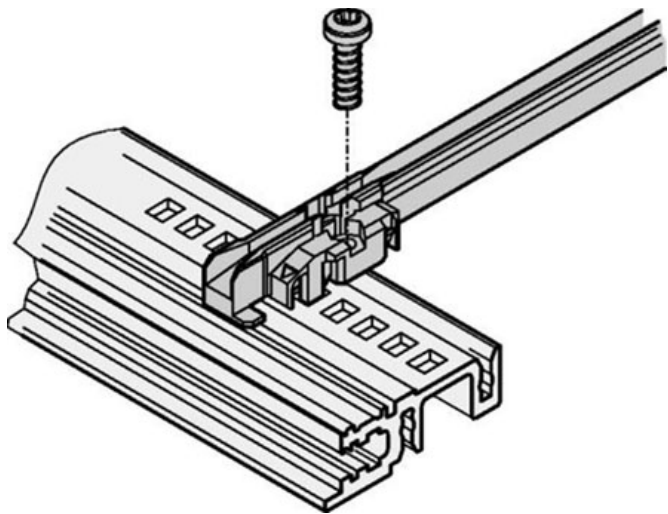
Type:

Individual Components

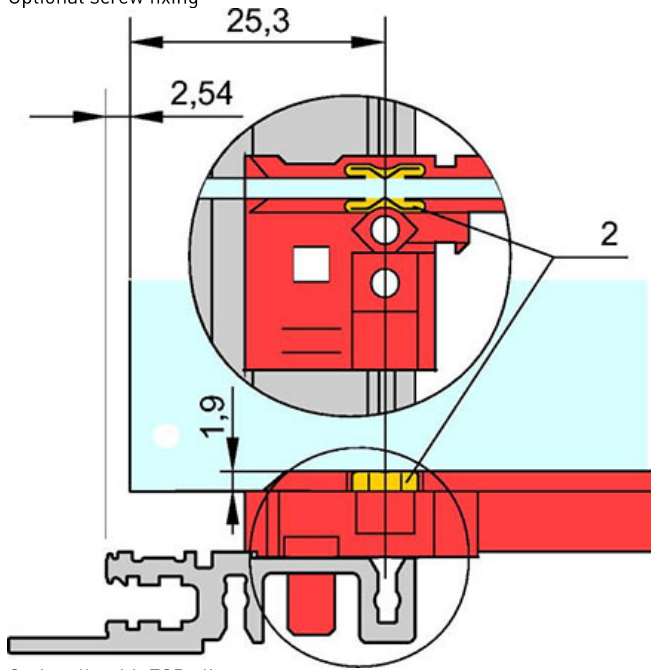
Individual Component Type:

Guide Rails & Accessories

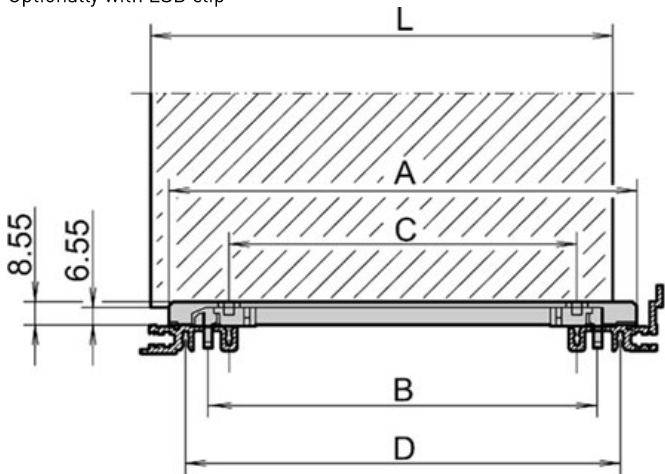




Optional screw fixing



Optionally with ESD clip



Technical Data

Catalog Number	24560-351
Depth mm	160.0
Length mm	160.0
Description	For plug-in units and frame type plug-in units
Material	PBT, UL 94 V-0
Colour	red
Qty	PU 10 pieces

Links



Native CAD files

Accessories

Item		
	Panhead screw with Torx, M2.5 x 9.3, St, zinc-plated, self-locking, PU 100 pieces	21500-039
	Panhead screw, Torx (2.5x9.3), self-tapping, steel zinc plated, PU 100 pcs	24560-141
	ESD clip for guide rails, Spring steel, tin-plated, silver, PU 50 pieces	24560-255