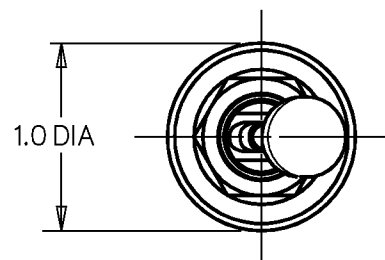


**MICRO SWITCH**  
a Honeywell Division

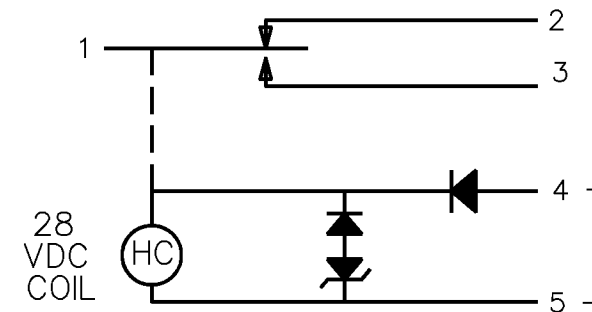
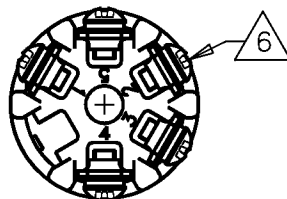
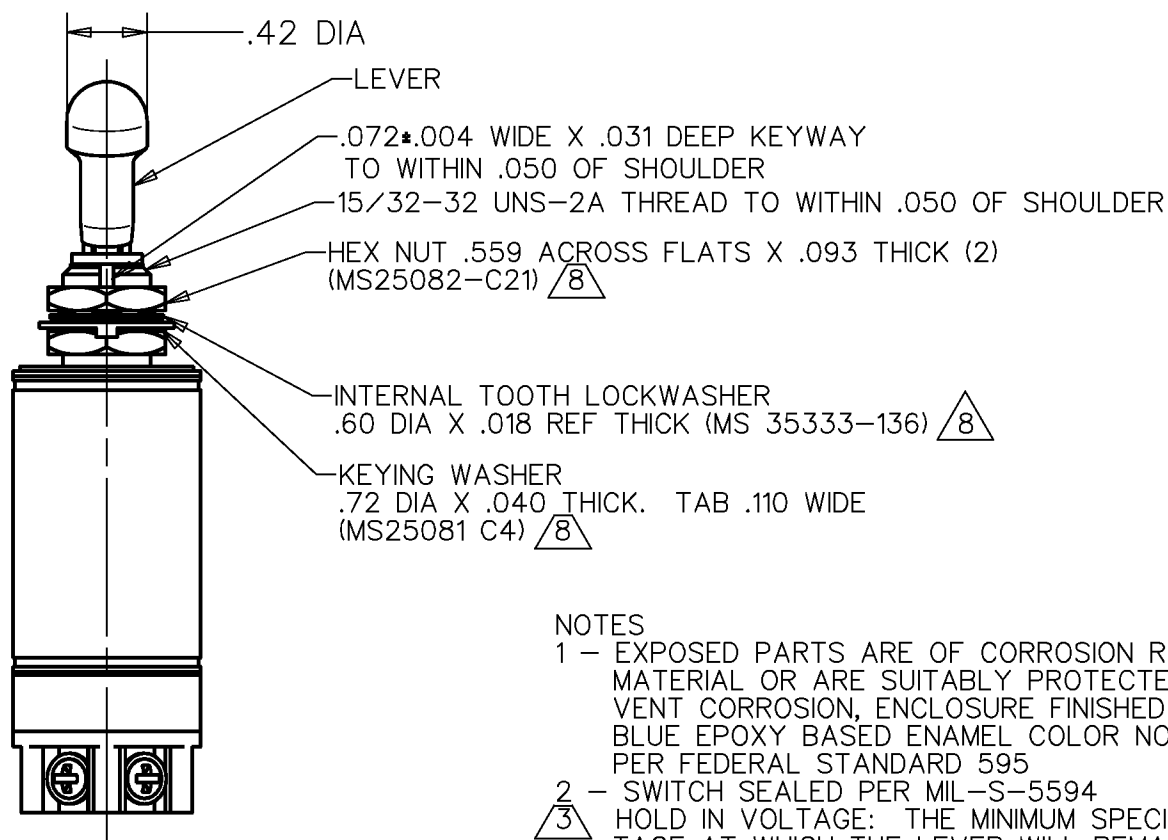
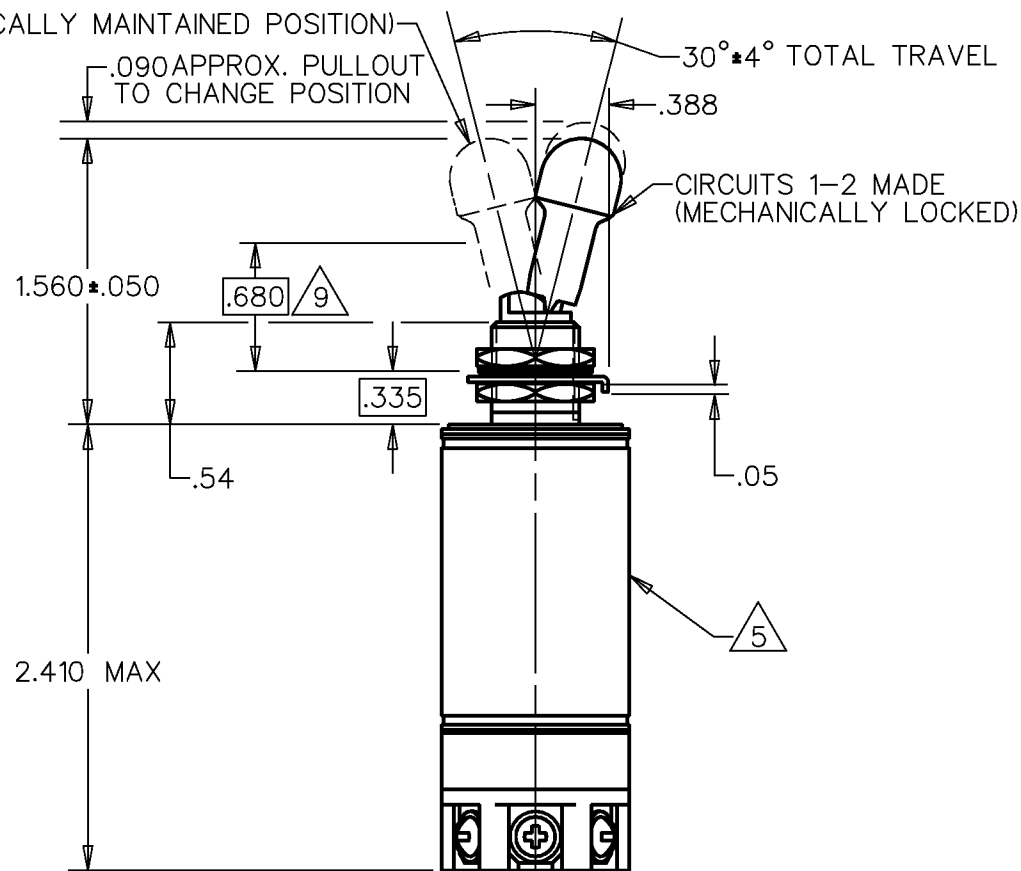
FED. MFG. CODE 91929

**SWITCH - TOGGLE  
(MAGNETIC HOLD-IN)**

CATALOG LISTING  
**25ET79-S-G**  
**5M333-9**



CIRCUITS 1-3 MADE  
(ELECTRICALLY MAINTAINED POSITION)



CIRCUIT DIAGRAM  
(MECHANICALLY MAINTAINED POSITION)

NOTES

- 1 - EXPOSED PARTS ARE OF CORROSION RESISTANT MATERIAL OR ARE SUITABLY PROTECTED TO PREVENT CORROSION, ENCLOSURE FINISHED WITH BLUE EPOXY BASED ENAMEL COLOR NO. 25184 PER FEDERAL STANDARD 595
- 2 - SWITCH SEALED PER MIL-S-5594
- 3 - HOLD IN VOLTAGE: THE MINIMUM SPECIFIED VOLTAGE AT WHICH THE LEVER WILL REMAIN ACTUATED. HOLD IN MAY OCCUR AT A LOWER VALUE. DROP OUT VOLTAGE: THE VOLTAGE RANGE IN WHICH THE LEVER WILL BE RELEASED
- 4 - CIRCUITS CAN BE TRANSFERRED MANUALLY. ENERGIZING THE COIL WILL NOT CAUSE TRANSFER OF CIRCUITS
- 5 - CIRCUIT IDENTIFICATION IS SHOWN ON SWITCH NAS 600-3P SCREW (5) OR EQUIVALENT NAS 620-C4 FLAT WASHER (5) MS35338-135 LOCKWASHER (5)
- 7 - THE DIODES ARE JANTX TYPE AND LIMIT THE EMI: SPIKES (TRANSIENTS OF DURATION LESS THAN 500 MICRO SECONDS) GENERATED BY THE SWITCH COIL SHALL NOT EXCEED +42 VOLTS OR -14 VOLTS ABSOLUTE. PIV 800 V MIN
- 8 - HARDWARE MAY BE FURNISHED UNASSEMBLED PER MIL-S-5594
- 9 - FORCE TO BE APPLIED AT THIS POINT IN A DIRECTION PERPENDICULAR TO THE LEVER LONGITUDINAL AXIS

CATALOG LISTING  
**25ET79-S-G**

PAGE 1 OF 1

ISSUE  
**M**  
9

REVISIONS  
A CO 61410  
D J S  
17 NOV 87  
B C93048  
C J W  
12 NOV 98  
C 0012413  
VK  
22 APR 05

CHECK  
AK

CHECK  
G L H 7DEC87

CHECK  
G L H 7DEC87

CHECK  
G L H 7DEC87

CHECK  
G L H 7DEC87

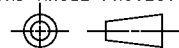
CHECK  
G L H 7DEC87

CHECK  
G L H 7DEC87

DDM/CAD  
DRAWN  
D J S 17NOV87

THIS DRAWING COVERS A PROPRIETARY ITEM AND IS THE PROPERTY OF MICRO SWITCH, A DIVISION OF HONEYWELL. THIS DRAWING IS NOT TO BE COPIED OR USED WITHOUT THE APPROVAL OF MICRO SWITCH

THIRD ANGLE PROJECTION



**CHARACTERISTICS**

<b>SOLENOID RATING AT 20° C</b>	
STEADY STATE LIMITS	20-30 VDC
HOLD IN	10 VDC
DROP OUT	1.5-10 VDC
COIL RESISTANCE	220 OHM MIN
OPERATING FORCE AT 30 VDC	1-7 LB
OVERRIDE FORCE AT 30 VDC	2.5-10 LB

**ELECTRICAL DATA**

CONTACT ARRANGEMENT S P D T	
RATINGS IN AMPHERES	
VOLTAGE	SEA LEVEL
	65,000 FT
28 VOLTS DC	INRUSH RES IND MOTOR
	4 3 4
	INRUSH RES IND MOTOR
	4 2.5 4

SCALE FULL

DO NOT SCALE PRINT

UNLESS OTHERWISE SPECIFIED TOLERANCES ARE

ONE PLACE (.0) ±.030

TWO PLACE (.00) ±.015

THREE PLACE (.000) ±.005

ANGLES ±

WEIGHT 6.0 OZ MAX