

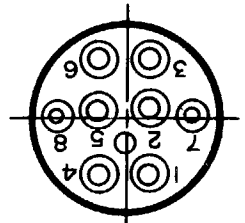
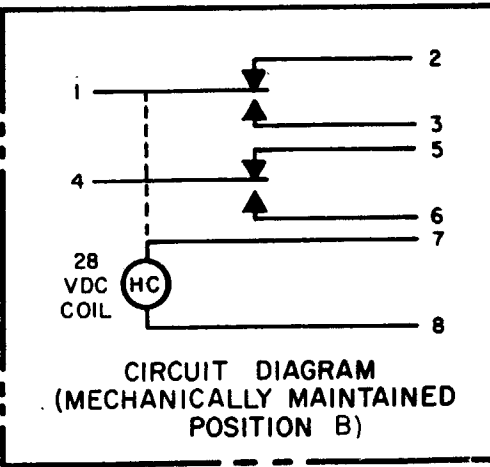
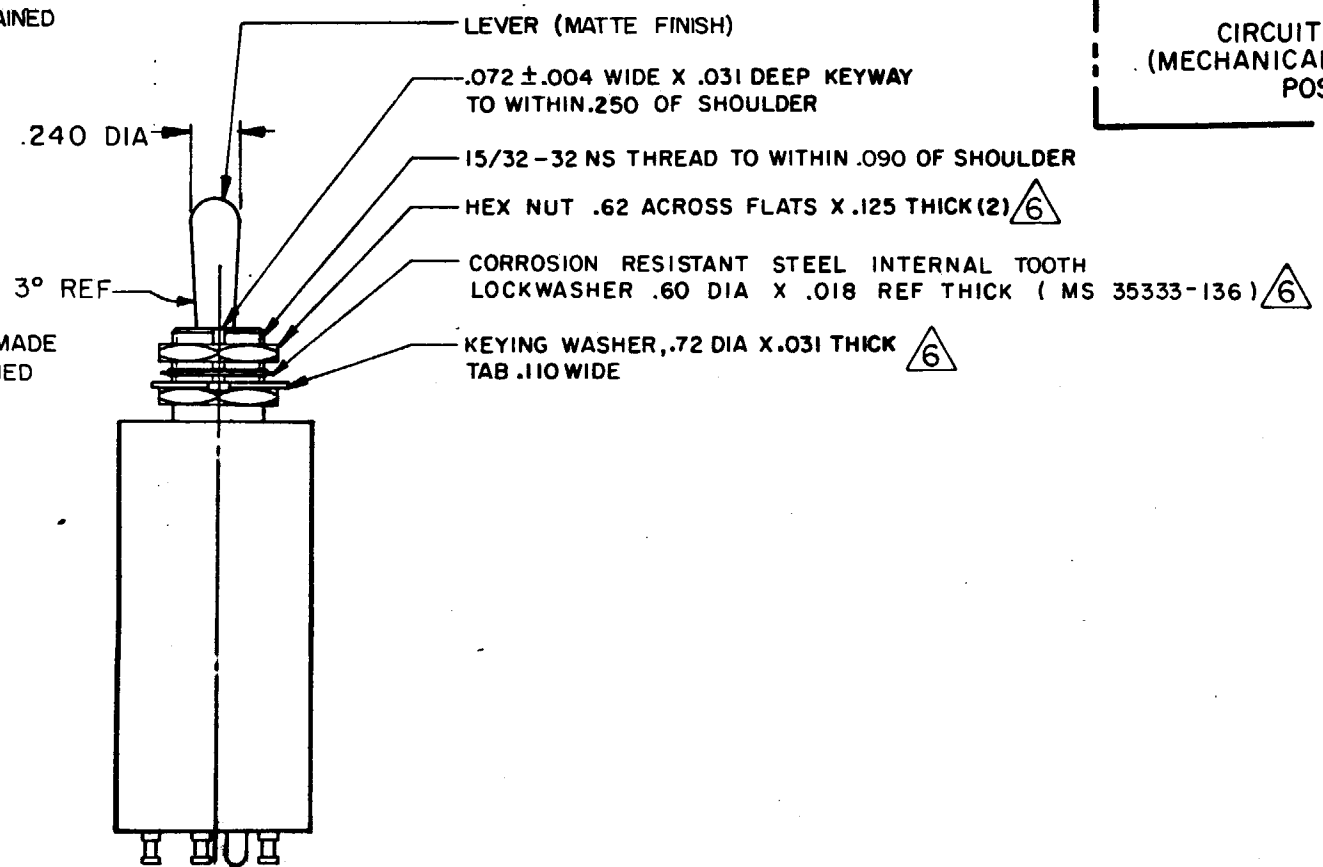
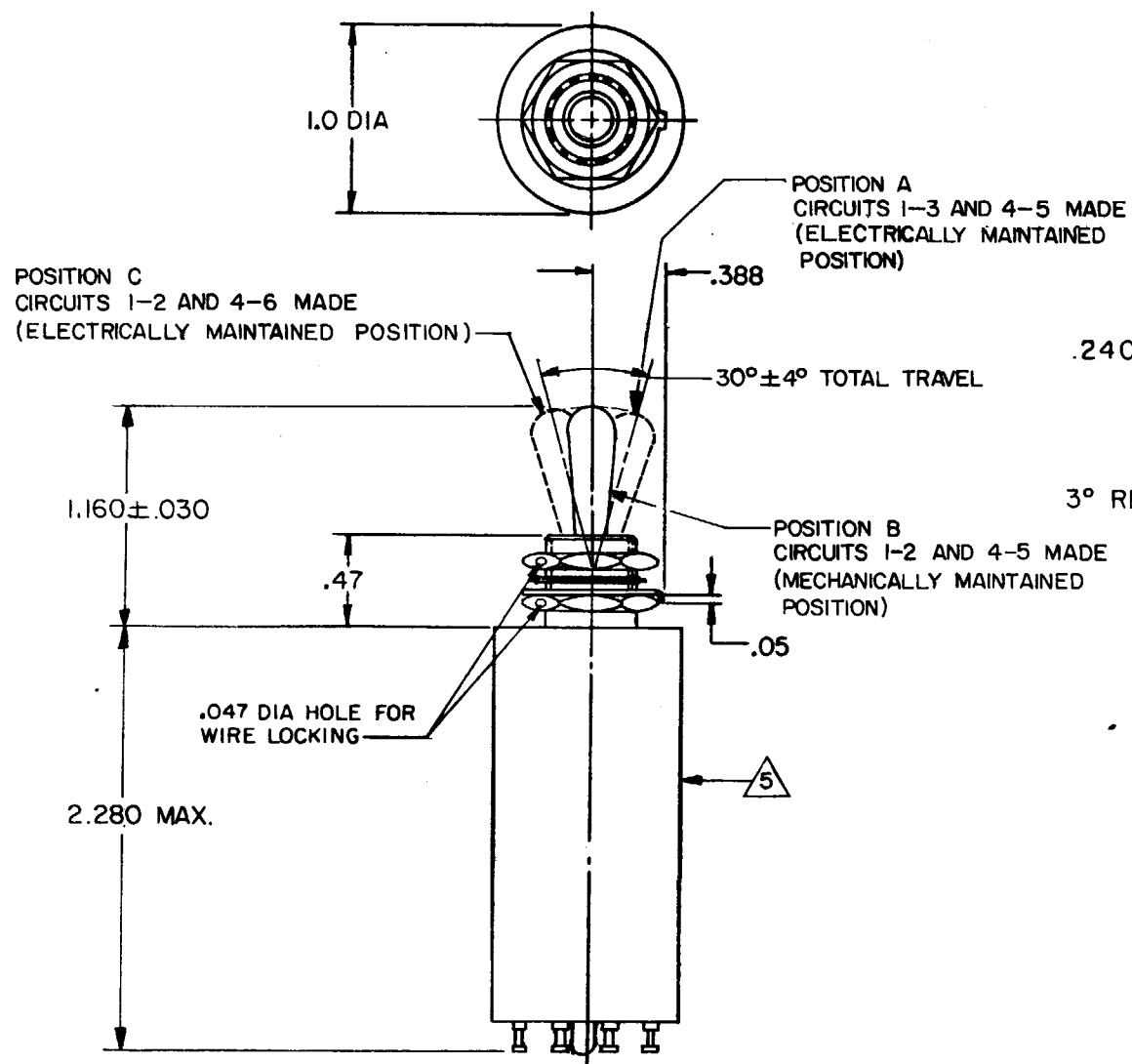
MICRO SWITCH
 FREEPORT ILLINOIS U.S.A.
 A DIVISION OF HONEYWELL
 FED. MFG. CODE 91929

**SWITCH - TOGGLE
 (MAGNETIC HOLD-IN)**

CATALOG LISTING
27ET61-T
 MILITARY STANDARDS PART NO.
 M5594/3-1

THIS DRAWING COVERS A PROPRIETARY ITEM AND IS THE PROPERTY OF MICRO SWITCH A DIVISION OF HONEYWELL. THIS DRAWING IS NOT TO BE COPIED OR USED WITHOUT THE APPROVAL OF MICRO SWITCH.

27ET61-T
 M
 DRAWING NUMBER
 9
 ISSUE
 REVISIONS
 A PR-3840 KPK 10 JAN 74
 B CO 34886 NMR 18 DEC 74
 C CO 44905 TRF 28 OCT 78
 D CO 50162 WJM 6 OCT 81
 E CO53400 JAP 14 JUL 83
 F CO54089 JAP 8 DEC 83
 G CO58589 TSK 9 JAN 86
 H CO 64450 DAW 26 DEC 90
 CHECK
 10 JAN 74
 KPK
 FO-32851
 DRAWN



- NOTES
- EXPOSED PARTS ARE OF CORROSION RESISTANT MATERIAL OR ARE SUITABLY PROTECTED TO PREVENT CORROSION. ENCLOSURE FINISHED WITH BLUE EPOXY ENAMEL COLOR NO. 25184 PER FEDERAL STANDARD 595.
 - SWITCH SEALED PER MIL-S-5594
 - HOLD IN VOLTAGE: THE MINIMUM SPECIFIED VOLTAGE AT WHICH THE LEVER REMAINS ACTUATED HOLD IN MAY OCCUR AT A LOWER VALUE. DROP OUT VOLTAGE: THE VOLTAGE RANGE IN WHICH THE LEVER WILL BE RELEASED.
 - CIRCUITS CAN BE TRANSFERRED MANUALLY. ENERGIZING THE COIL WILL NOT CAUSE TRANSFER OF CIRCUITS.
- 5
 6
 CIRCUIT IDENTIFICATION IS SHOWN ON SWITCH.
 HARDWARE MAY BE FURNISHED UNASSEMBLED PER MIL-S-5594

CHARACTERISTICS 3	ELECTRICAL DATA		SCALE FULL
SOLENOID RATING AT 20°C	CONTACT ARRANGEMENT	DIELECTRIC TEST	DO NOT SCALE PRINT
STEADY STATE LIMITS ----- 20-29 VDC	SPDT (2)		UNLESS OTHERWISE NOTED
HOLD IN ----- 15 VDC	LOAD	28 VDC	DIMENSIONS ARE IN INCHES
DROP OUT ----- 0-15 VDC	Resistive	Sea Level	TOLERANCES ARE:
COL RESISTANCE ----- 220 OHM MIN	Inductive	65,000 feet	ONE PLACE .10 ± .030
OPERATING FORCE ----- 7 LBS MAX			TWO PLACE .001 ± .018
OVERRIDE FORCE AT 29VDC --- 10 LBS MAX			THREE PLACE .0001 ± .008
			ANGLES
			WEIGHT 4.0 OZ MAX