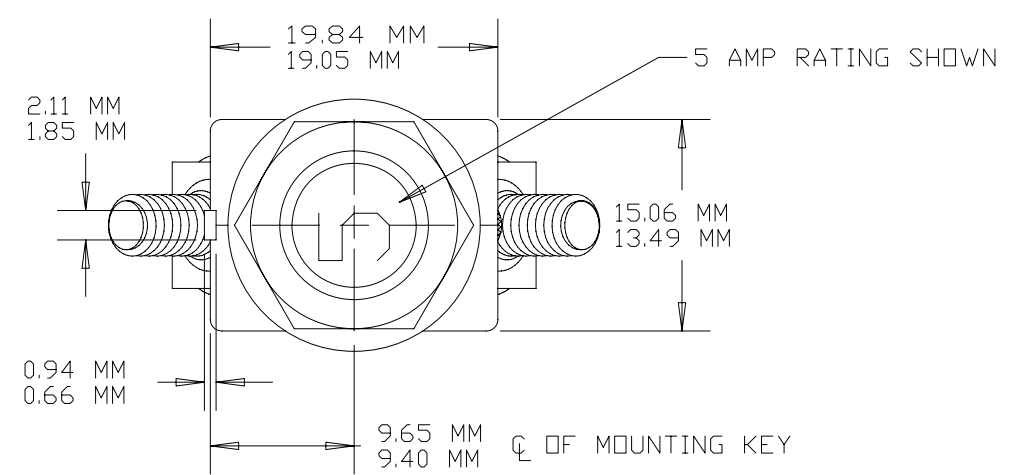


Property of  
Sensata Technologies

ZONE	REV.	REVISION DESCRIPTION	ECN NO.	DATE
	AB	20-25AMP TIME WAS 6-60, NOW 6-20; REMOVE TI LOGO; PD	ECN0037657	17-SEP-2007



PERFORMANCE CHARACTERISTICS

DETAIL PERFORMANCE PER AEROSPATIALE SPEC. NSA931320 AND 462.024/84-A

OVERLOAD CYCLING ----- 100 CYCLES AT 200% RATING  
 VIBRATION ----- CURVE "J" OF EUROCAE ED-14B, 3 G'S, 2000 HZ  
 MECHANICAL SHOCK ----- 50 G'S  
 ACCELERATION ----- 10 G'S  
 SAND AND DUST ----- 12 HOURS  
 CORROSION ----- SALT SPRAY 50 HOURS  
 HUMIDITY ----- 10 DAYS  
 EXPLOSION PROOF ----- WHILE INTERRUPTING RUPTURE CURRENTS

ENDURANCE:

115 VAC	400 HZ INDUCTIVE	2500 CYCLES
28 VDC	400 HZ RESISTIVE	5000 CYCLES
	INDUCTIVE	2500 CYCLES
	RESISTIVE	5000 CYCLES
	NO LOAD	10000 CYCLES

CALIBRATION:

CURRENT RATING	23°C. MIN. ULT. TRIP	23°C. MAX. ULT. TRIP	23°C. 200%	120°C. MIN. ULT. TRIP
1 THRU 3 AMP	115% RATING	140% RATING	2-13 SEC.	100% RATING
5 THRU 15 AMP	115% RATING	140% RATING	4-18 SEC.	100% RATING
20 THRU 25 AMP	115% RATING	140% RATING	6-20 SEC.	100% RATING

RUPTURE:

1 THRU 25 AMP	120 VAC, 400 HZ	65 x NOMINAL CURRENT OR 1000 AMPS RMS WHICHEVER IS LESS
1 THRU 20 AMP	28 VDC	6000 AMPS D.C.
25 AMP	28 VDC	1625 AMPS D.C.

MAXIMUM OPERATING FORCES

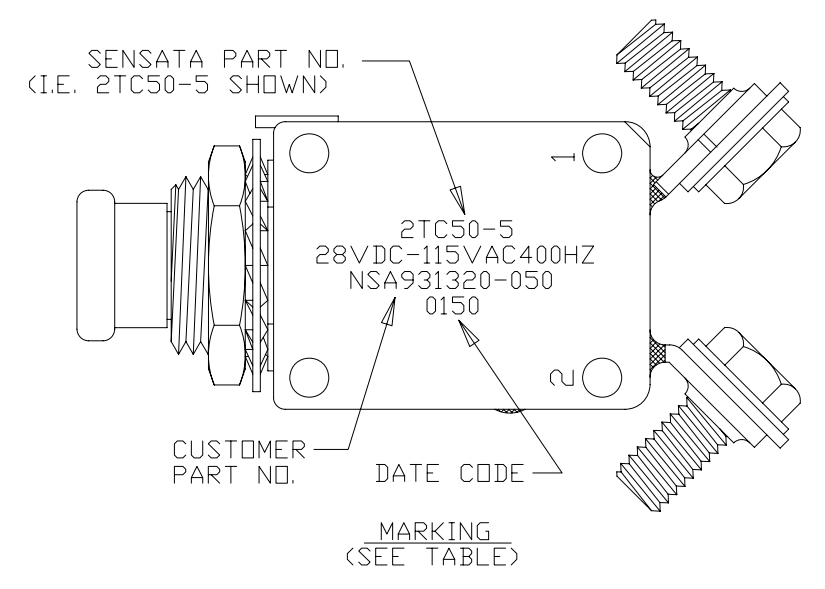
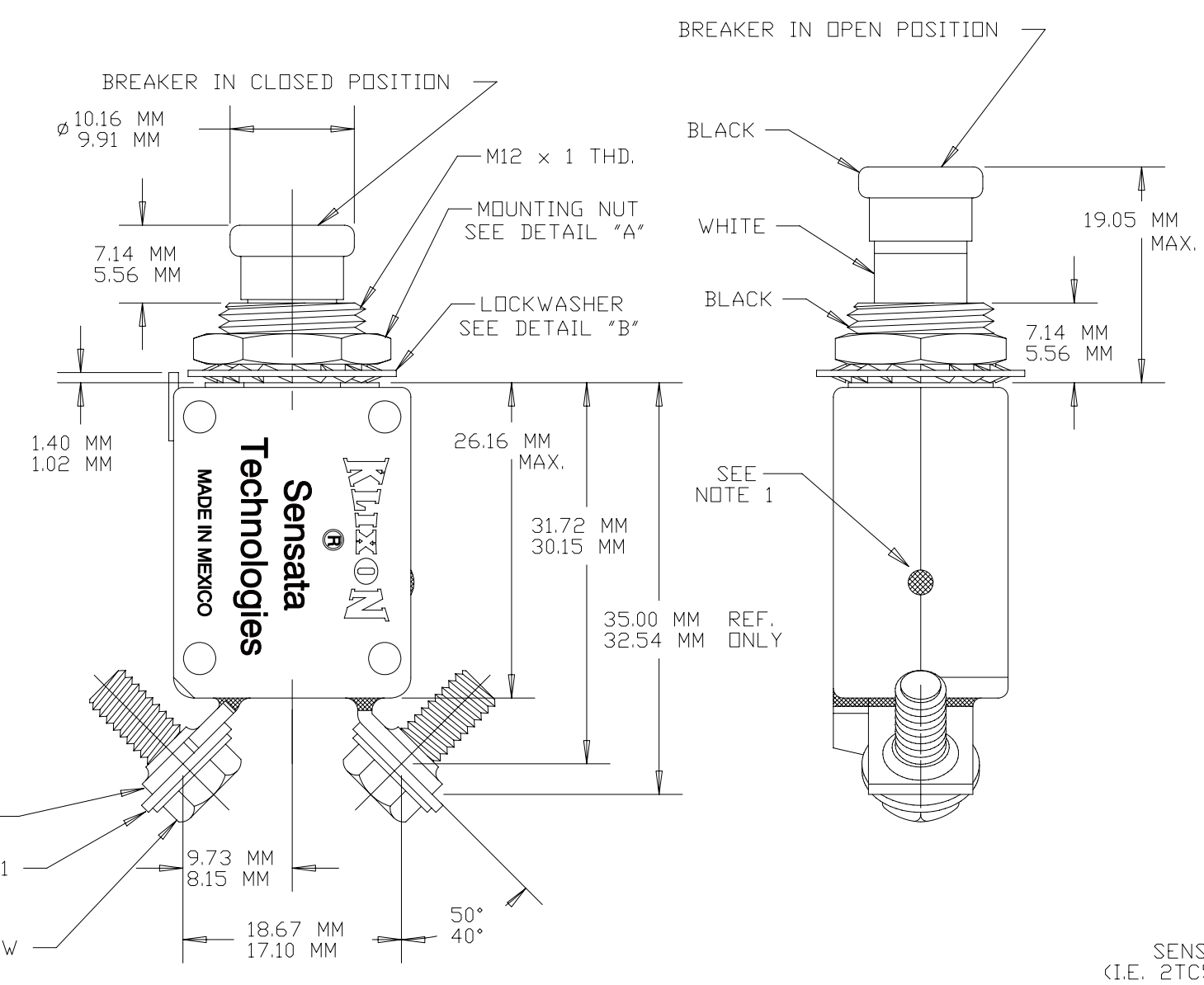
PULL OUT	22.2N (5 LBS. MAX.)
RESET	22.2N (5 LBS. MAX.)

OPERATING ALTITUDE: 22,000 M (72,200 FT.)

WEIGHT: 26.0 GRAMS MAX.

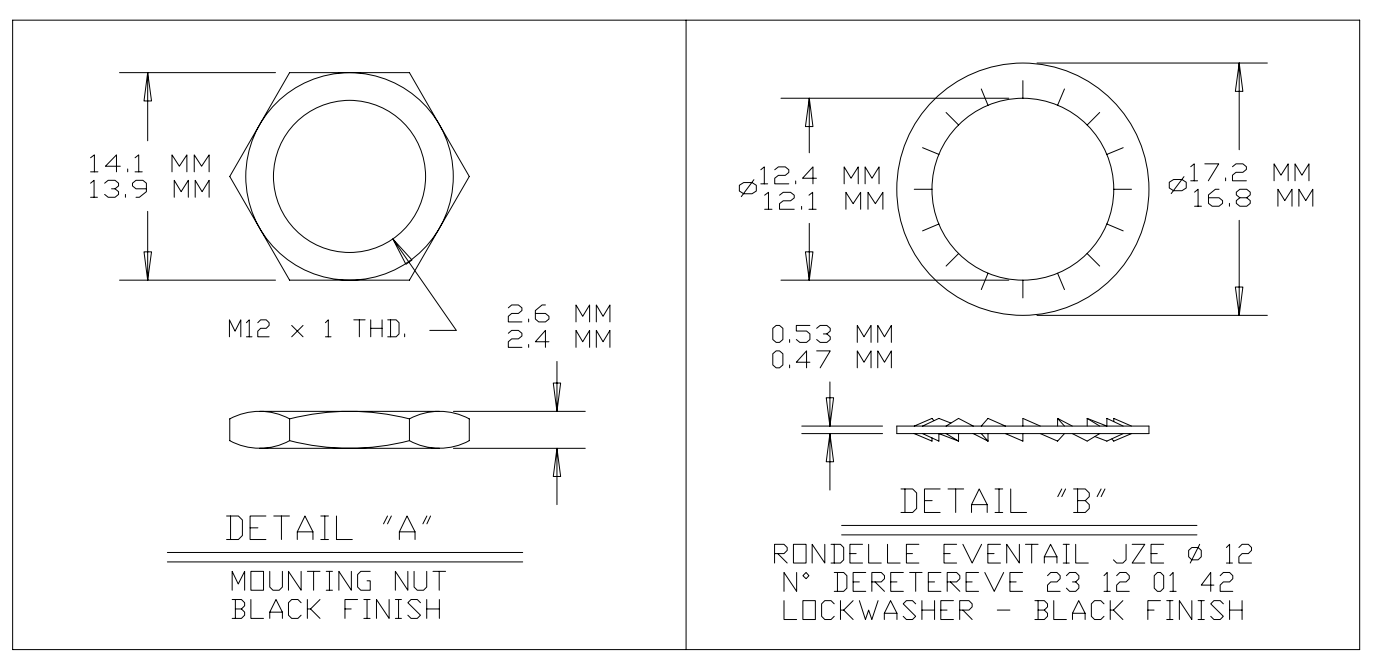
VOLTAGE DROP:

1 AMP	1.10 VOLTS MAX.
2 AMP	0.70 VOLTS MAX.
2.5 AMP	0.50 VOLTS MAX.
3 AMP	0.40 VOLTS MAX.
5 AMP	0.35 VOLTS MAX.
7.5 AMP	0.30 VOLTS MAX.
10 AMP	0.28 VOLTS MAX.
15 AMP	0.25 VOLTS MAX.
20 AMP	0.25 VOLTS MAX.
25 AMP	0.20 VOLTS MAX.

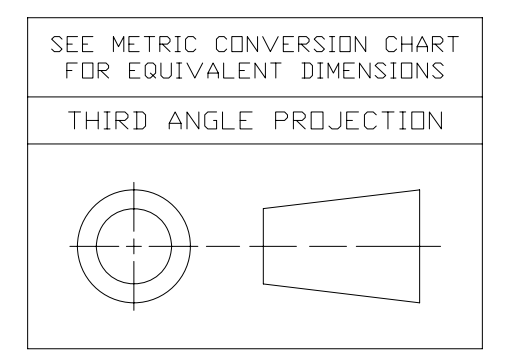


SENSATA PART NO.	CUSTOMER PART NO.	CUSTOMER PART NO. (WITHOUT TERMINAL HARDWARE)
2TC50-25	NSA931320-250	NSA931320-250A
2TC50-20	NSA931320-200	NSA931320-200A
2TC50-15	NSA931320-150	NSA931320-150A
2TC50-10	NSA931320-100	NSA931320-100A
2TC50-7 1/2	NSA931320-075	NSA931320-075A
2TC50-5	NSA931320-050	NSA931320-050A
2TC50-3	NSA931320-030	NSA931320-030A
2TC50-2 1/2	NSA931320-025	NSA931320-025A
2TC50-2	NSA931320-020	NSA931320-020A
2TC50-1	NSA931320-010	NSA931320-010A

- NOTES:
1. EPOXY SURFACES ARE NON-DIMENSIONED, ENVELOPE DIMENSIONS DO NOT APPLY TO THESE PROJECTED EPOXY SURFACES.
  2. TERMINAL AND MOUNTING HARDWARE MAY BE PACKAGED RATHER THAN INSTALLED
  3. COUNTRY OF ORIGIN IS SHOWN FOR ILLUSTRATION PURPOSES ONLY, COUNTRY OF ORIGIN TO BE IDENTIFIED AS REQUIRED.
  4. DATE CODE PER 10588-285.
  5. MARK IN APPROXIMATE POSITION SHOWN IN BLACK INK PER 12506-70.



METRIC



FOR REFERENCE ONLY, CHECK LATEST REVISION BEFORE USE. PARTS MADE TO THIS PRINT MUST CONFORM TO E9898 REV. E

DRAWN: TOM DAIL  
 DATE: 07-DEC-1989  
 ENGINEER:  
 DATE APPROVED:  
 DATE APPROVED:  
 DATE:

SENSATA TECHNOLOGIES PROPRIETARY AND CONFIDENTIAL. NEITHER THIS PRINT NOR THE INFORMATION CONTAINED HEREON IS TO BE USED AGAINST THE INTERESTS OF SENSATA TECHNOLOGIES OR AGAINST THE INTERESTS OF ANY OF ITS AFFILIATED COMPANIES OR WHOLLY OWNED SUBSIDIARIES.

UNLESS OTHERWISE SPECIFIED DIMENSIONS ARE IN MM  
 TOLERANCES: DECIMALS ANGLES

DO NOT SCALE DRAWING  
 THIRD ANGLE PROJECTION

529 PLEASANT STREET  
 P.O. BOX 2964  
 ATTLEBORO, MA 02703

**Sensata Technologies**

TITLE: PART NO. 2TC50  
 AMBIENT COMPENSATED, HIGH TEMP. CIRCUIT BREAKER  
 PUSH-PULL, TRIP FREE  
 ENVELOPE DRAWING

SIZE: C DWG NO.: **2TC50** REV.: AB

SCALE: 1:1 AUTOCAD SHEET 1 OF 1

DEVICE: PROJECT: 1