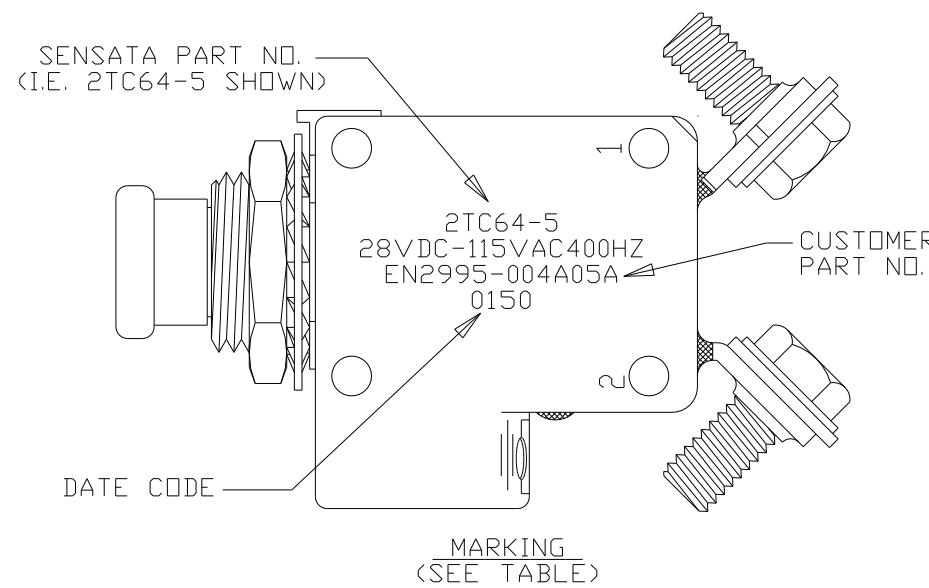
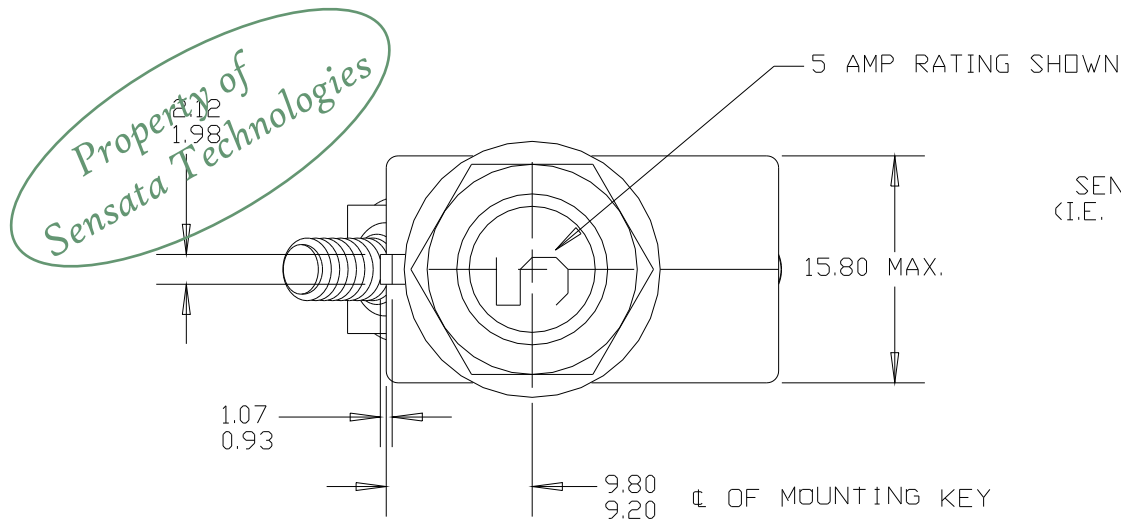


ZONE	REV.	REVISION DESCRIPTION	ECN NO.	DATE
B4	Y	DIMENSION 18.0±0.5 WAS 17.00-18.00 AND 45°±3 WAS 40°-50°; GML	ECN0039008	04-DEC-2007



PERFORMANCE CHARACTERISTICS - DETAIL PERFORMANCE PER AEROSPATIALE SPEC. NSA931324 AND 462.024/84-A

OVERLOAD CYCLING ----- 100 CYCLES AT 200% RATING
 VIBRATION ----- 5-2000 HZ, 10 G'S CURVE "R", AND RANDOM CURVE "D" OF EUROCAE ED-14B
 MECHANICAL SHOCK ----- 50 G'S
 CORROSION ----- SALT SPRAY 48 HOURS
 HUMIDITY ----- 48 HOURS

ENDURANCE:	115 VAC	400 HZ INDUCTIVE	2500 CYCLES
	28 VDC	INDUCTIVE RESISTIVE NO LOAD	2500 CYCLES
	MECHANICAL		10000 CYCLES

CALIBRATION:	1 AMP THRU 25 AMP	MIN. ULT. TRIP	MAX. ULT. TRIP	200%	500%	1000%
	+23°C, +73°F	115% RATING	140% RATING	2-20 SEC.	.15-2.5 SEC.	.035-.6 SEC.
	-55°C, -67°F	115% RATING	160% RATING	7-40 SEC.	.15-2.5 SEC.	.035-.6 SEC.
	+125°C, +257°F	100% RATING	140% RATING	1.5 SEC. MIN.	.15-2.5 SEC.	.035-.6 SEC.

INTERRUPT CURRENT:	1 THRU 25 AMP	120 VAC, 400 HZ	1800 AMPS A.C. (RMS)
	1 THRU 20 AMP	28 VDC	4000 AMPS D.C.
	25 AMP	28 VDC	1625 AMPS D.C.

OPERATING FORCES
 PULL OUT ----- 5N TO 30N (6.6 LB MAX.)
 RESET ----- 3.5N TO 45N (10.0 LB MAX.)

OPERATING ALTITUDE: 15,000 M

WEIGHT: 24.0 GRAMS MAX.

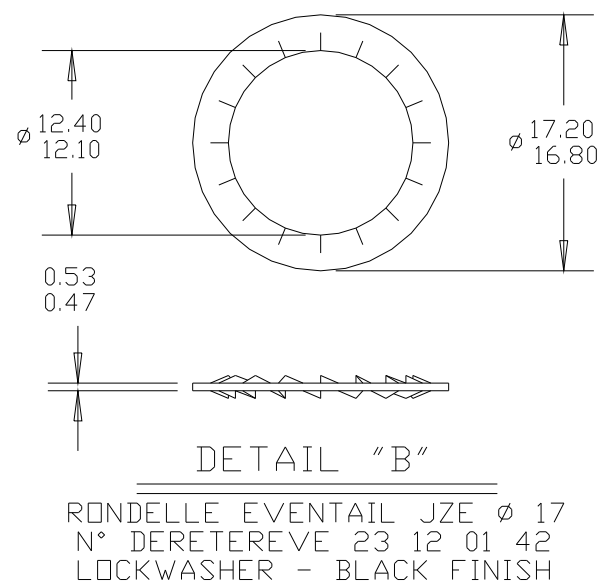
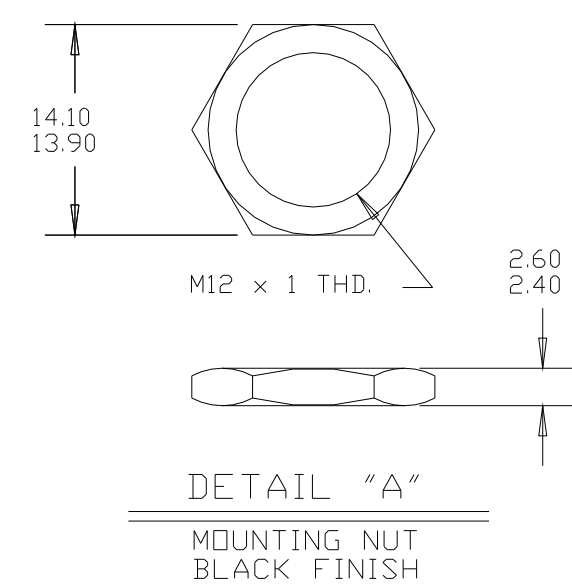
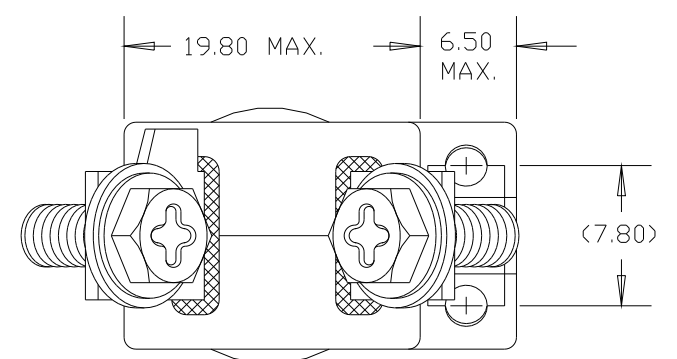
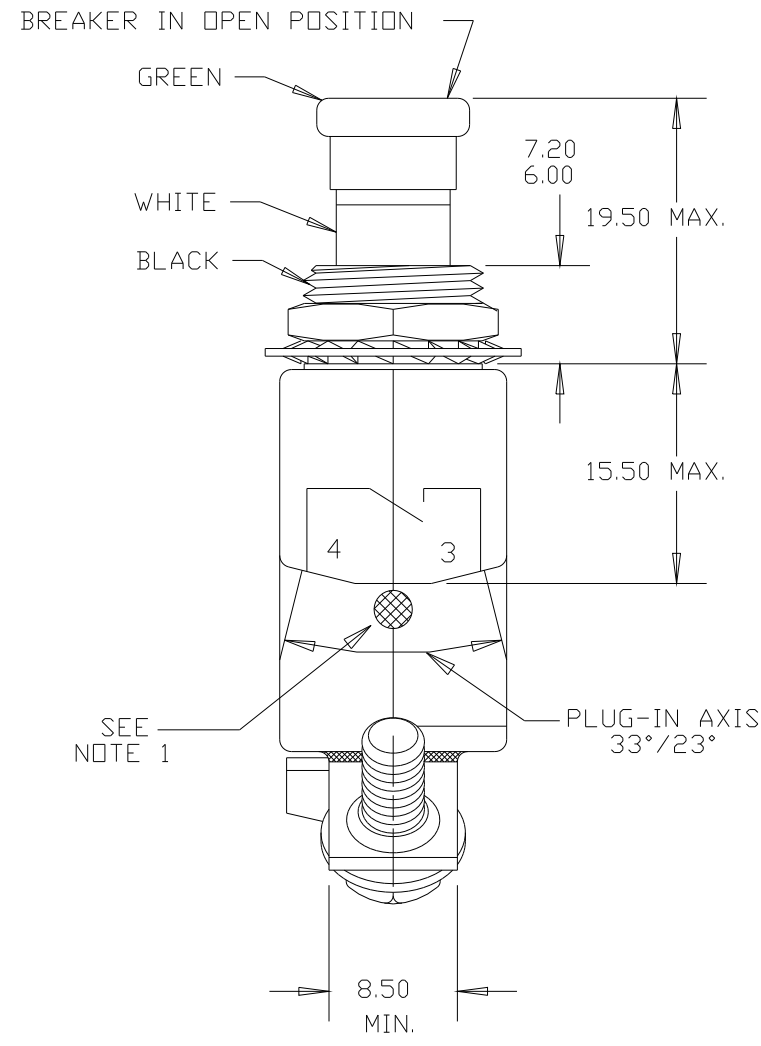
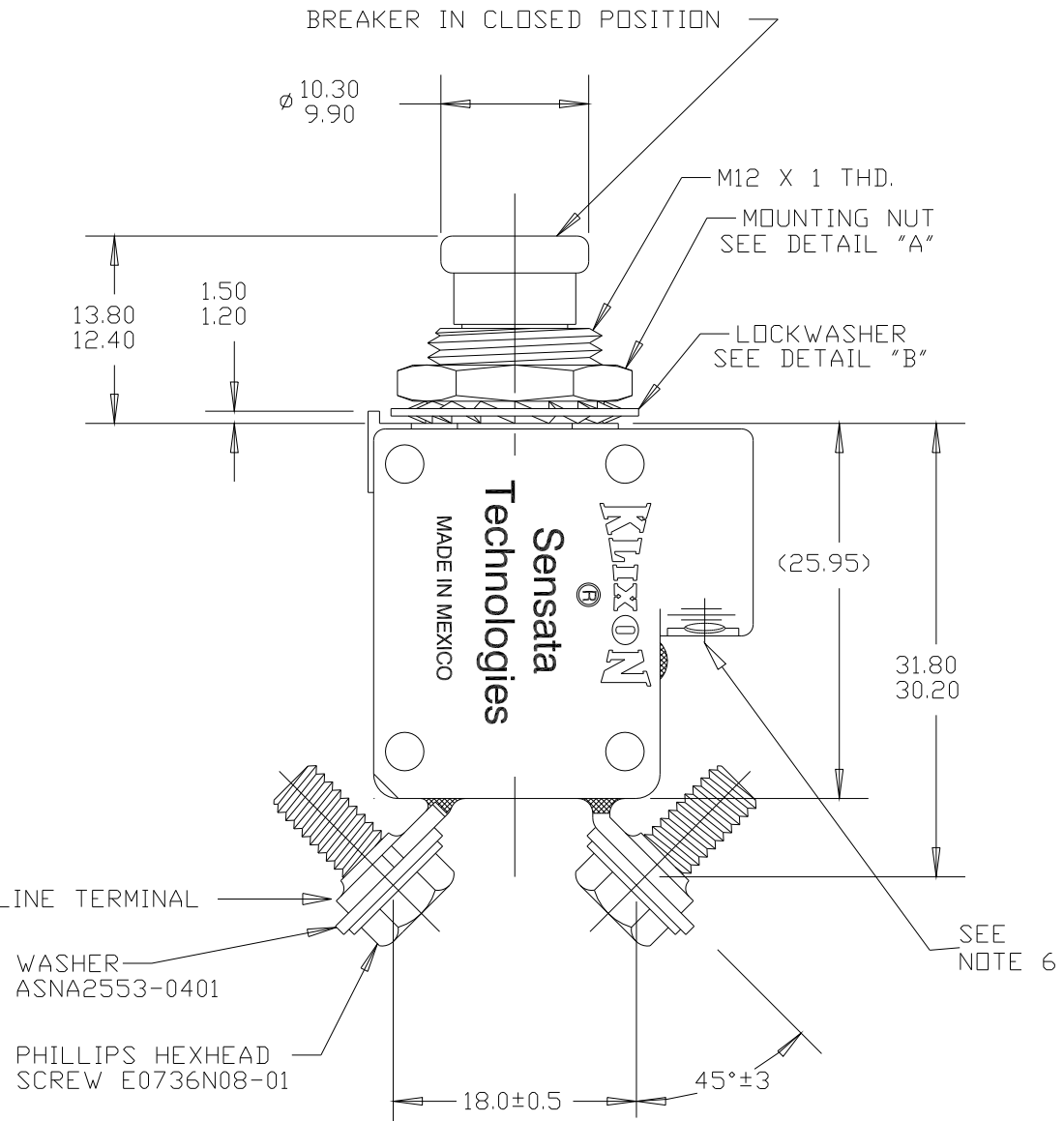
VOLTAGE DROP:

1 AMP	-----	1.10 VOLTS MAX.
2 AMP	-----	0.75 VOLTS MAX.
2.5 AMP	-----	0.70 VOLTS MAX.
3 AMP	-----	0.55 VOLTS MAX.
5 AMP	-----	0.35 VOLTS MAX.
7.5 AMP	-----	0.30 VOLTS MAX.
10 AMP	-----	0.30 VOLTS MAX.
15 AMP	-----	0.25 VOLTS MAX.
20 AMP	-----	0.25 VOLTS MAX.
25 AMP	-----	0.20 VOLTS MAX.

AUXILIARY SWITCH CHARACTERISTICS			
SIGNALIZATION CONTACT	TYPE OF LOAD	28 VDC	5 VDC
	RESISTIVE	0.5 A	5 mA
LAMP	0.2 A		

SENSATA PART NO.	CUSTOMER PART NO.	WITHOUT TERMINAL HARDWARE
2TC64-1	EN2995-004A01AA	EN2995-004A01AB
2TC64-2	EN2995-004A02AA	EN2995-004A02AB
2TC64-21/2	EN2995-004A2A5A	EN2995-004A2A5B
2TC64-3	EN2995-004A03AA	EN2995-004A03AB
2TC64-5	EN2995-004A05AA	EN2995-004A05AB
2TC64-71/2	EN2995-004A7A5A	EN2995-004A7A5B
2TC64-10	EN2995-004A10AA	EN2995-004A10AB
2TC64-15	EN2995-004A15AA	EN2995-004A15AB
2TC64-20	EN2995-004A20AA	EN2995-004A20AB
2TC64-25	EN2995-004A25AA	EN2995-004A25AB

- NOTES:
- EPOXY SURFACES ARE NON-DIMENSIONED, ENVELOPE DIMENSIONS DO NOT APPLY TO THESE PROJECTED EPOXY SURFACES.
 - TERMINAL AND MOUNTING HARDWARE MAY BE PACKAGED RATHER THAN INSTALLED.
 - COUNTRY OF ORIGIN IS SHOWN FOR ILLUSTRATION PURPOSES ONLY. COUNTRY OF ORIGIN TO BE IDENTIFIED AS REQUIRED.
 - DATE CODE PER 10588-285.
 - MARK IN APPROXIMATE POSITION SHOWN IN BLACK INK PER 12506-70.
 - RECOMMENDED PIN CONTACT: GAUGE 20 PER EN3155-016M2018 OR EQUIVALENT.



FOR REFERENCE ONLY, CHECK LATEST REVISION BEFORE USE. PARTS MADE TO THIS PRINT MUST CONFORM TO E9898 REV. E		529 PLEASANT STREET P.O. BOX 2964 ATTLEBORO, MA 02703	
DRAWN D. STAPLES DATE 20-OCT-1993	SENSATA TECHNOLOGIES PROPRIETARY AND CONFIDENTIAL. NEITHER THIS PRINT NOR THE INFORMATION CONTAINED HEREON IS TO BE USED AGAINST THE INTERESTS OF SENSATA TECHNOLOGIES OR AGAINST THE INTERESTS OF ANY OF ITS AFFILIATED COMPANIES OR WHOLLY OWNED SUBSIDIARIES.		
ENGINEER J. FOWLER DATE 20-OCT-1993	UNLESS OTHERWISE SPECIFIED DIMENSIONS ARE IN MM TOLERANCES DECIMALS ANGLES		
APPROVED A. ANDRES DATE 20-OCT-1993	DO NOT SCALE DRAWING		TITLE PART NO. 2TC64 AMBIENT COMPENSATED, HIGH TEMP. CIRCUIT BREAKER PUSH-PULL, TRIP FREE ENVELOPE DRAWING
APPROVED P. BERG DATE 20-OCT-1993	THIRD ANGLE PROJECTION	SCALE 4X AUTOCAD SHEET 1 OF 1	SIZE C DWG NO. 2TC64 REV. Y