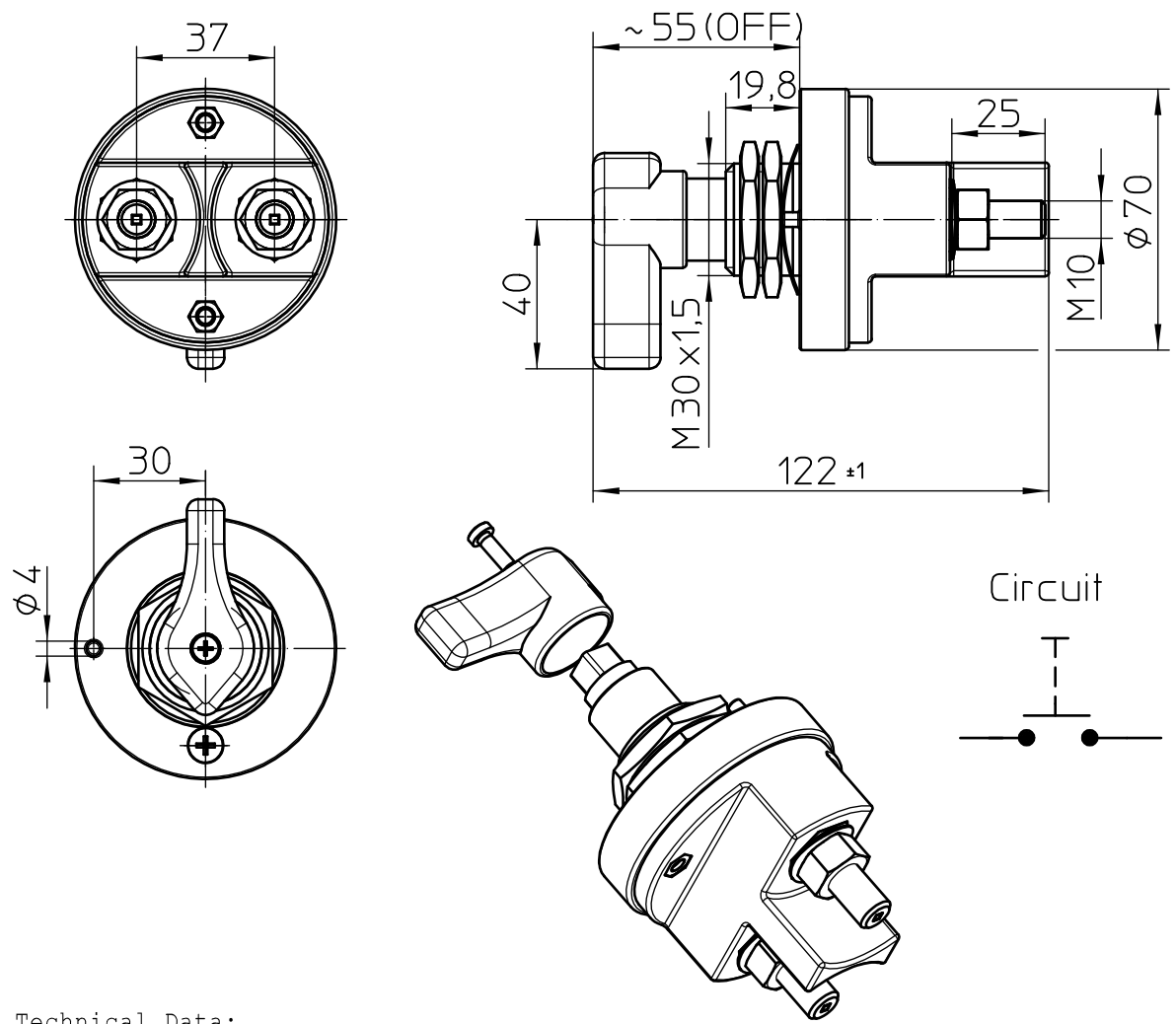


# Battery Disconnecter 400A

Mechanical Long-Life Version



Technical Data:

Case Material.....	PA GF black
Switch Lever Material.....	PA GF red
Min.Insulation Resistance.....	100MΩ
Dielectric Withstanding Voltage.....	1050V-1min
Max.Contact Drop during Resistive Load.....	150mV
Voltage.....	to 32VDC
Duty Rating.....	400A
Overload.....	1200A-4min
.....	1600A-1.5min
.....	2000A-10sec
Mechanical Life.....	min. 150 000 cycles
Sealing.....	IP 67 / IEC 529
Vibration.....	4G / 50-2000Hz
Shock G-Level.....	6G / 11ms
Weight.....	360g / 0.8 Pound
Temperature Range.....	-40°C to +85°C
Wire Section (At Nominal Load).....	min. 240 mm <sup>2</sup>
Switch Lever.....	not removeable
Torque (Main Terminals).....	15-20 Nm

	Date	Name	mm ←	Scale 1:2	 Elektrotechnik - GmbH & Co KG D - 72218 Wildberg	Drawing No:
Drawn	25.06.2009	Grind				
Check	23.07.2009	Drech	General Tolerances DIN ISO 2768 mK			NSN.: