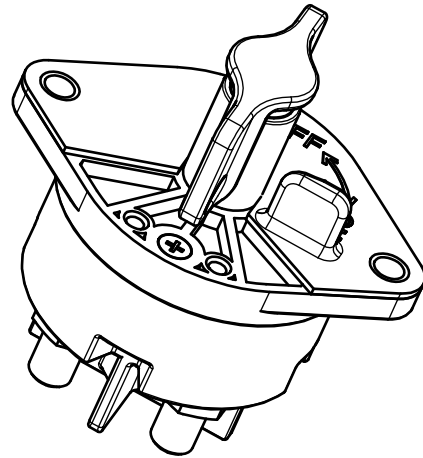


Technical Data

Case Material: Cover.....	Vyncolit black
Base Plate.....	PA GF black
Switch Lever Material.....	PA GF red
Min. Insulation Resistance.....	100 MOhm
Dielectric Withstanding Voltage.....	1050V-1min.
Max. Contact Drop during Resistive Load..	150mV
Voltage.....	to 32 VDC
Duty Rating.....	2x500A
Overload.....	2x2000A-1.5min. 2x2500A-10sec.
Sealing.....	IP 67 / IEC 529
Vibration.....	10G, 18-500Hz
Shock G-Level.....	50G, 11ms
Duty Shock-6000Zyklen.....	40G, 6ms
Weight.....	ca. 650g
Temperature Range.....	-40°C to +85°C
Wire Section (At Nominal Load).....	min. 250mm ²
Mounting position.....	optional
Switch Lever.....	not removeable lockable in "OFF" position not lockable in "ON" position
Max. Torque (Main Contacts).....	18-22 Nm



Date	Name	mm ←	Scale 1:2
15.10.2009	Grind		
General Tolerances			
Check	03.11.2009	DIN ISO 2768 cL	



Drawing No:
35-524-231-R-901

NSN.: