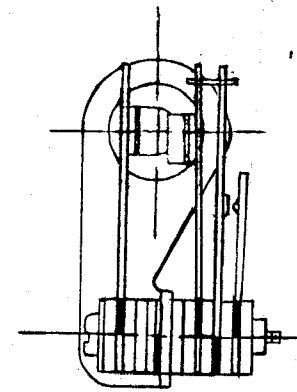
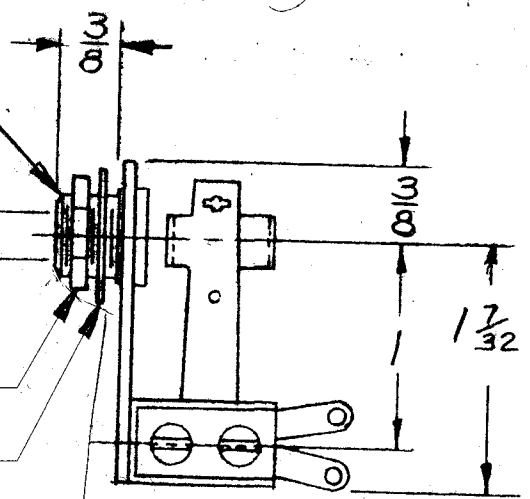


3/8-32 UNEF-2A THREAD

0.210 I.D.

HEX NUT

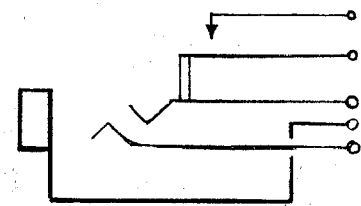
WASHER



NOTES:

- MATERIALS:
 FRAME - STEEL, NICKEL PLATED
 BUSHING - BRASS, NICKEL PLATED
 SPRINGS - NICKEL SILVER
 CONTACTS - WELDED SILVER
 LIFTER - NYLON
 SPACERS - PHENOLIC
 GROUND TERMINAL - STEEL, TIN PLATED
 PRESURE PLATE - STEEL, NICKEL PLATED
 TWIN NUT - STEEL, NICKEL PLATED
 SCREWS - STEEL, NICKEL PLATED
 HEX NUT - BRASS, NICKEL PLATED
 WASHER - BRASS, NICKEL PLATED

2. THIS PRODUCT IS RoHS COMPLIANT.



SCHEMATIC

CUSTOMER DRAWING

★ STAR SYMBOL DENOTES CRITICAL DIMENSION

THIS DRAWING DESCRIBES A DESIGN CONSIDERED PROPRIETARY IN NATURE, DEVELOPED AND MANUFACTURED BY SWITCHCRAFT INC. AND IS RELEASED ON A CONFIDENTIAL BASIS FOR IDENTIFICATION PURPOSES ONLY.

UNLESS OTHERWISE SPECIFIED

SIZE	WIDTH	MULT	LBS/M	TEMPER
------	-------	------	-------	--------

- ALL DIMENSIONS IN INCHES
 - TWO PLACE DECIMALS ±0.01
 - THREE PLACE DECIMALS ±0.005
 - ANGLES ±1°
 - ALL DIA. CONCENTRIC WITHIN 0.005 T.I.R.

FINISH	MATERIAL
SPEC No.	SPEC No.

- FEATURES ON THE SAME CENTERLINE MUST BE ALIGNED WITHIN ±0.002

FIRST USED ON	SCALE
	NONE

- REMOVE ALL BURRS

DATE DRAWN	BY	CHKD	APVD
03-Feb-10	TJK	TJK 2-3-10	TJK 2-3-10

Switchcraft®

0A	FIRST DRAWN	9-19-07	TJK	TJK
REV	ECO NUMBER	DATE	BY	APVD
REVISIONS				

SHEET	1	OF	1
PART No.	3J1484X	REV	0A

DO NOT SCALE DRAWING

SF JAX, RoHS