

| REVISIONS |     |             |                     |             |            |          |
|-----------|-----|-------------|---------------------|-------------|------------|----------|
| ZONE      | LTR | DEVICE: 3TC | DESCRIPTION         | PROJ.: 1294 | DATE       | APPROVED |
|           | T   |             | UPDATED PER MARKUP. | ECN0025542  | PAF 1-3-06 | DM       |

PERFORMANCE CHARACTERISTICS

DETAIL PERFORMANCE PER MIL-C-5809

|                  |       |                                     |
|------------------|-------|-------------------------------------|
| OVERLOAD CYCLING | ----- | 100 CYCLES AT 200% RATING           |
| VIBRATION        | ----- | 10 G'S MINIMUM 50-500 HZ            |
| MECHANICAL SHOCK | ----- | 50 G'S                              |
| ACCELERATION     | ----- | 10 G'S                              |
| SAND AND DUST    | ----- | 12 HOURS                            |
| CORROSION        | ----- | SALT SPRAY 48 HOURS                 |
| HUMIDITY         | ----- | 10 DAYS                             |
| EXPLOSION PROOF  | ----- | WHILE INTERRUPTING RUPTURE CURRENTS |

|            |            |                  |              |
|------------|------------|------------------|--------------|
| ENDURANCE: | 120 VAC    | 400 HZ INDUCTIVE | 2500 CYCLES  |
|            | 28 VDC     | 400 HZ RESISTIVE | 5000 CYCLES  |
|            | MECHANICAL | RESISTIVE        | 5000 CYCLES  |
|            |            | NO LOAD          | 10000 CYCLES |

|              |                    |                |             |           |              |
|--------------|--------------------|----------------|-------------|-----------|--------------|
| CALIBRATION: | 15 AMP THRU 35 AMP |                |             |           |              |
|              | MIN. ULT. TRIP     | MAX. ULT. TRIP | 200%        | 500%      | 1000%        |
| +25° C.      | +77° F             | 115% RATING    | 138% RATING | 4-20 SEC. | .40-1.7 SEC. |
| -55° C.      | -65° F             | 115% RATING    | 165% RATING | 6-35 SEC. | .55-3.0 SEC. |
| +121° C.     | +250° F            | 85% RATING     | 138% RATING | 2-15 SEC. | .25-1.0 SEC. |

|          |                |                 |           |
|----------|----------------|-----------------|-----------|
| RUPTURE: | 15 THRU 35 AMP | 120 VAC, 400 HZ | 2000 AMPS |
|          | 15 THRU 35 AMP | 28 VDC          | 6000 AMPS |

MAXIMUM OPERATING FORCES

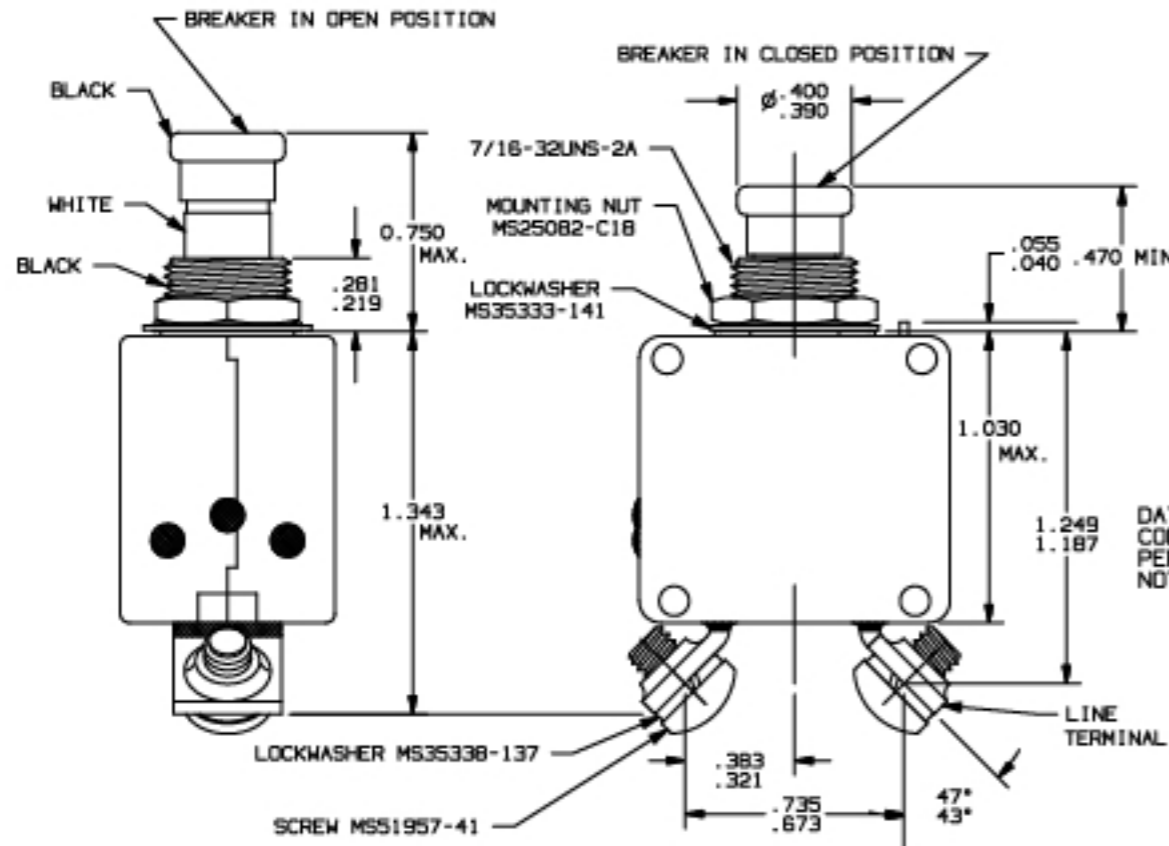
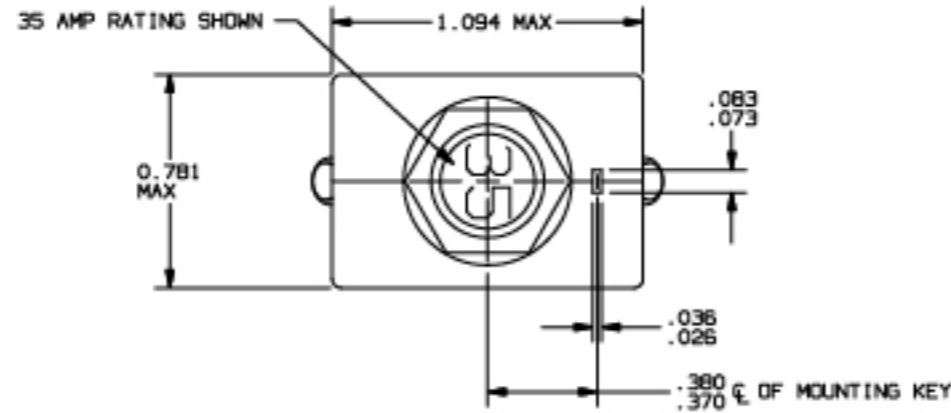
|          |       |                      |
|----------|-------|----------------------|
| PULL OUT | ----- | 5 LBS. MAX. (22.2 N) |
| RESET    | ----- | 5 LBS. MAX. (22.2 N) |

OPERATING ALTITUDE: 70,000 FT. (21,000 M)

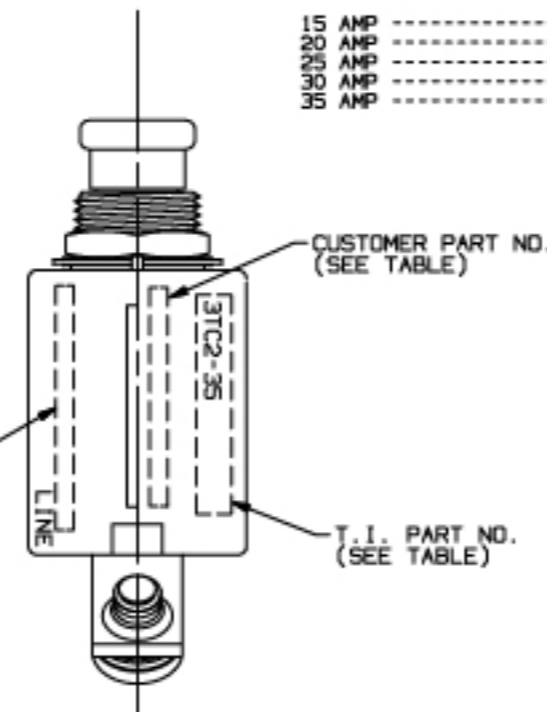
WEIGHT: 37.0 GRAMS MAX. (.082 LBS.)

VOLTAGE DROP:

|        |       |                 |
|--------|-------|-----------------|
| 15 AMP | ----- | 0.25 VOLTS MAX. |
| 20 AMP | ----- | 0.25 VOLTS MAX. |
| 25 AMP | ----- | 0.25 VOLTS MAX. |
| 30 AMP | ----- | 0.25 VOLTS MAX. |
| 35 AMP | ----- | 0.25 VOLTS MAX. |



DATE CODE PER NOTE 4



| T.I. PART NO. | CUSTOMER PART NO. |
|---------------|-------------------|
| 3TC2-35       | MS14105-35        |
| 3TC2-30       | MS14105-30        |
| 3TC2-25       | MS14105-25        |
| 3TC2-20       | -----             |
| 3TC2-15       | -----             |

NOTES:

- EPOXY SURFACES ARE NON-DIMENSIONED. ENVELOPE DRAWING DIMENSIONS DO NOT APPLY TO THESE PROJECTED EPOXY SURFACES.
- TERMINAL AND MOUNTING HARDWARE MAY BE PACKAGED RATHER THAN INSTALLED.
- COUNTRY OF ORIGIN TO BE IDENTIFIED AS REQUIRED.
- DATE CODE PER 10588-265.
- ALL MARKINGS TO BE MADE IN APPROXIMATE POSITIONS SHOWN, WITH BLACK INK PER 12506-70: 3/32 INCH HIGH CHARACTERS.

THIS IS A CAD DRAWING. THE GEOMETRY IN THE ASSOCIATED CAD COMPUTER FILE IS DIMENSIONALLY ACCURATE. WHEN DRAWING IS BEING REVISED, THE GEOMETRY MUST BE UPDATED IN ALL VIEWS AND ON ALL SHEETS.

|   |  |  |
|---|--|--|
| UNLESS OTHERWISE SPECIFIED DIMENSIONS ARE IN INCHES | DATE<br>3-6-90   | TEXAS INSTRUMENTS<br>ATLORBO, MASSACHUSETTS 02703<br>KLUXON<br>CONTROL PRODUCTS DIVISION             |
| TOLERANCE ON FRACTIONS DECIMALS ANGLES              | ENGINEER<br>J. CHAMMAS<br>3-6-90                       |  |
|   | APPROVED<br>J. CHAMMAS<br>4-19-90                      | TITLE<br>AMBIENT COMPENSATED, HIGH TEMP. CIRCUIT BREAKER<br>PUSH-PULL, TRIP FREE<br>ENVELOPE DRAWING |
| MATERIAL  |  | SIZE CODE IDENT NO.<br>C 82647   |
|   | SIGNATURES ON FILE. REFER TO ELECTRONIC CHANGE NOTICE. | 3TC2   |
|   |  | SHEET 1 OF 1   |