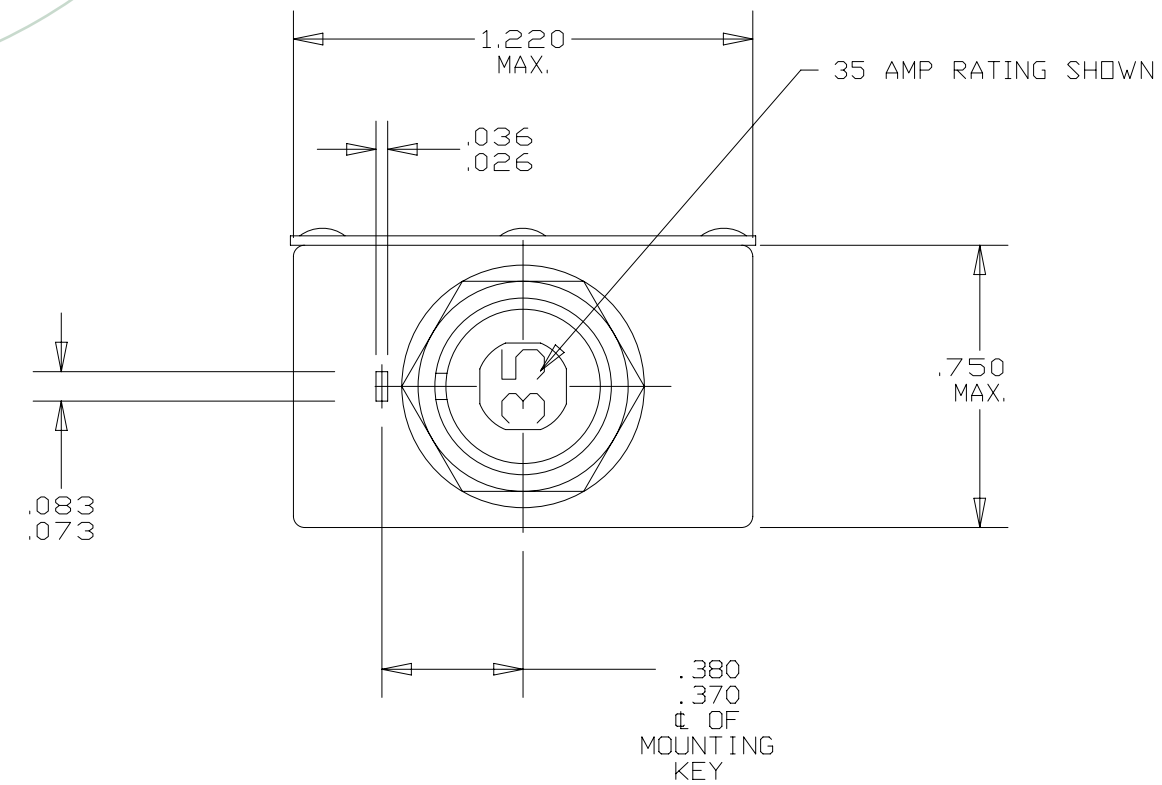


Property of
Sensata Technologies

ZONE	REV.	REVISION DESCRIPTION	ECN NO.	DATE
B2	H	ADDED "LINE" CALLOUT TO RIGHT SIDE VIEW; PAF	ECN0041409	14-APR-2008



DETAIL PERFORMANCE

OVERLOAD CYCLING ----- 100 CYCLES AT 200% RATING
 VIBRATION ----- 10 G'S
 MECHANICAL SHOCK ----- 50 G'S PEAK
 SAND & DUST ----- 12 HOURS
 CORROSION ----- SALT SPRAY 48 HOURS
 MOISTURE RESISTANCE ----- 10 DAYS
 EXPLOSION PROOF ----- WHILE INTERRUPTING RUPTURE CURRENTS

ENDURANCE:

120 VAC	400 HZ INDUCTIVE	2,500 CYCLES
30 VDC	400 HZ RESISTIVE	5,000 CYCLES
MECHANICAL	INDUCTIVE	2,500 CYCLES
	RESISTIVE	5,000 CYCLES
	NO LOAD	10,000 CYCLES

CALIBRATION:

15 AMP THRU 35 AMP

	MIN. ULT. TRIP	MAX. ULT. TRIP	200%	400%	600%
+25°C. (+77°F.)	115% RATING	138% RATING	12.5 - 55 SEC.	2 - 7 SEC.	1 - 3.5 SEC.
-40°C. (-40°F.)	148% RATING	178% RATING			
+71°C. (+160°F.)	70% RATING	114% RATING			

RUPTURE:

15 AMP THRU 35 AMP	120 VAC 400 HZ	2800 AMPERES
15 AMP THRU 35 AMP	30 VDC	4800 AMPERES

MAXIMUM OPERATING FORCES:

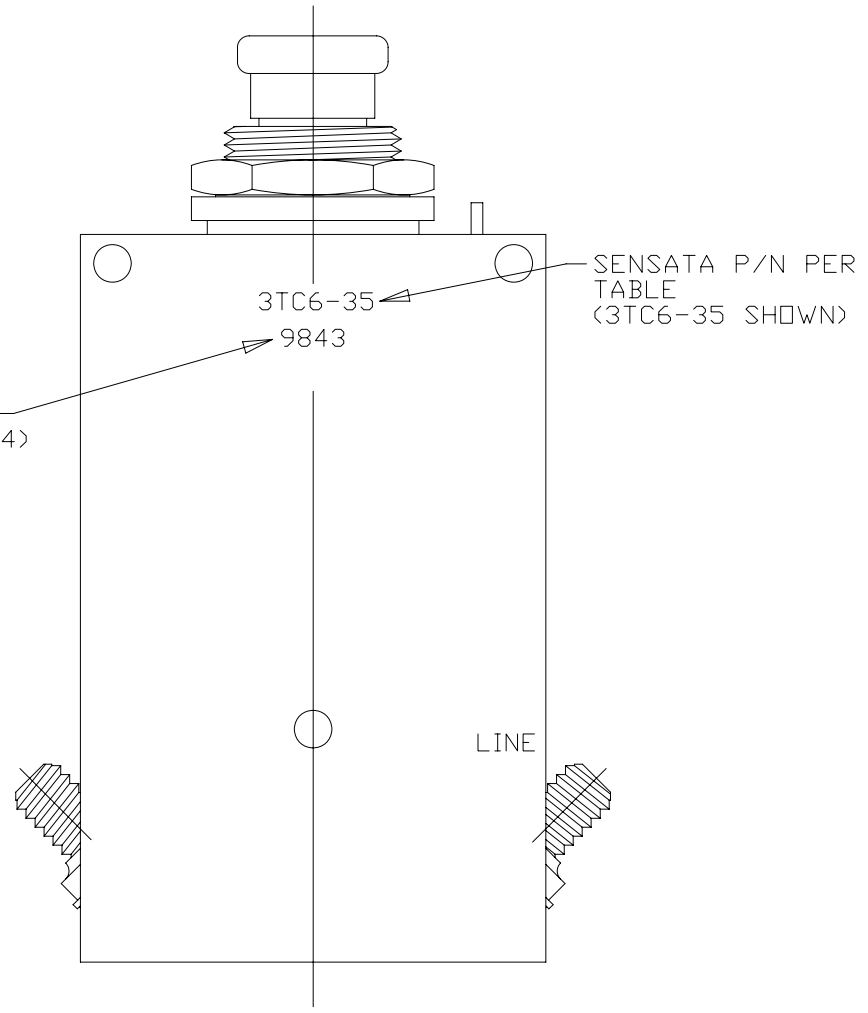
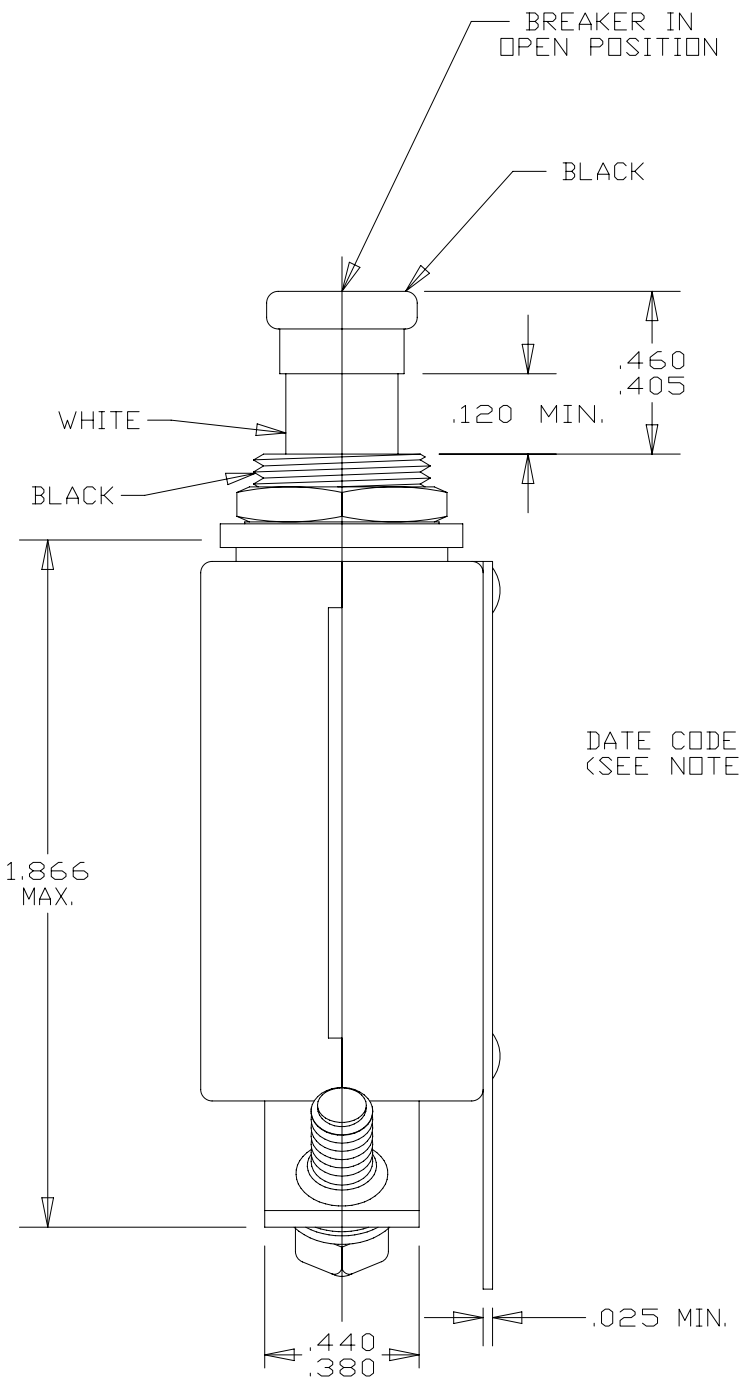
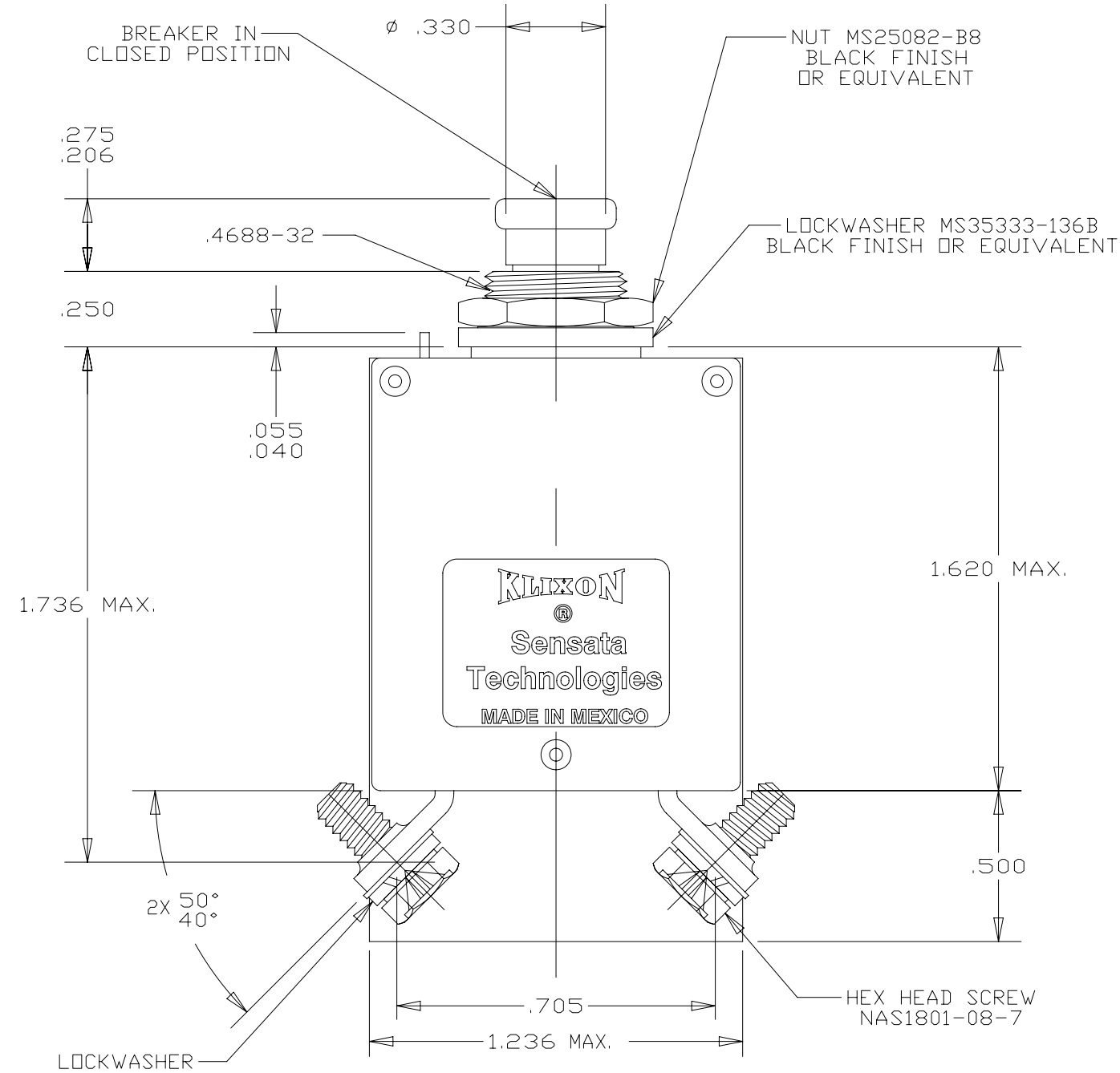
PULL OUT ----- 1.35-12 LBS.
 RESET ----- 2-16 LBS.

OPERATING ALTITUDE: 70,000 FT. (<21,000m)

WEIGHT/MASS: .15 LBS. MAX. (<68 GRAMS)

VOLTAGE DROP:
 15 THRU 35 AMP ----- 0.25 VOLTS MAX.

VIBRATION RANDOM:
 9dB/OCT RISE, 5-15Hz; PSD OF 0.2(G²/Hz) FROM 15 TO 100 Hz; 9dB/OCT FALL 100 TO 2000 Hz.



SENSATA P/N	AMP RATING
3TC6-15	15
3TC6-20	20
3TC6-25	25
3TC6-30	30
3TC6-35	35

- NOTES:**
- EPOXY SURFACES ARE NON-DIMENSIONED. ENVELOPE DRAWING DIMENSIONS DO NOT APPLY TO THESE PROJECTED EPOXY SURFACES.
 - TERMINAL AND MOUNTING HARDWARE MAY BE PACKAGED RATHER THAN INSTALLED.
 - COUNTRY OF ORIGIN IS SHOWN FOR ILLUSTRATION PURPOSES ONLY. COUNTRY OF ORIGIN TO BE IDENTIFIED AS REQUIRED.
 - DATE CODE PER 10588-285.
 - ALL MARKINGS TO BE MADE IN APPROXIMATE POSITIONS SHOWN, WITH BLACK INK PER 12506-70; 3/32 INCH HIGH CHARACTERS.

FOR REFERENCE ONLY, CHECK LATEST REVISION BEFORE USE. PARTS MADE TO THIS PRINT MUST CONFORM TO E9898 REV. E		529 PLEASANT STREET P.O. BOX 2964 ATTLEBORO, MA 02703	
DRAWN J. MAYALL DATE 31-MAR-1978	SENSATA TECHNOLOGIES PROPRIETARY AND CONFIDENTIAL. NEITHER THIS PRINT NOR THE INFORMATION CONTAINED HEREON IS TO BE USED AGAINST THE INTERESTS OF SENSATA TECHNOLOGIES OR AGAINST THE INTERESTS OF ANY OF ITS AFFILIATED COMPANIES OR WHOLLY OWNED SUBSIDIARIES.	TITLE 3TC6 PUSH-PULL TRIP-FREE CIRCUIT BREAKER ENVELOPE DRAWING	
ENGINEER D. EISNOR DATE 31-MAR-1978 APPROVED	UNLESS OTHERWISE SPECIFIED DIMENSIONS ARE IN INCHES TOLERANCES DECIMALS ANGLES	SIZE C	DWG NO. 3TC6
DATE APPROVED D. EISNOR DATE 31-MAR-1978	X.XXX ±.015	SCALE 1:1	REV. H
DO NOT SCALE DRAWING	THIRD ANGLE PROJECTION	AUTOCAD	SHEET 1 OF 1

DEVICE: 3TC PROJECT: 1294 1