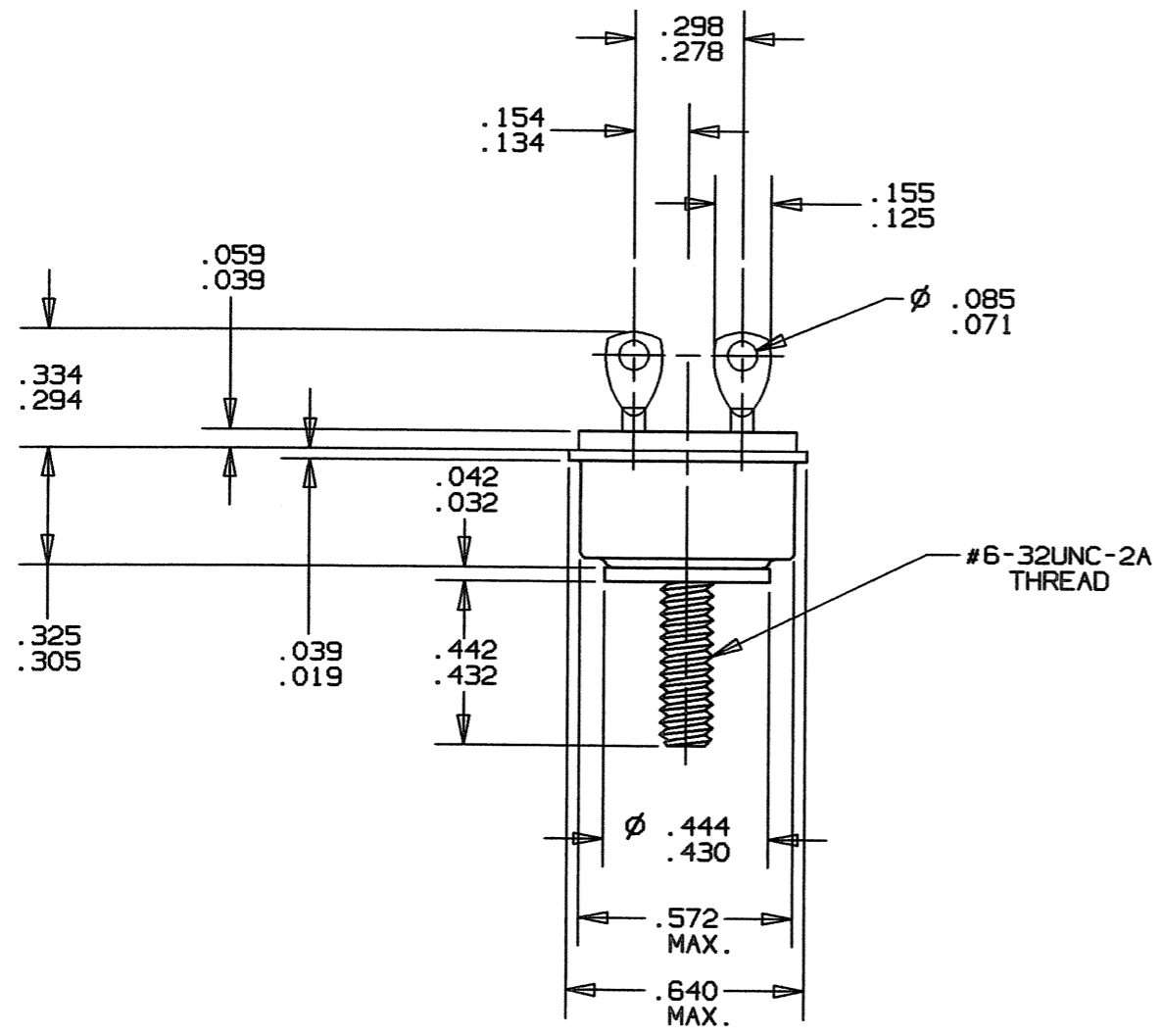
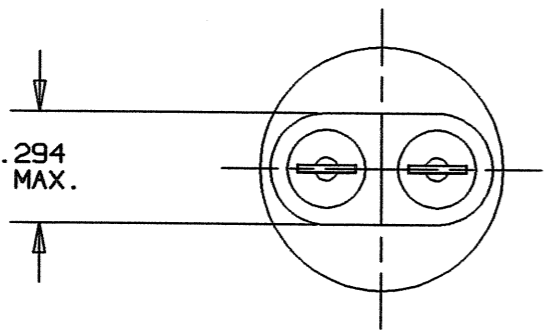


Property of  
Sensata Technologies

REVISIONS					
ZONE	LTR	DESCRIPTION	PROJ.# 256A	DATE	APPROVED
B5	C	1: .334/.294 WAS .292 ±.015		5-7-96	S.B.M.
C4		1: Ø.085/.071 WAS Ø.078 ±.007			
		2: .155/.125 WAS .127 ±.010			
CRM28689, CFF					



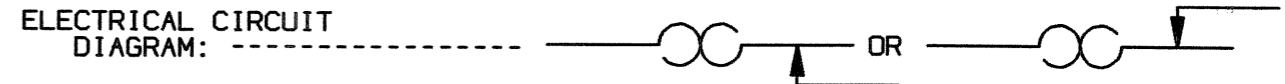
PART NO.: ----- 4344-207-\*

OPERATING TEMPERATURE:  
 OPEN: ----- °F. ± °F.  
 CLOSE: ----- °F. ± °F.

FINISH: -----

WEIGHT: ----- GRAMS

AMBIENT TEMPERATURE  
 EXPOSURE RANGE: ----- -65°F. TO +450°F.



ELECTRICAL RATING (RESISTIVE)

30 VAC/DC	125 VAC	250 VAC	LIFE
			CYCLES
AMPERES			
5.0	2.0	1.0	100,000
5.5	3.0	1.5	50,000
6.0	4.0	2.0	25,000
6.5	5.0	2.5	10,000
7.0	6.0	3.0	5,000

DIELECTRIC STRENGTH  
 TERMINAL TO CASE: ----- 1250 VOLTS, RMS, 60 CYCLES FOR 1 MINUTE

NOTE: FOR ORDERING PRODUCTION QUANTITIES TWO DASH NUMBERS ARE NECESSARY. THE SECOND DASH NO. WILL BE ASSIGNED WHEN OPERATING CHARACTERISTICS AND DESIGN DETAILS ARE ESTABLISHED.

SUPERSEDES DWG. 4344-207 REV."B", DATED 2-6-89

THIS IS A CAD DRAWING. THE GEOMETRY IN THE ASSOCIATED CAD COMPUTER FILE IS DIMENSIONALLY ACCURATE. WHEN DRAWING IS BEING REVISED, THE GEOMETRY MUST BE UPDATED IN ALL VIEWS AND ON ALL SHEETS.

			Q4			P17			P1			
UNLESS OTHERWISE SPECIFIED DIMENSIONS ARE IN INCHES	DRAWN	DATE	TEXAS INSTRUMENTS ATTLEBORO, MASSACHUSETTS 02703 KLIXON CONTROL PRODUCTS DIVISION									
	CHAS. FLEURANT	5-7-96										
TOLERANCES ON FRACTIONS DECIMALS ANGLES	ENGINEER	DATE	TITLE 4344-207 THERMOSTAT SPST AUTO-RESET SEALED ENVELOPE DRAWING									
	S.B. MARQUIS	5-7-96										
MATERIAL	APPROVED		SIZE B									
	APPROVED											
	SIGNATURES ON FILE. REFER TO ELECTRONIC CHANGE NOTICE.											
			CODE IDENT NO.	4344-207								
			82647									