

HOUSING: PLASTIC, BLACK
 HEXNUT: 15/32-32

DATE CODE

Ø0.472 [12.00]

Ø0.70 [Ø17.90]

0.60 [15.32]

ON

OFF

O-RING SEAL:
 RED/ORANGE

KEYWAY: 0.072
 [1.82] X 0.038 [.96]

1.24 [31.56]

55025
 25A 12VDC

0.33 [8.34]

0.23 [5.84]

WIRE: GXL, BLACK
 14GA, [2mmf], 2PLS.

0.25 [6.35]

12 IN. [304.8]

0.87 [22.00]

1.46 [37.10]

EPOXY SEAL, BLACK

Revision Control Record

Rev.	Description of Change	ECN No.	Date
A	NEW DRAWING RELEASE	11429	12/7/11

NOTES:

- 1) SEALED TOGGLE SWITCH, SPST, SILVER CONTACTS.
- 2) SEALING SPEC: IP67.
- 3) ENVIRONMENTAL: -40 TO 85°C
- 4) BUSHING, TOGGLE & HWARE: BRASS, NICKEL PLATED.
- 5) ELECTRICAL RATING: 25A@12VDC; 15A@24VDC.
- 6) ALL HARDWARE ASSEMBLED.

Tolerances: Unless otherwise specifically noted, the following are default tolerances:

2-places +/- 0.02" 3-places +/- 0.005" Angular +/- 1°

Metric: Shown in [] refers to equivalent English Dim Tol

"REF." or an Asterisk (*) = Non-Toleranced Reference Dimension, shown for clarification purposes only.

NOTE: All tolerances are Non-Cumulative.

PROPRIETARY INFORMATION

This Engineering Drawing, and the information contained herein, is proprietary to Cole Hersee Company and may not be disclosed, re-produced, or in any other way transferred or communicated to any other party without the express written consent of an authorized representative of Cole Hersee Company.

Special Characteristics:

- Critical Characteristic, relating to Safety and/or Regulatory Compliance
- Significant Characteristic relating to Process Control
- Control Dimension relating to Form-Fit - Function as defined by Cole Hersee Company and/or the Customer



Cole Hersee Co.

20 Old Colony Ave., South Boston, MA, 02127
 Phn: 617-268-2100 Web: www.colehersee.com

Description:

**SW. TOGGLE,
 ON-OFF**

Drawing /
 Part No.:

55025

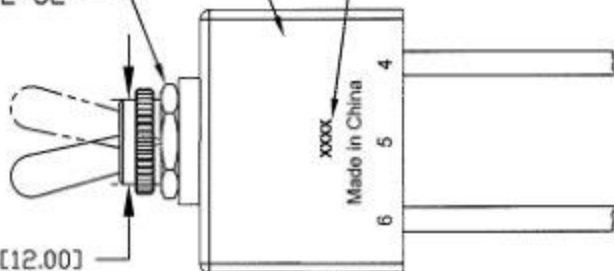
Current Rev.

A

HOUSING: PLASTIC, BLACK
 HEXNUT: 15/32-32

DATE CODE

Ø0.472 [12.00]

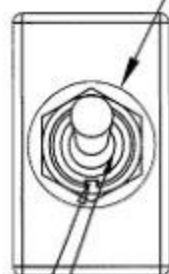


Revision Control Record

Rev.	Description of Change	ECN No.	Date
A	NEW DRAWING RELEASE	11430	12/7/11

Ø0.70 [Ø17.90]

0.60 [15.32]



O-RING SEAL:
RED/ORANGE

KEYWAY: 0.072
[1.82] X 0.038 [.96]

M.ON

OFF

1.24 [31.56]

55025-01
25A 12VDC

WIRE: GXL, BLACK
14GA, [2mrf], 2PLS.

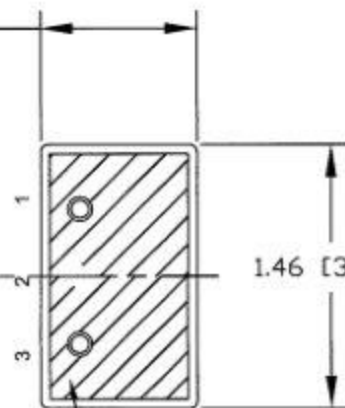
0.25 [6.35]

12 IN. [304.8]

0.33 [8.34]

0.23 [5.84]

0.87 [22.00]



1.46 [37.10]

EPOXY SEAL, BLACK

NOTES:

- 1) SEALED TOGGLE SWITCH, SPST, SILVER CONTACTS.
- 2) SEALING SPEC: IP67.
- 3) ENVIRONMENTAL: -40 TO 85°C
- 4) BUSHING, TOGGLE & HWARE: BRASS, NICKEL PLATED.
- 5) ELECTRICAL RATING: 25A @ 12vDC; 15A @ 24vDC.
- 6) ALL HARDWARE ASSEMBLED.
- 7) TOGGLE ACTUATION FORCE: 32-38 OUNCES [8.9-10.5N].

Tolerances: Unless otherwise specifically noted, the following are default tolerances:

2-places +/- 0.02" 3-places +/- 0.005" Angular +/- 1°

Metric: Shown in [] refers to equivalent English Dim Tol

"REF." or an Asterisk (*) = Non-Toleranced Reference Dimension, shown for clarification purposes only.

NOTE: All tolerances are Non-Cumulative.

PROPRIETARY INFORMATION

This Engineering Drawing, and the information contained herein, is proprietary to Cole Hersee Company and may not be disclosed, re-produced, or in any other way transferred or communicated to any other party without the express written consent of an authorized representative of Cole Hersee Company.

Special Characteristics:

- Critical Characteristic, relating to Safety and/or Regulatory Compliance
- Significant Characteristic relating to Process Control
- Control Dimension relating to Form - Fit - Function as defined by Cole Hersee Company and/or the Customer



Cole Hersee Co.

20 Old Colony Ave., South Boston, MA, 02127
 Phn: 617-268-2100 Web: www.colehersee.com

Description:

55025-01

Drawing / Part No.:

**SW. TOGGLE
OFF-M.ON**

Current Rev.

A

FORM CHT-6 (2/07)

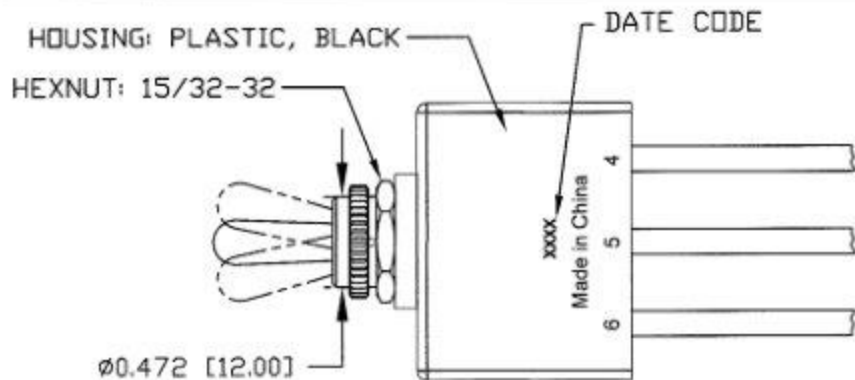
Used On or Ref.: **EX-28872**

Scale: 1:1

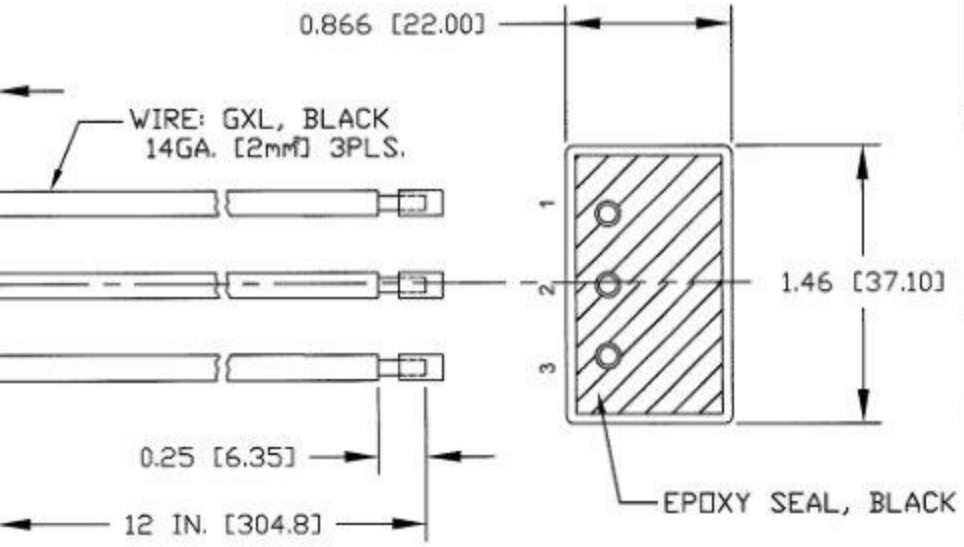
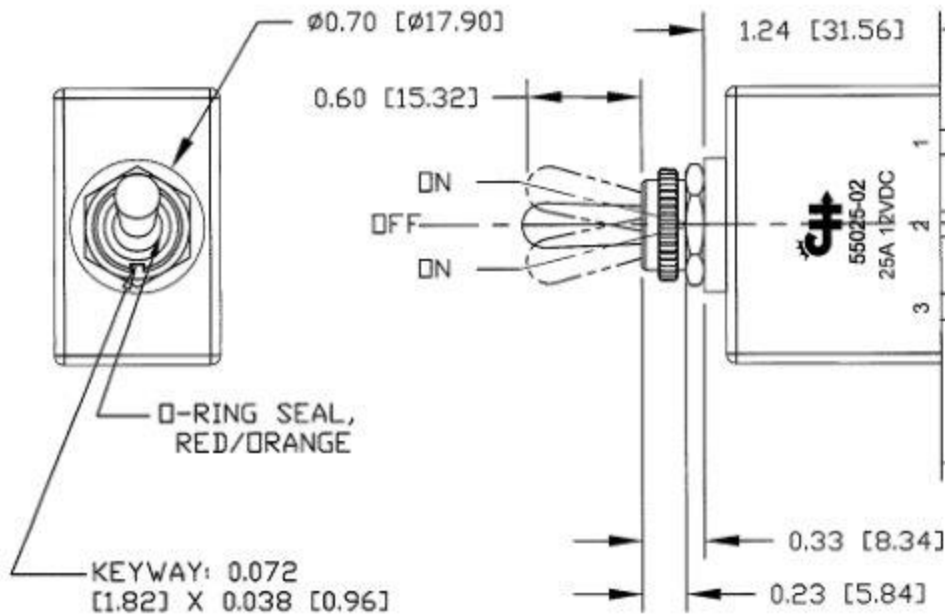
Drawn BY: G.Auguste

Date Drawn: 11/19/11

Pg. 1 of 1



Revision Control Record			
Rev.	Description of Change	ECN No.	Date
A	NEW DRAWING RELEASE	11431	12/07/11



- NOTES:
- 1) SEALED TOGGLE SWITCH, SPDT, SILVER CONTACTS.
 - 2) SEALING SPEC: IP67.
 - 3) ENVIRONMENTAL: -40 TO 85°C
 - 4) BUSHING, TOGGLE & HWARE: BRASS, NICKEL PLATED.
 - 5) ELECTRICAL RATING: 25A @ 12vDC; 15A @ 24vDC.
 - 6) ALL HARDWARE ASSEMBLED.

Tolerances Unless otherwise specifically noted, the following are default tolerances:

2-places +/- 0.02" **3-places +/- 0.005"** **Angular +/- 1'**

Metric: Shown in [] refers to equivalent English Dim Tol

"REF." or an Asterisk (*) = Non-Toleranced Reference Dimension, shown for clarification purposes only.

NOTE: All tolerances are Non-Cumulative.

PROPRIETARY INFORMATION
 This Engineering Drawing, and the information contained herein, is proprietary to Cole Hersee Company and may not be disclosed, re-produced, or in any other way transferred or communicated to any other party without the express written consent of an authorized representative of Cole Hersee Company.

Special Characteristics:

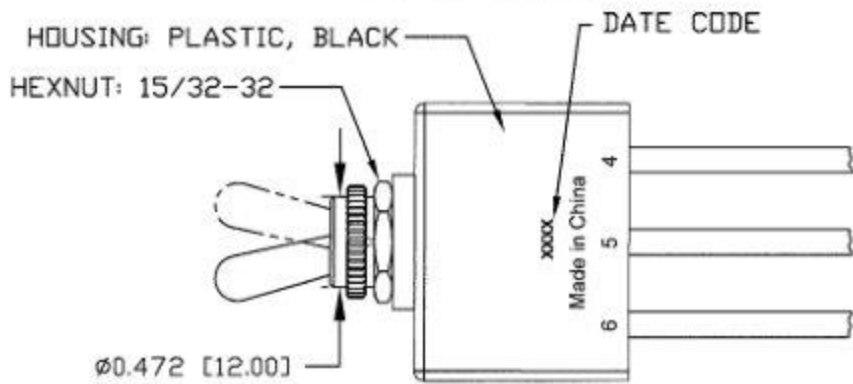
CC Critical Characteristic, relating to Safety and/or Regulatory Compliance

X Significant Characteristic relating to Process Control

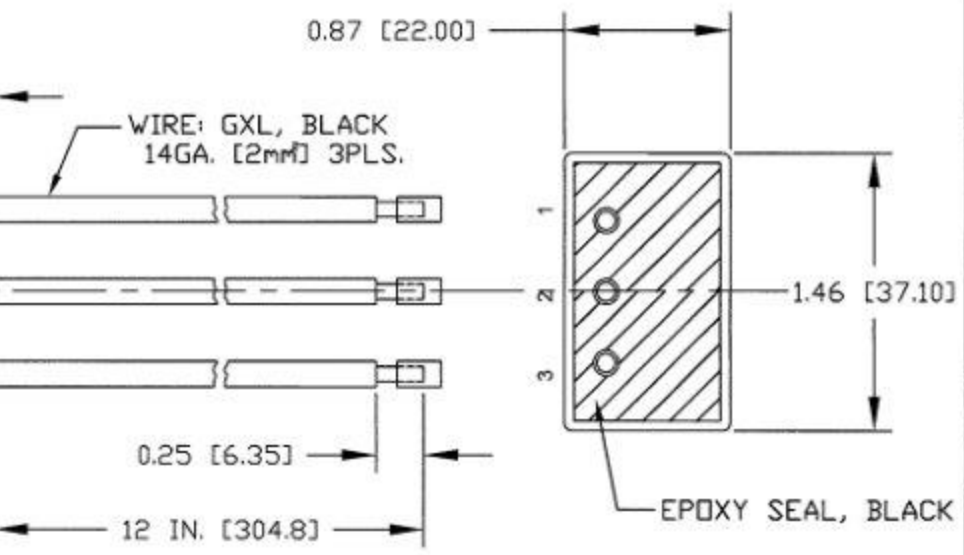
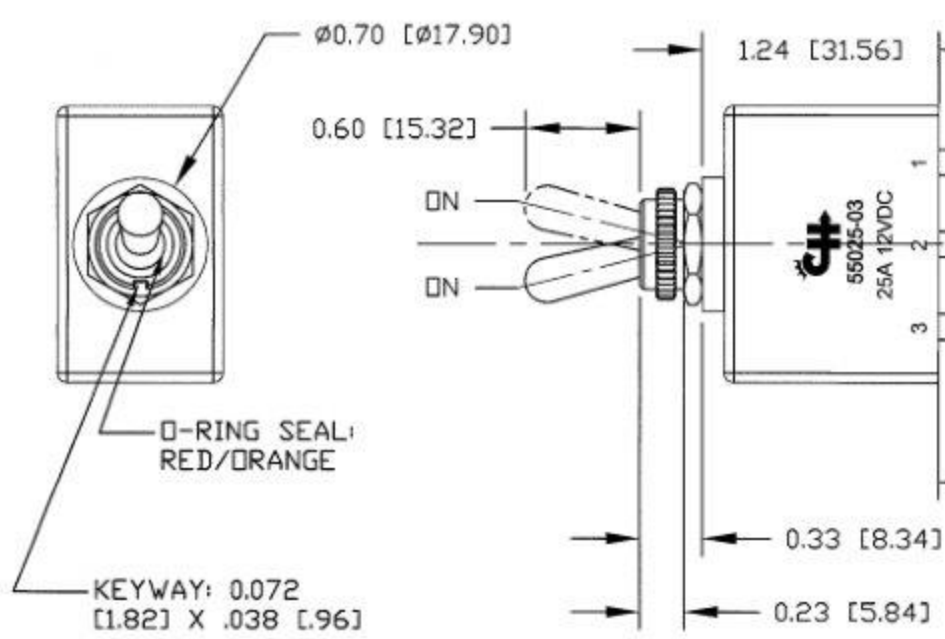
KC Control Dimension relating to Form - Fit - Function as defined by Cole Hersee Company and/or the Customer

Cole Hersee Co.
 20 Old Colony Ave., South Boston, MA, 02127
 Phn: 617-268-2100 Web: www.colehersee.com

Description: SW. TOGGLE, ON-OFF-ON



Revision Control Record			
Rev.	Description of Change	ECN No.	Date
A	NEW DRAWING RELEASE	11432	12/08/11



- NOTES:
 1) SEALED TOGGLE SWITCH, SPDT, SILVER CONTACTS.
 2) SEALING SPEC: IP67.
 3) ENVIRONMENTAL: -40 TO 85°C
 4) BUSHING, TOGGLE & HWARE: BRASS, NICKEL PLATED.
 5) ELECTRICAL RATING: 25A @ 12vDC; 15A @ 24vDC.
 6) ALL HARDWARE ASSEMBLED.

Tolerances Unless otherwise specifically noted, the following are default tolerances:
 2-places +/- 0.02"
 3-places +/- 0.005"
 Angular +/- 1'
 Metric: Shown in [] refers to equivalent English Dim Tol
 "REF." or an Asterisk (*) = Non-Toleranced Reference Dimension, shown for clarification purposes only.
 NOTE: All tolerances are Non-Cumulative.

PROPRIETARY INFORMATION
 This Engineering Drawing, and the information contained herein, is proprietary to Cole Hersee Company and may not be disclosed, re-produced, or in any other way transferred or communicated to any other party without the express written consent of an authorized representative of Cole Hersee Company.

Special Characteristics:
 CC Critical Characteristic, relating to Safety and/or Regulatory Compliance
 X Significant Characteristic relating to Process Control
 KC Control Dimension relating to Form - Fit - Function as defined by Cole Hersee Company and/or the Customer

Cole Hersee Co.
 20 Old Colony Ave., South Boston, MA, 02127
 Phn: 617-268-2100 Web: www.colehersee.com

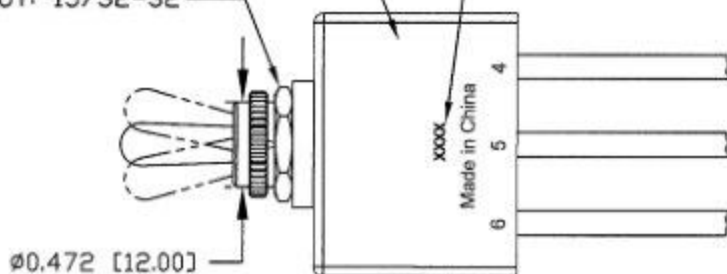
Description: SW. TOGGLE, ON-ON

Drawing / Part No.: 55025-03

Current Rev.: A

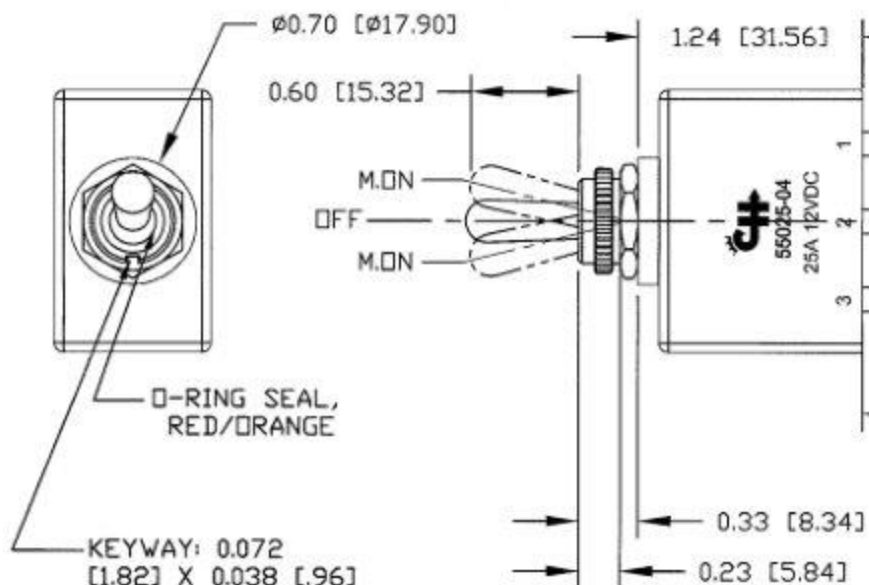
HOUSING: PLASTIC, BLACK
 HEXNUT: 15/32-32

DATE CODE

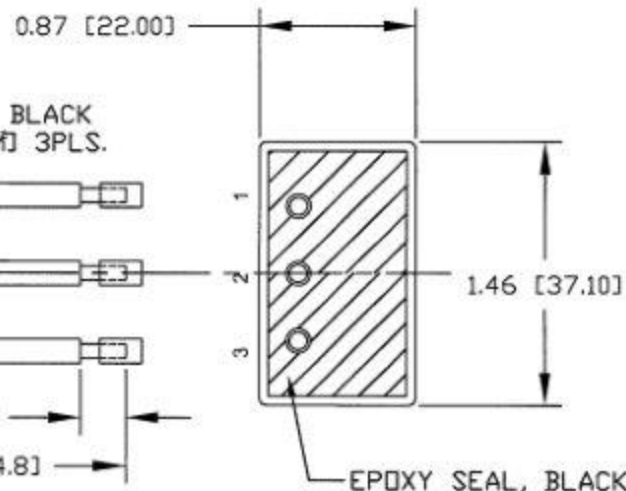


Ø0.472 [12.00]

Revision Control Record			
Rev.	Description of Change	ECN No.	Date
A	NEW DRAWING RELEASE	11433	12/08/11



WIRE: GXL, BLACK
 14GA. [2mm] 3PLS.



NOTES:

- 1) SEALED TOGGLE SWITCH, SPDT, SILVER CONTACTS.
- 2) SEALING SPEC: IP67.
- 3) ENVIRONMENTAL: -40 TO 85°C
- 4) BUSHING, TOGGLE & HWARE: BRASS, NICKEL PLATED.
- 5) ELECTRICAL RATING: 25A @ 12vDC; 15A @ 24vDC.
- 6) ALL HARDWARE ASSEMBLED.
- 7) TOGGLE ACTUATION FORCE: 32-36 OZ [8.9-10.0N], EITHER SIDE.

Tolerances Unless otherwise specifically noted, the following are default tolerances:
2-places +/- 0.02"
3-places +/- 0.005"
Angular +/- 1'
 Metric: Shown in [] refers to equivalent English Dim Tol
 REF. or an Asterisk () = Non-Toleranced Reference Dimension, Shown for Clarification purposes only.
 NOTE: All tolerances are Non-Cumulative.

PROPRIETARY INFORMATION
 This Engineering Drawing, and the information contained herein, is proprietary to Cole Hersee Company and may not be disclosed, re-produced, or in any other way transferred or communicated to any other party without the express written consent of an authorized representative of Cole Hersee Company.

Special Characteristics:
 Critical Characteristic, relating to Safety and/or Regulatory Compliance
 Significant Characteristic relating to Process Control
 Control Dimension relating to Form-Fit - Function as defined by Cole Hersee Company and/or the Customer

Cole Hersee Co.
 20 Old Colony Ave., South Boston, MA, 02127
 Phn: 617-268-2100 Web: www.colehersee.com

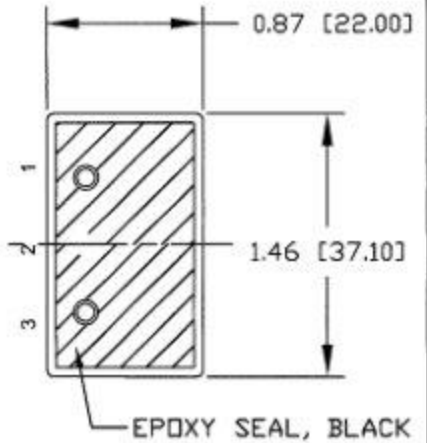
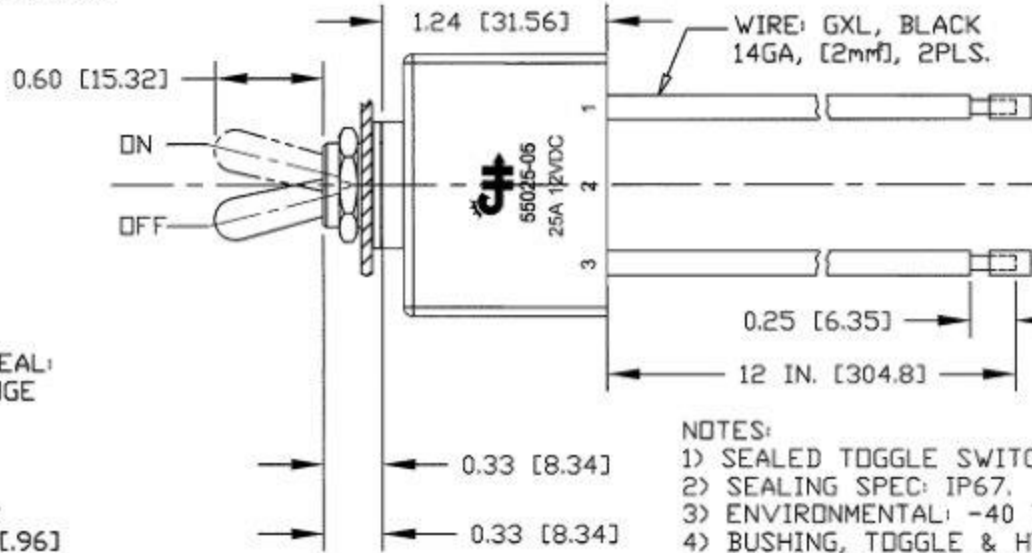
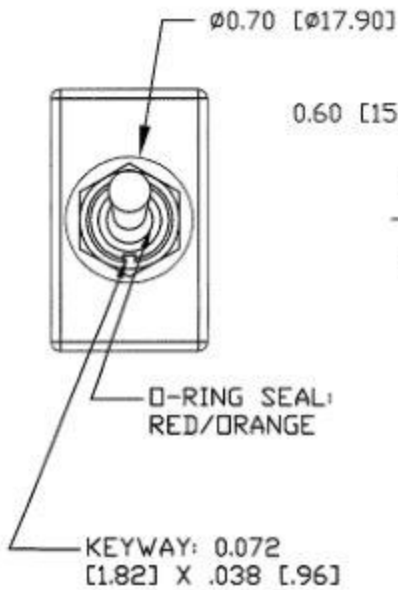
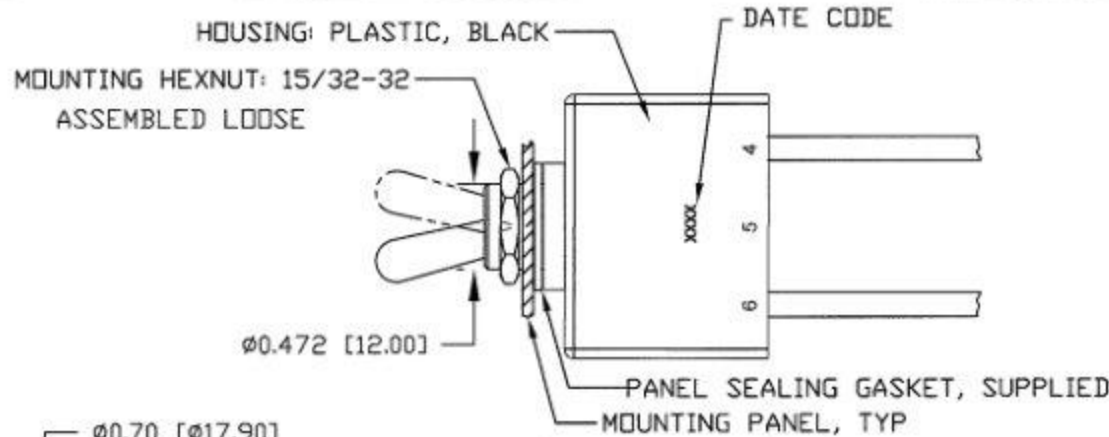
Description: **SW. TOGGLE, M.ON-OFF-M.ON**

Drawing / Part No.: **55025-04**

Current Rev.: **A**

Revision Control Record

Rev.	Description of Change	ECN No.	Date
A	PRODUCT DRAWING RELEASE	11434	12/07/11



- NOTES:
- 1) SEALED TOGGLE SWITCH, SPST, SILVER CONTACTS.
 - 2) SEALING SPEC: IP67.
 - 3) ENVIRONMENTAL: -40 TO 85°C
 - 4) BUSHING, TOGGLE & HWARE: BRASS, NICKEL PLATED. ALL HARDWARE ASSEMBLED.
 - 5) ELECTRICAL RATING: 25A@12vDC; 15A@24vDC.
 - 6) LIFE CYCLES: 50K CYCLES @ 12 OR 24vDC
 - 7) MOUNTING PANEL HOLE DIA: 0.468-0.474 [11.89-12.04 MM]

Tolerances Unless otherwise specifically noted, the following are default tolerances:

2-places +/- 0.02"
3-places +/- 0.005"
Angular +/- 1'

Metric: Shown in [] refers to equivalent English Dim Tol

REF. or an Asterisk (*) = Non-Toleranced Reference Dimension, shown for clarification purposes only.

NOTE: All tolerances are Non-Cumulative.

PROPRIETARY INFORMATION
 This Engineering Drawing, and the information contained herein, is proprietary to Cole Hersee Company and may not be disclosed, re-produced, or in any other way transferred or communicated to any other party without the express written consent of an authorized representative of Cole Hersee Company.

Special Characteristics:

- CC Critical Characteristic, relating to Safety and/or Regulatory Compliance
- X Significant Characteristic relating to Process Control
- KC Control Dimension relating to Form - Fit - Function as defined by Cole Hersee Company and/or the Customer

Cole Hersee Co.
 20 Old Colony Ave., South Boston, MA, 02127
 Phn: 617-268-2100 Web: www.colehersee.com

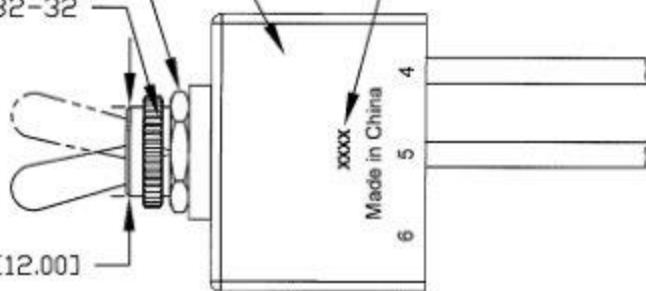
Description: **SW. TOGGLE, ON-OFF**

Drawing / Part No.: **55025-05** **Current Rev.:** **A**

HOUSING: PLASTIC, BLACK
 HEXNUT: 15/32-32
 FACE NUT: 15/32-32

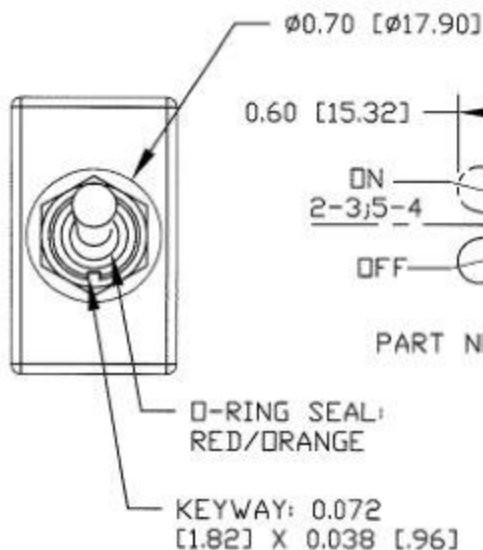
DATE CODE

0.472 [12.00]



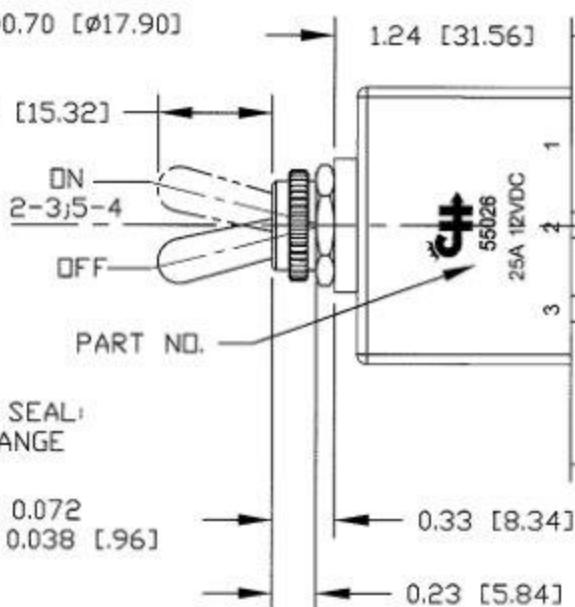
Revision Control Record

Rev.	Description of Change	ECN No.	Date
A	NEW PRODUCT RELEASE	13150	05/29/13



O-RING SEAL:
RED/ORANGE

KEYWAY: 0.072
[1.82] X 0.038 [.96]

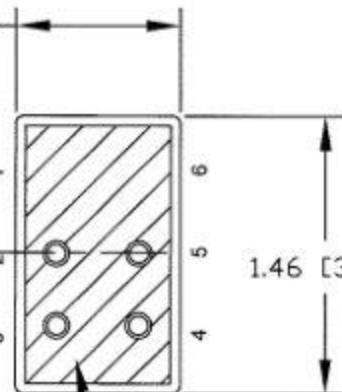


PART NO.

55026
25A 12VDC

WIRE: GXL, BLACK
14GA, [2mm], 4PLS.

0.87 [22.00]



EPOXY SEAL, BLACK

NOTES:

- 1) SEALED TOGGLE SWITCH, DPST, SILVER CONTACTS.
- 2) SEALING SPEC: IP67.
- 3) ENVIRONMENTAL: -40 TO 85°C
- 4) BUSHING, TOGGLE & HDWARE: BRASS, NICKEL PLATED.
- 5) ELECTRICAL RATING: 25A@12VDC; 15A@24VDC.
- 6) ALL HARDWARE ASSEMBLED.

Note: unless noted otherwise all dimension are AFTER plating
 Tolerances: Unless otherwise specifically noted, the following
 are default tolerances:

2-places ± 0.02 [0.5] 3-places ± 0.005 [0.13] Angular ± 1'

Unless otherwise specified dimensions are in inches.
 Dimensions in brackets [] are in millimeters.

"REF" = Non-Toleranced Reference Dimension, shown for
 clarification purposes only.

Note: All tolerances are Non-Cumulative.

**PROPRIETARY
 INFORMATION**

All information contained
 herein, is proprietary to the
 Cole Hersee Company.
 Unauthorized use or
 reproduction is prohibited.

3RD ANGLE PROJECTION

Special Characteristics:

- Critical Characteristic, relating to Safety and/or Regulatory Compliance
- Significant Characteristic relating to Process Control
- Control Dimension relating to Form - Fit - Function as defined by Cole Hersee Company and/or the Customer



Littelfuse®

Phn: 617-268-2100 Web: www.colehersee.com

Description: **SW, TOGGLE, DPST,
 ON-OFF**

Drawing /
 Part No.:

55026

Current Rev.

A