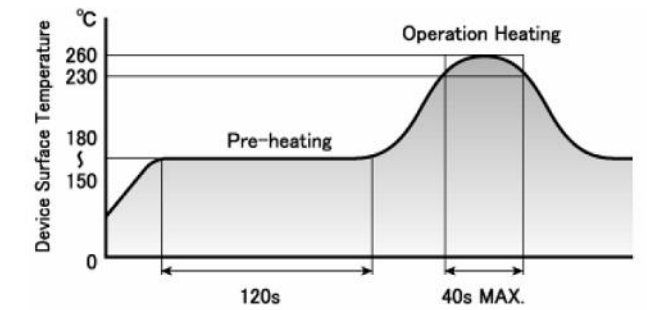
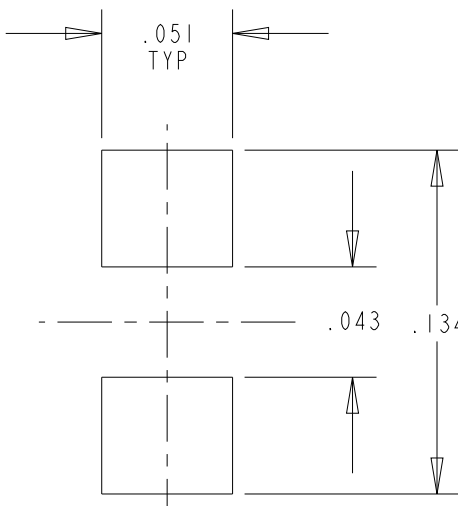
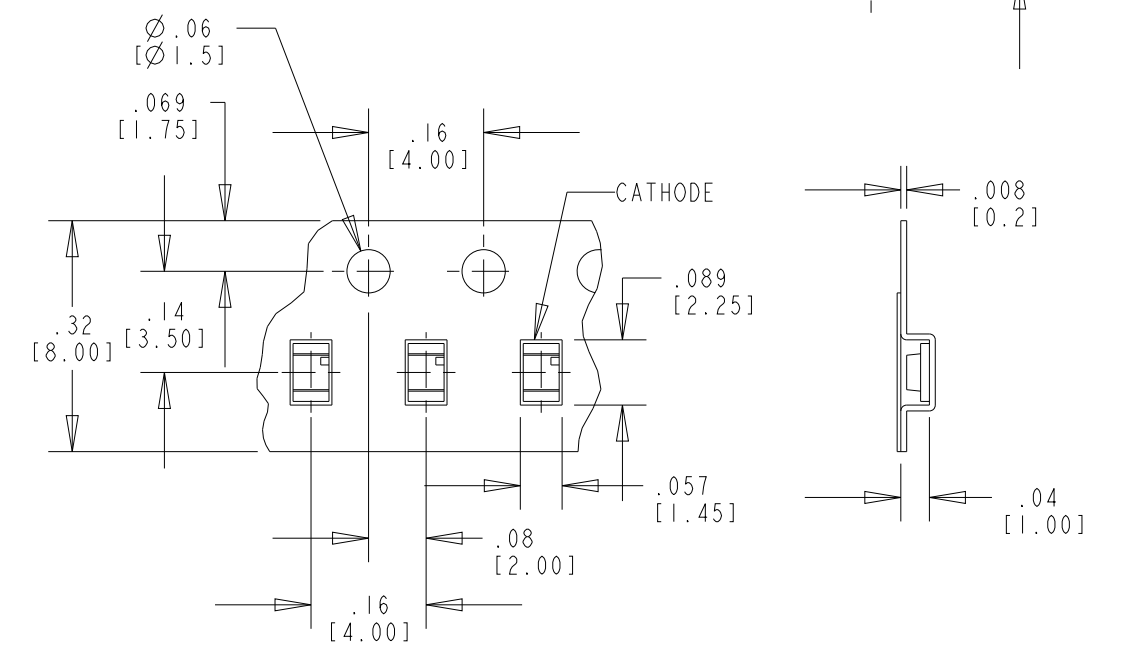
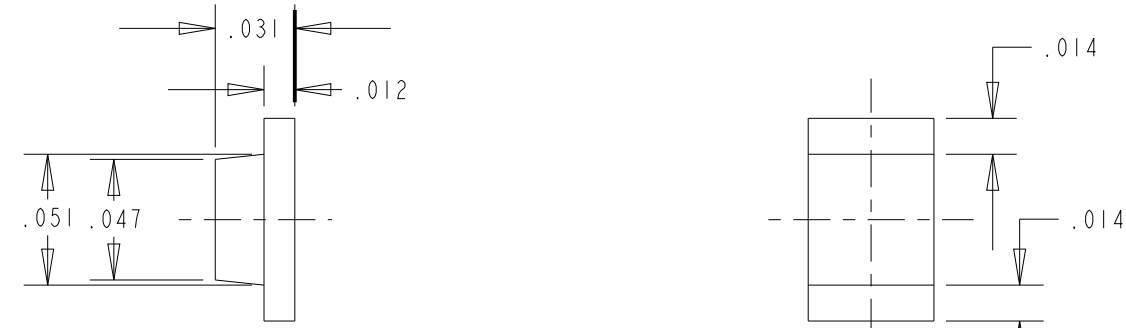
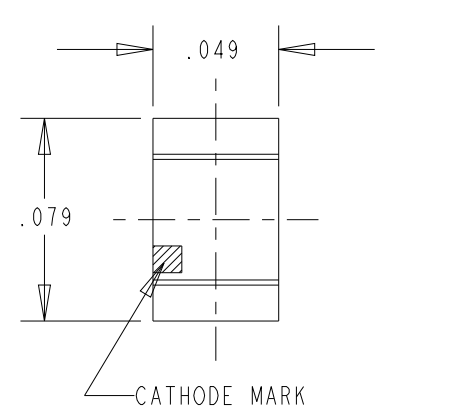


DIALIGHT P/N	LED CHIP MATERIAL	COLOR	EPOXY COLOR	OPERATING CHARACTERISTICS AT 25°C AMBIENT											
				I <sub>F</sub> (mA)	FORWARD VOLTAGE (V)		LUMINOUS INTENSITY (mcd)			REVERSE CURRENT (μA) (@ V <sub>R</sub> = 4 V)	PEAK WAVELENGTH (nm)	DOMINANT WAVELENGTH (nm)			VIEWING ANGLE (DEG)
					TYP	MAX	MIN	TYP	MAX	MAX		MIN	TYP	MAX	
597-5111-407F, -402F	AlGaAs	RED	WHITE DIFFUSED	20	1.7	2.3	7.0	11.7	16.4	100	660	642	647	653	150
597-5202-407F, -402F	GaP	ORANGE		20	2.2	2.8	2.2	3.7	5.2	100	605	600	606	612	150
597-5311-407F, -402F	GaP	GREEN		20	2.1	2.8	3.8	6.4	9.0	100	560	562	567	573	150
597-5411-407F, -402F	GaP	YELLOW-GREEN		20	2.1	2.8	7.0	11.7	16.4	100	570	570	572	577	150

REV	ECN NO	REVISIONS	DRN	CKD	APP	DATE
A		NEW RELEASE	TWC	N.O.	MES	10-11-05
B		"YELLOW-GREEN" WAS "YELLOW"	BP		NO	9-6-17



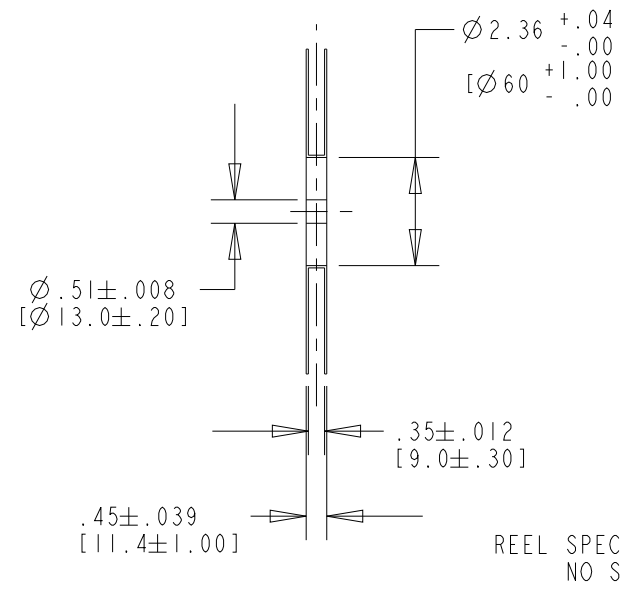
RoHS COMPLIANT REFLOW PROFILE



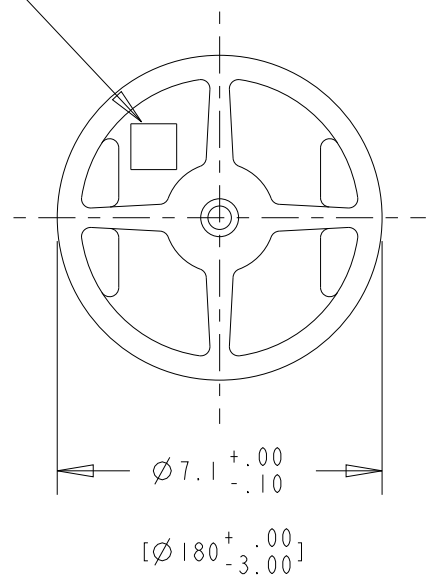
SOLDER PAD LAYOUT

TAPE & REEL SPECIFICATION NO SCALE

LABEL TO CONTAIN: DIALIGHT LOGO, DIALIGHT CATALOG PART NUMBER, QUANTITY, DATE OF MANUFACTURE, LOT NUMBER, RANK OF LUMINOUS INTENSITY, COUNTRY OF ORIGIN.



REEL SPECIFICATION NO SCALE



**RoHS Compliant 597-5XXX-407F, -402F Surface Mount CBI**

Part Numbers with the "F" suffix ending are RoHS Compliant. Example: 597-5311-407F, -402F. Reel and bag packaging is marked with "RoHS Compliant" label or equivalent markings. This part can be used with RoHS reflow profile. Parts can be wave soldered, dip soldered or hand soldered using typical lead-free soldering process with max 260°C temp. for 5 sec.

NOTES:

- SOLDER TERMINALS: GOLD PLATED.
- SOLDER ADHERENCE: EACH PAD PER MIL-STD-202E, METHOD 208C.
- TAPE AND REEL AS PER EIA STANDARD 481-1 WITH CATHODE TOWARD SPROCKET.
- 407F PARTS PACKAGED ON 180 mm DIA. REEL, 8 mm TAPE, 4000/REEL (SEE SKETCH). -402F PARTS PACKAGED ON A 20 PC SAMPLE STRIP.
- DIALIGHT PART NUMBERS: 597-5111-407F, -402F; 597-5202-407F, -402F; 597-5311-407F, -402F; 597-5411-407F, -402F.
- TAPE AND REEL LEDS MAY REQUIRE RE-TAPING AFTER TWELVE MONTHS.

ABSOLUTE MAXIMUM RATING AT 25°C AMBIENT	RED	YELLOW-GREEN GREEN ORANGE	UNITS
POWER DISSIPATION	57.5	70	mW
CONTINUOUS FORWARD CURRENT		25	mA
PEAK FORWARD CURRENT (< 1/20 DUTY CYCLE T <sub>w</sub> < 1 ms)		60	mA
DERATE LINEAR FROM 25°C		0.36	mA/°C
REVERSE VOLTAGE		4	V
OPERATING TEMPERATURE		-30 TO +85	°C
STORAGE TEMPERATURE		-40 TO +100	°C
DIP SOLDERING FOR 5 SEC MAX		260	°C
IRON SOLDERING TEMPERATURE (3 SEC MAX)		280	°C

THIS DRAWING AND THE CONTENTS HEREIN ARE CONFIDENTIAL AND THE SOLE PROPERTY OF DIALIGHT CORP. REPRODUCTION OF THIS DRAWING OR CONSTRUCTION OF ANY PARTS WITHIN THIS DRAWING ARE FORBIDDEN WITHOUT THE WRITTEN CONSENT OF DIALIGHT CORP.

SCALE: DRAWING SCALE	DRAWING NUMBER	REV
ALL DIM'S: INCH (mm)	C-17317	B
TOLERANCES: UNLESS OTHERWISE SPECIFIED	TITLE	
FRACTIONS: ±1/64	SMT LED	
DECIMALS (.XX): ±.01	RoHS COMPLIANT	
DECIMALS (.XXX): ±.005	MATERIAL	
DECIMALS (.XXXX): ±.0005	FINISH	
ANGLES: ±1°	Dialight	
	FSCM 83330	1501 ROUTE 34 SOUTH FARMINGDALE, NJ 07727 (732) 919-3119 www.dialight.com
	SHEET 1 OF 1	FAMILY TABLE: