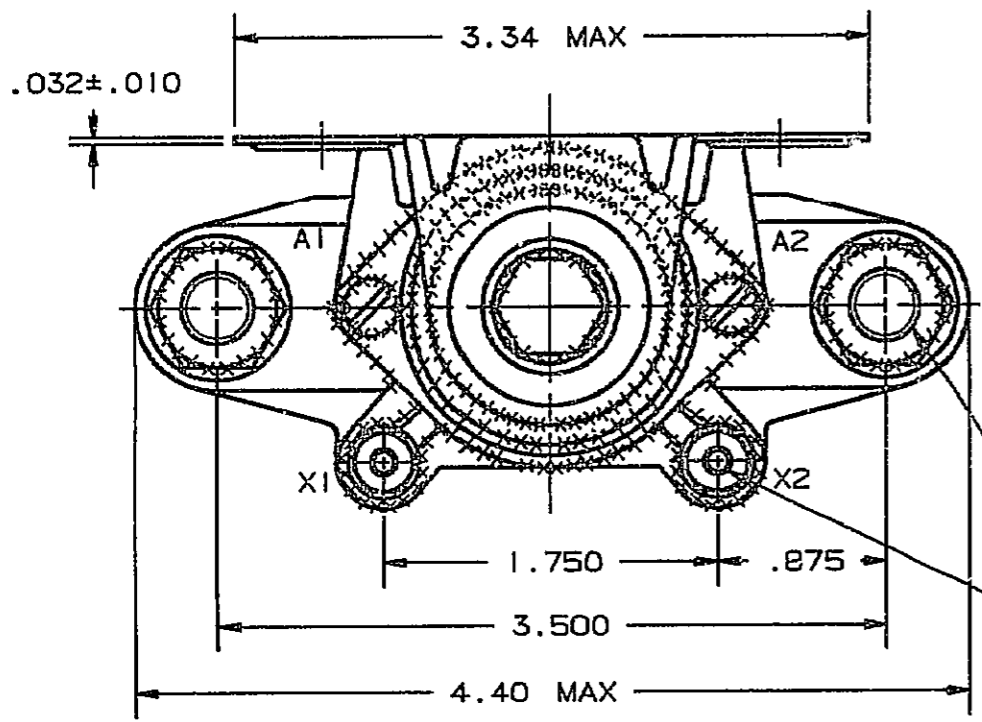
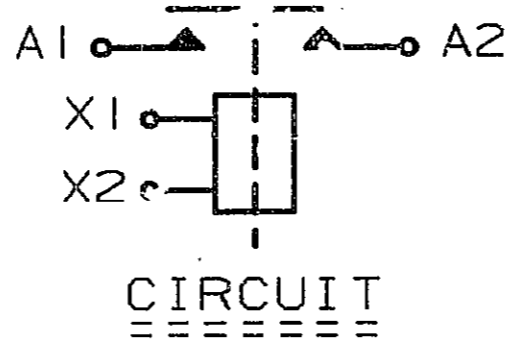
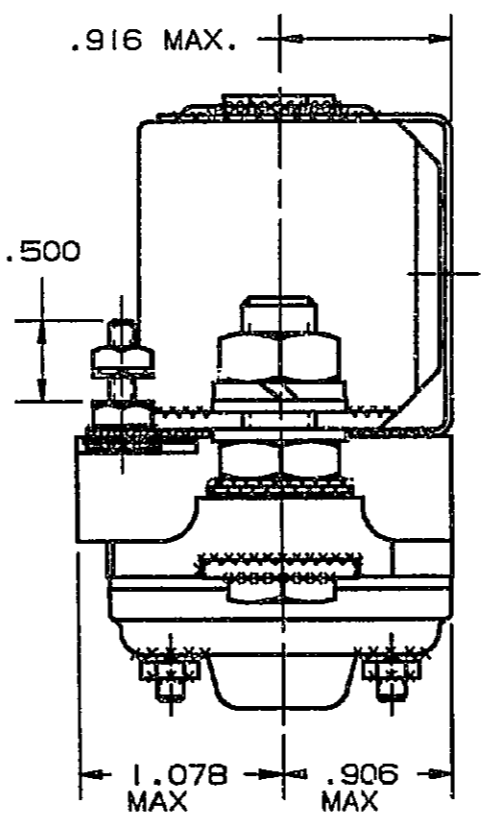
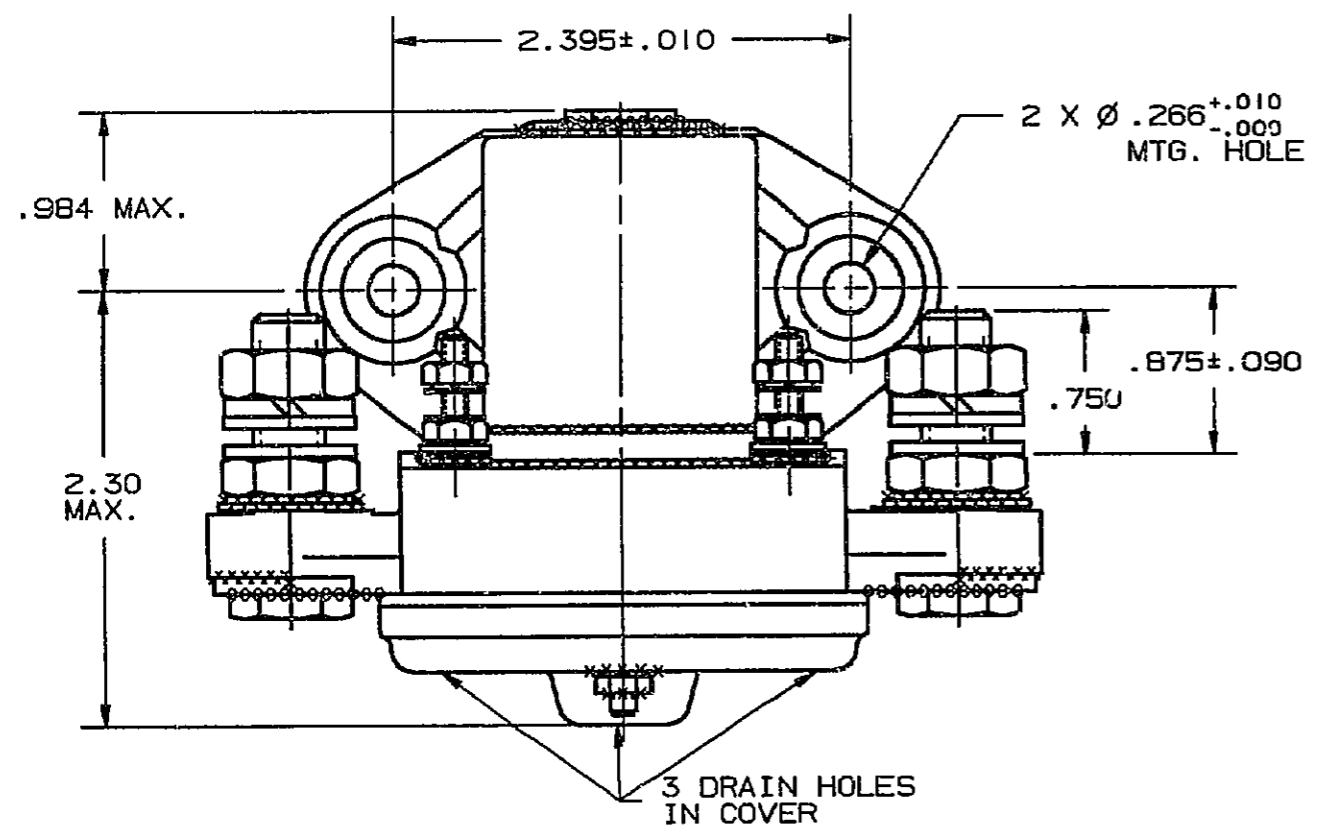


DETAIL REQUIREMENTS: REF. MIL-R-6106	
(A) CONSTRUCTION - GASKET/ MOISTURE SEALED - IPST NORMALLY OPEN	
(B) MAIN CONTACT RATING	28VDC NOM. 200 AMPS DC 100 AMPS DC 200 AMPS DC 0.150 VOLT 0.175 VOLT 20 AMPS (NO) 2,000 AMPERES
(C) LIFE - ELECTRICAL MECHANICAL	50,000 CYCLES 100,000 CYCLES
(D) COIL DATA - UTILITY CYCLE	INTERMITTENT AT 28 VDC 12 VDC 10 +15/-10% OHMS 1.33 AMPS MAXIMUM 7.5 VDC MAX. 3.5 - .75 VDC CONTACT BOUNCE AT 28 VDC & 25°C MAX. -OPERATE TIME -RELEASE TIME
(E) DIELECTRIC AND INSULATION RESISTANCE	100 MEGOHMS 50 MEGOHMS 2-5 SECONDS 1250 (INITIAL) 1000 (AFTER LIFE TEST) 1250 (INITIAL) 1000 (AFTER LIFE TEST) 1 MINUTE 500 (INITIAL AND AFTER LIFE TEST) 700 (INITIAL AND AFTER LIFE TEST)
(F) ENVIRONMENTAL CHARACTERISTICS	-55 TO +71°C 50,000 FT. 25 G'S 6-9 MILLISECONDS 2 MILLISECONDS .09" D.A. .06" D.A. 2 G'S PER SPEC. PER SPEC. 10 G'S PER SPEC. 1.33 LBS.



3/8(.375)-24 UNF-2A
(2) TERMINALS. RECOMMENDED
INSTALLATION TORQUE 90 LB IN MAX

#6(.138)-32 UNC-2A
(2) COIL TERMINALS. RECOMMENDED
INSTALLATION TORQUE 6 LB IN MAX



REV. 7-24-00	CURRENT CHANGE STATUS VP HR KCC	PROJECT NO. DT76-4000	BASIC SPECS. SUMMARY ANSI Y14.5M-1982	DESCRIPTION: 200 AMP, SPST, MOISTURE SEALED RELAY, TYPE III	
SAR-00-263		CAD DRAWING NO MANUAL CHGS.		DO NOT SCALE DRAWING. WORK ACCORDING TO DIMENSIONS.	
DESCR: UPDATED RTV.		FSCM 81640	ALL DIMENSIONS IN INCHES DECIMAL TOLERANCES .XX = ±.005 .XXX = ±.062 ANG. = ±.005	DR. G. LAMBOY 4-11-84	THIRD ANGLE PROJECTION
SCALE: NONE	ORIG. REL. ECO N/A			CHK. G. LAMBOY 4-11-84	SIZE GRADE
				APP. F. SCIANNI 4-19-84	B
				AEROSPACE CONTROLS DIVISION	
				6041H190	
				SHEET 1 OF 1	