

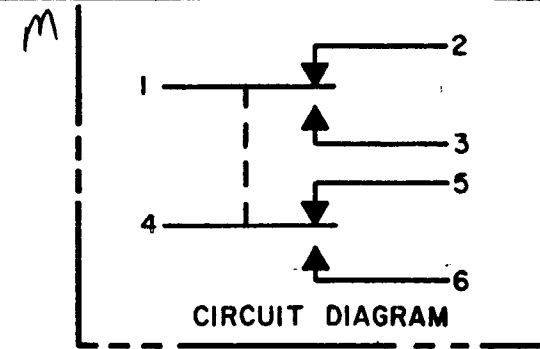
**MICRO SWITCH**

FREEPORT, ILLINOIS, U.S.A.  
A DIVISION OF HONEYWELL

FED. MFG. CODE 91929

**SWITCH-ENCLOSED**

CATALOG LISTING  
**622EN52-6**



STAINLESS STEEL SCREW WITH  
.032 WIDE X .040 DEEP SLOT

ROLLER MAY BE LOCKED IN  
INCREMENTS OF 45° AZIMUTH  $\triangle 6$

4-40 UNC-3B MINIATURE  
LOCK NUT-STAINLESS STEEL

(6) NO. 20 WIRE LEAD PER MIL-W-22759/7  
MARKED WITH CIRCUIT IDENTIFICATION AND  
WIRE GAGE (1-20, 2-20, ETC) PER MIL-W-5088  $\triangle 8$

.072±.004 WIDE X .031±.003  
DEEP KEYWAY TO WITHIN  
.250 OF SHOULDER

CORROSION RESISTANT  
STEEL PLUNGER AND  
BUSHING

1.485±.030  
FREE  
POSITION

1.000±.030

.047 DIA HOLE FOR  
WIRE LOCKING (3)

1.000 MAX

.688±.030 DIA

.392

.375 DIA X .104 WIDE CORROSION  
RESISTANT STEEL ROLLER

15/32-32 UNS THREAD TO WITHIN .093 OF SHOULDER

CORROSION RESISTANT STEEL HEX NUT,  
.62 ACROSS FLATS X .125 THICK (2) (MS 21340-04)  $\triangle 7$

CORROSION RESISTANT STEEL INTERNAL TOOTH  
LOCKWASHER, .60 DIA X .018 REF THICK (MS 35333-136)  $\triangle 7$

CORROSION RESISTANT STEEL KEYING WASHER,  
.72 DIA X .040 THICK, TAB .110 WIDE (MS 25081C4)  $\triangle 7$

.05

.375±.030

72.000 MIN

622EN52-6  
 M  
 DRAWING NUMBER  
 20  
 ISSUE  
 CMH 09 APR 09  
 CHECK  
 REVISIONS  
 A CO46610  
 DJW 19 OCT 79  
 B CO47573  
 PART 4  
 R J H 18 AUG 80  
 C CO49806  
 J A P 25 SEPT 81  
 D CO54620  
 J A S 16 FEB 84  
 E CO67370  
 J A P 14 MAY 85  
 F 75612 B  
 WES 16 AUG 93  
 G 0051009  
 SJK 09 APR 09  
 FO-82851-B  
 DRAWN  
 D J W 19 OCT 79  
 CHECK  
 C  
 RELEASE NO. PR-5465  
 REPLACES

THIS DRAWING COVERS A PROPRIETARY ITEM AND IS THE PROPERTY OF MICRO SWITCH, A DIVISION OF HONEYWELL. THIS DRAWING IS NOT TO BE COPIED OR USED WITHOUT THE APPROVAL OF MICRO SWITCH.

CHARACTERISTICS	
OPERATING FORCE	3-6 LB
FULL OVERTRAVEL FORCE	17 LB MAX
RELEASE FORCE	2 LB MIN
PRETRAVEL	.040 MAX
DIFFERENTIAL TRAVEL	.020 MAX
OVERTRAVEL	.125 MIN

ELECTRICAL DATA		
CONTACT ARRANGEMENT		
SPDT (2)		
LOAD	28 VDC	
	SEA LEVEL	50,000 FT.
RES	7	7
IND	4	2.5
MOTOR	4	
LAMP		

SCALE FULL			
DO NOT SCALE PRINT			
TOLERANCES			
APPLY TO DESIGN UNITS. CONVERSIONS ARE ONLY FOR REFERENCE. UNLESS NOTED, TOLERANCES ARE 2			
DIM.	TOL.	DIM.	TOL.
mm	mm/in	in	mm/in
NO PLACES	X	1/64	X
ONE PLACE	X,X	0.47/0.16	X,X
TWO PLACES	X,X,X	0.16/0.08	X,X,X
THREE PLACES	X,X,X,X	0.13/0.05	X,X,X,X
ANGLES			
DESIGN UNITS		<input type="checkbox"/> SI METRIC <input checked="" type="checkbox"/> US CUSTOMARY	
THIRD ANGLE PROJECTION			
WEIGHT 8.0 OZ MAX			

- NOTES
- 1 - CORROSION RESISTANT STEEL ENCLOSURE
  - 2 - SWITCH SEALED PER MIL-PRF-8805 SYMBOL 4
  - 3 - COINCIDENCE OF OPERATING AND RELASING POINTS: .010 OF PLUNGER TRAVEL
  - 4 - CIRCUIT DIAGRAM AND CAT. LIST. ARE SHOWN ON NAMEPLATE
  - 5 - ELECTRICAL RATINGS APPLY AS SPECIFIED IN MIL-PRF-8805/43 UP TO 185°F
  - 6 - TO ADJUST ROLLER DIRECTION REMOVE LOCK NUT, SCREW AND ROLLER. DEPRESS PLUNGER UNTIL IT CAN BE ROTATED TO DESIRED POSITION. RETURN PLUNGER TO FREE POSITION AND REASSEMBLE ROLLER
  - 7 - HARDWARE MAY BE PACKAGED UNASSEMBLED PER MIL-PRF-8805
  - 8 - ELECTRICAL WIRES ON CENTERLINE WITH KEYWAY WITHIN ±6°

RASTER