



Certifications & Ratings

- RoHS compliant

Application

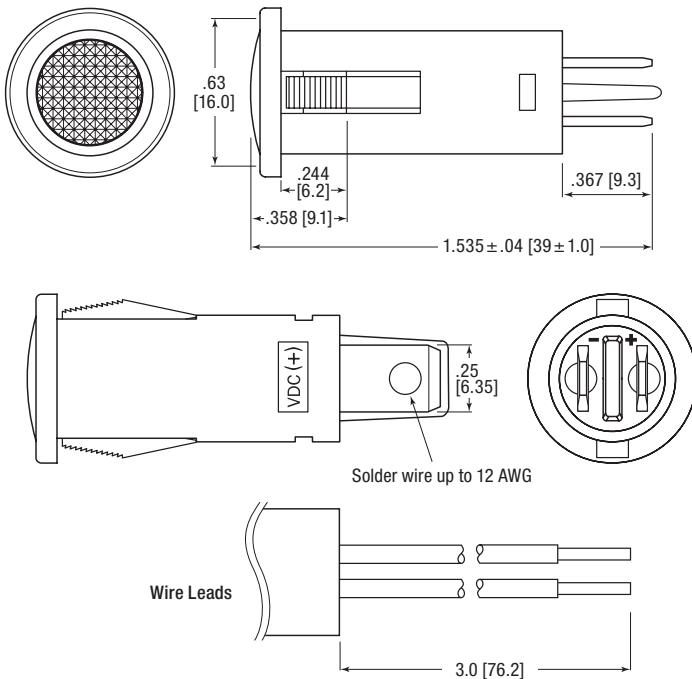
The 655 Series LED Panel Mount Indicators are designed for a variety of applications such as.

- Main power indication
 - Remote power indication
 - Status indication
 - Maintenance and warning indication
 - Instrumentation
- ... and many more!

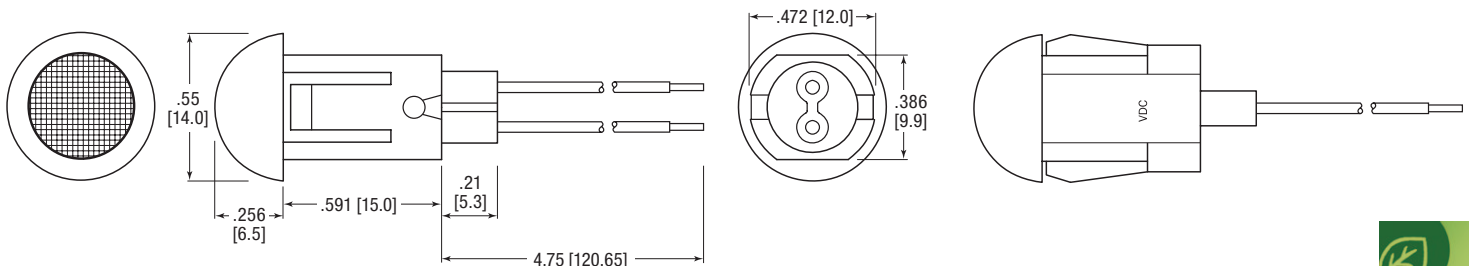
Dimensions

inches [mm]

Flat Lens



Domed Lens



Mechanical Information

Mounting Hole Size: 0.50" (12.7 mm)
Max Panel Thickness: 0.138" (3.5 mm) (Domed Lens);
 0.216" (5.5 mm) (Flat Lens)

Specifications

Voltage Options: 12 & 24 VDC
Operating temp: -20 °C to +85 °C (-4 °F to +185 °F)
Storage Temp: -20 °C to +85 °C (-4 °F to +185 °F)
Electrical Connection: Solder terminals (Flat Lens only) or wire leads
Housing: Polycarbonate
Terminals: Brass—Nickel Plated (Flat Lens only)
Wire Leads: 18 AWG (Flat Lens), 26 AWG (Domed Lens)

Part Number Guide *RoHS Compliant*

6	5	5	-	X	X	X	X	-	1	0	X	F	
				Lens Style						Voltage		Termination	
				Flat		1						3 Wire Leads	
				Domed		2						4 Solder Terminals <i>(Flat Lens only)</i>	
								Color					
				1		0		● Red					
				2		0		● Green					
				3		0		● Yellow					
				4		0		● Blue					

Dialight P/N		Color	Voltage (VDC)	Current (mA)	Typical Intensity (mcd)
Wire Leads	Solder Terminals				

Flat Lens

655-1103-103F	655-1103-104F	● Red	12	20	70
655-1203-103F	655-1203-104F	● Green			120
655-1303-103F	655-1303-104F	● Yellow			100
655-1403-103F	655-1403-104F	● Blue			70
655-1104-103F	655-1104-104F	● Red	24		70
655-1204-103F	655-1204-104F	● Green			120
655-1304-103F	655-1304-104F	● Yellow			100
655-1404-103F	655-1404-104F	● Blue			70

Domed Lens

655-2103-103F	NA	● Red	12	20	70
655-2203-103F	NA	● Green			140
655-2303-103F	NA	● Yellow			45
655-2403-103F	NA	● Blue			50
655-2104-103F	NA	● Red	24		70
655-2204-103F	NA	● Green			140
655-2304-103F	NA	● Yellow			45
655-2404-103F	NA	● Blue			50