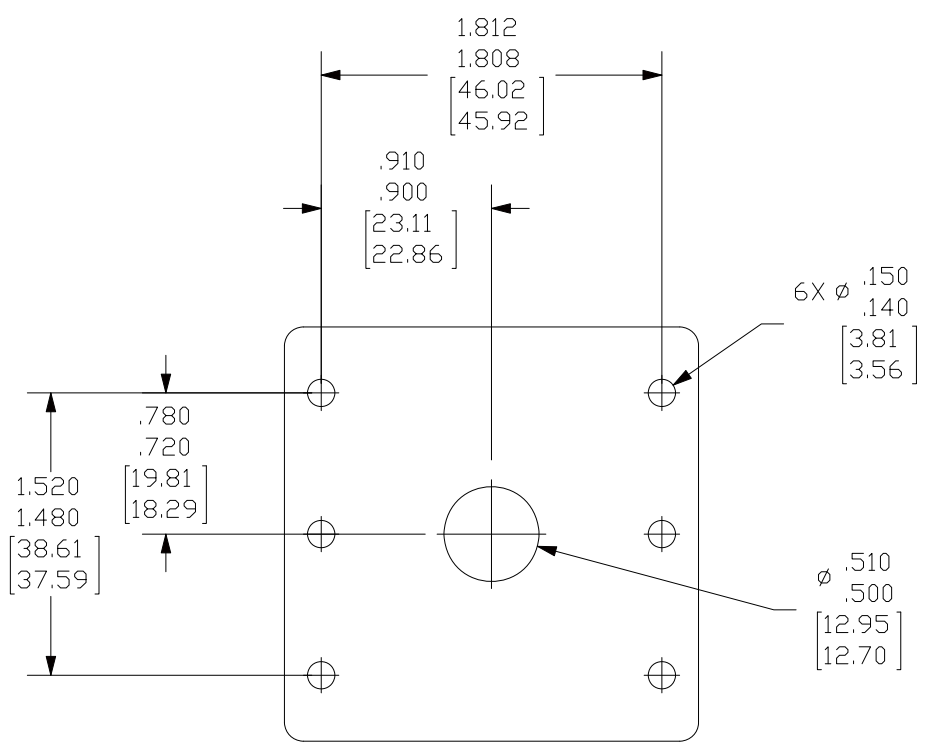
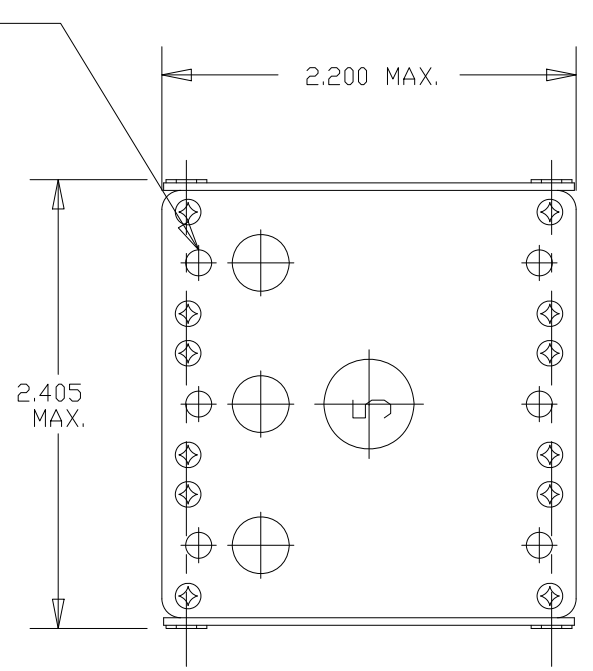


Property of
Sensata Technologies

ZONE	REV.	REVISION DESCRIPTION	ECN NO.	DATE
C3	AA	FRONT VIEW - DIM. .300/.240 WAS .348/.288;	ECO-080439	19-SEP-2012
C4		RT. SIDE VIEW - DIM. .270/.210 WAS .250/.235; RW		



DETAIL VIEW OF
MOUNTING HOLE LOCATION
INCHES [MM]

CALIBRATION:

SINGLE PHASE LOAD:

AMBIENT TEMP.	200% TIME* SEC.	400% TIME SEC.	1000% TIME SEC.
-54°C	15 - 65	2.3 - 10	.33 - 1.4
25°C	15 - 65	2.3 - 10	.33 - 1.4
71°C	15 - 65	2.3 - 10	.33 - 1.4

THREE PHASE BALANCED LOAD:

AMBIENT TEMP.	200% TIME* SEC.	400% TIME SEC.	1000% TIME SEC.
-54°C	15 - 180	2.3 - 11	.33 - 1.4
25°C	12 - 65	2.3 - 10	.33 - 1.4
71°C	12 - 65	2.0 - 10	.30 - 1.4

ULTIMATE TRIP:

AMBIENT TEMP.	HOLD	TRIP
-54°C	105%	170%
25°C	105%	140%
71°C	90%	140%

AMBIENT TEMP. LOAD IN ONE PHASE LOAD IN OTHER TWO PHASES

-54°C	170%	80%	MUST TRIP
25°C	145%	100%	MUST TRIP
25°C	160%	0%	MUST TRIP

RUPTURE:
ALL RATINGS: 120 VAC LINE TO NEUTRAL 400 CYCLES 2800 AMPS
205 VAC LINE TO LINE 400 CYCLES 2800 AMPS
120 VAC THREE-PHASE 400 CYCLES 2800 AMPS

ENDURANCE: 120 VAC, 400 C.P.S.
MECHANICAL 5,000 CYCLES
RESISTIVE LOAD 5,000 CYCLES
INDUCTIVE LOAD ≥ 35 AMPS 1,250 CYCLES
INDUCTIVE LOAD ≤ 25 AMPS 2,500 CYCLES

WEIGHT: .65 Lbs.

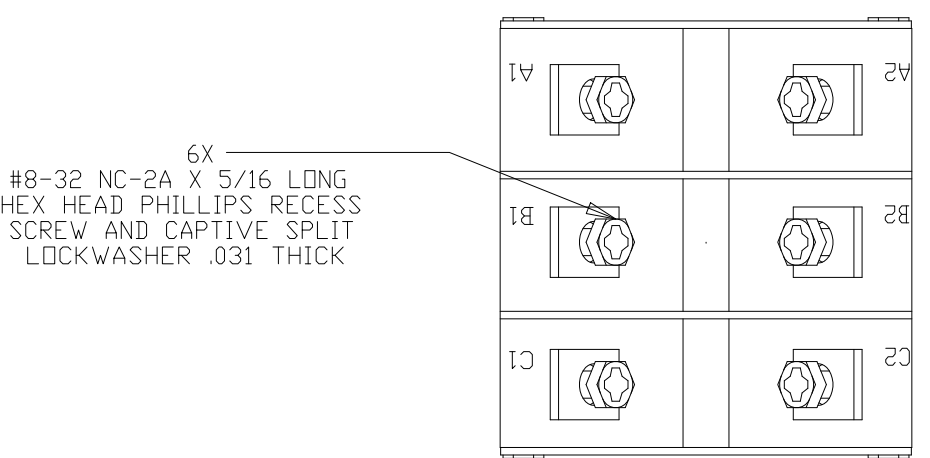
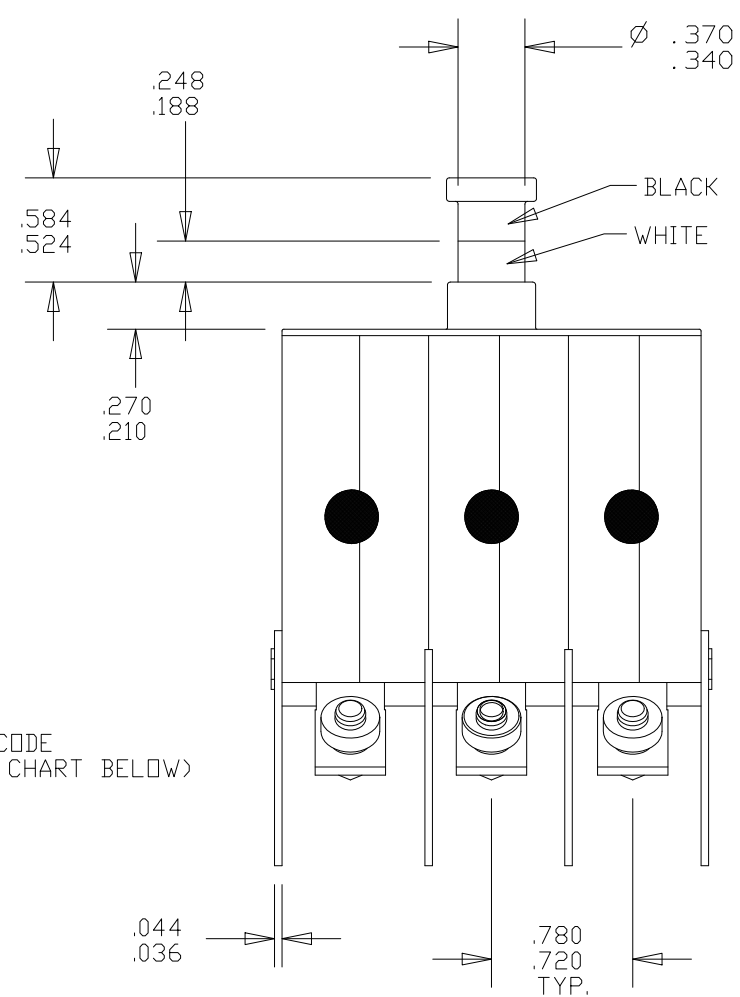
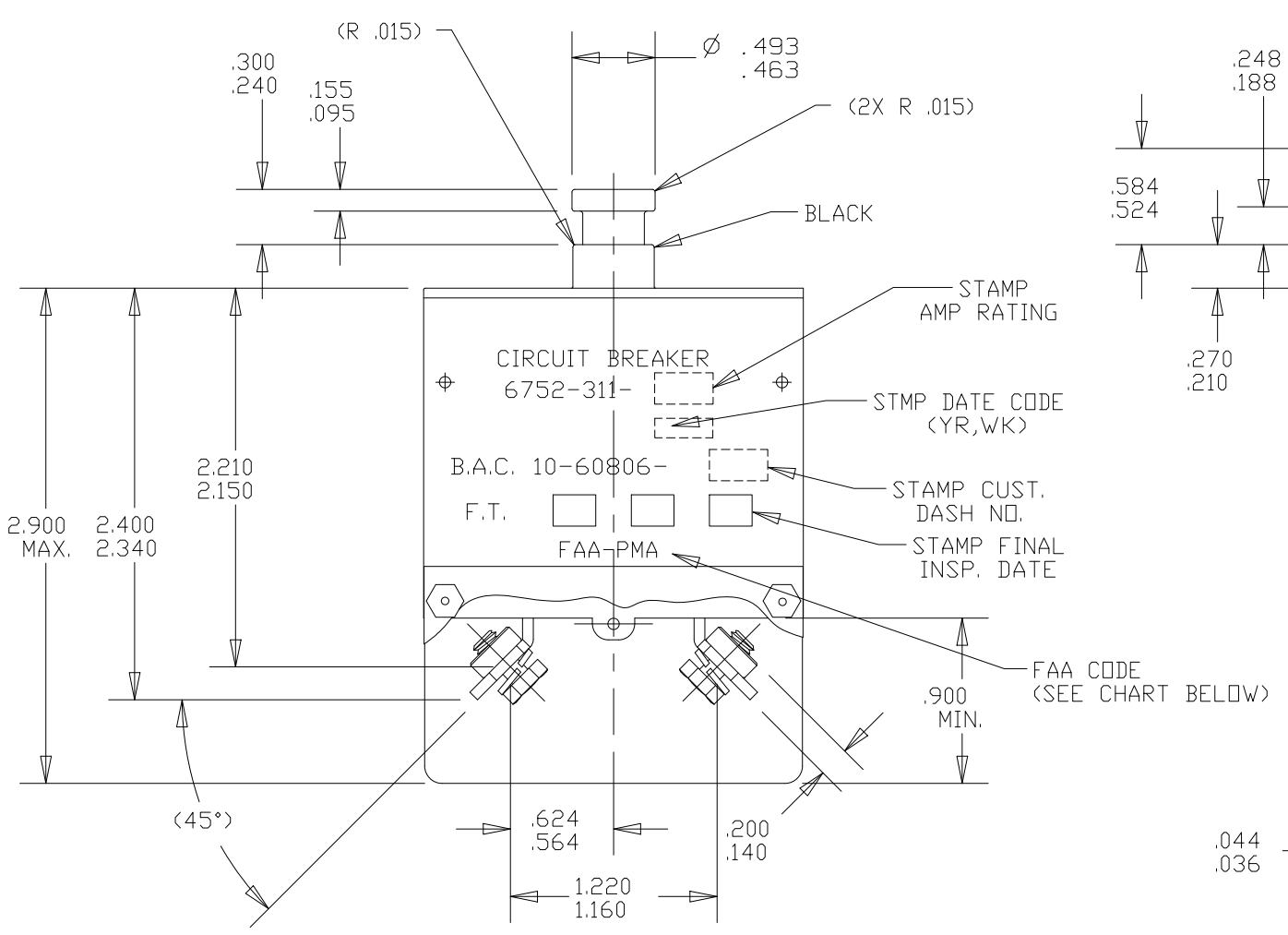
MECHANICAL SHOCK PER MIL-C-5809C
SAND AND DUST PER MIL-E-5272B
CORROSION PER MIL-C-5809C
HUMIDITY PER MIL-C-5809C
EXPLOSION PROOF PER MIL-E-5272B

FOR OTHER CHARACTERISTICS REFER TO SPECIFICATION 12552-2
THIS DRAWING TAKES PRECEDENCE OVER 12552-2

OPERATING FORCE: OPENING 6 - 14 LBS.
CLOSING 14 - 23 LBS

*APPLIES TO ALL RATINGS EXCEPT 2.5 AMP, SINGLE PHASE & THREE PHASE
200% TIME FOR 2.5 AMP RATING AT -54°C TO 71°C IS 10 TO 65 SEC.

- NOTES:
- QC FINAL + IN PROCESS STAMP REQUIRED ON LETTERED SIDE OF BREAKER.
 - WHEN THE BREAKER BUTTON IS RESET AFTER TRIPPING ON AN OVERLOAD, CONTINUITY WILL BE ESTABLISHED ON ALL THREE PHASES. IT WILL NOT BE POSSIBLE TO MAINTAIN THE BREAKER IN A SINGLE PHASE OR TWO PHASE CONDITION.
 - DELETE B.A.C. NO. ON 2 1/2 AMPS.



BOTTOM VIEW SHOWING
PHASE IDENTIFICATION
PART NO. 6752-311-5 SHOWN

6752-311-50	50	1050	YES
6752-311-40	40	1040	YES
6752-311-35	35	1035	YES
6752-311-25	25	1025	YES
6752-311-20	20	1020	YES
6752-311-15	15	1015	YES
6752-311-10	10	1010	YES
6752-311-7 1/2	7 1/2	1007	NO
6752-311-5	5	1005	YES
6752-311-2 1/2	2 1/2	SEE NOTE #3	NO
CPD PART NO.	CPD DASH NO.	CUSTOMER DASH NO.	FAA CODE

FOR REFERENCE ONLY, CHECK LATEST REVISION BEFORE USE.
PARTS MADE TO THIS PRINT MUST CONFORM TO E9898 REV. E

DRAWN CHAS. FLEURANT DATE 08-APR-1997	SENSATA TECHNOLOGIES PROPRIETARY AND CONFIDENTIAL. NEITHER THIS PRINT NOR THE INFORMATION CONTAINED HEREON IS TO BE USED AGAINST THE INTERESTS OF SENSATA TECHNOLOGIES OR AGAINST THE INTERESTS OF ANY OF ITS AFFILIATED COMPANIES OR WHOLLY OWNED SUBSIDIARIES.	529 PLEASANT STREET P.O. BOX 2964 ATTLEBORO, MA 02703
ENGINEER K.B. GASSER DATE 08-APR-1997	INTERPRET DIMENSIONING AND TOLERANCING PER ASME Y14.5-2009. UNLESS OTHERWISE SPECIFIED DIMENSIONS ARE IN INCHES. TOLERANCES DECIMALS ANGLES	TITLE 6752-311 TYPE 3 - PHASE PUSH PULL-TRIP FREE CIRCUIT BREAKER ENVELOPE DRAWING
APPROVED D.C. KARAVOLIS DATE 08-APR-1997	DO NOT SCALE DRAWING	SIZE C
DATE	THIRD ANGLE PROJECTION	DWG NO. 6752-311
		REV. AA
		SCALE 1:1 AUTOCAD SHEET 1 OF 1