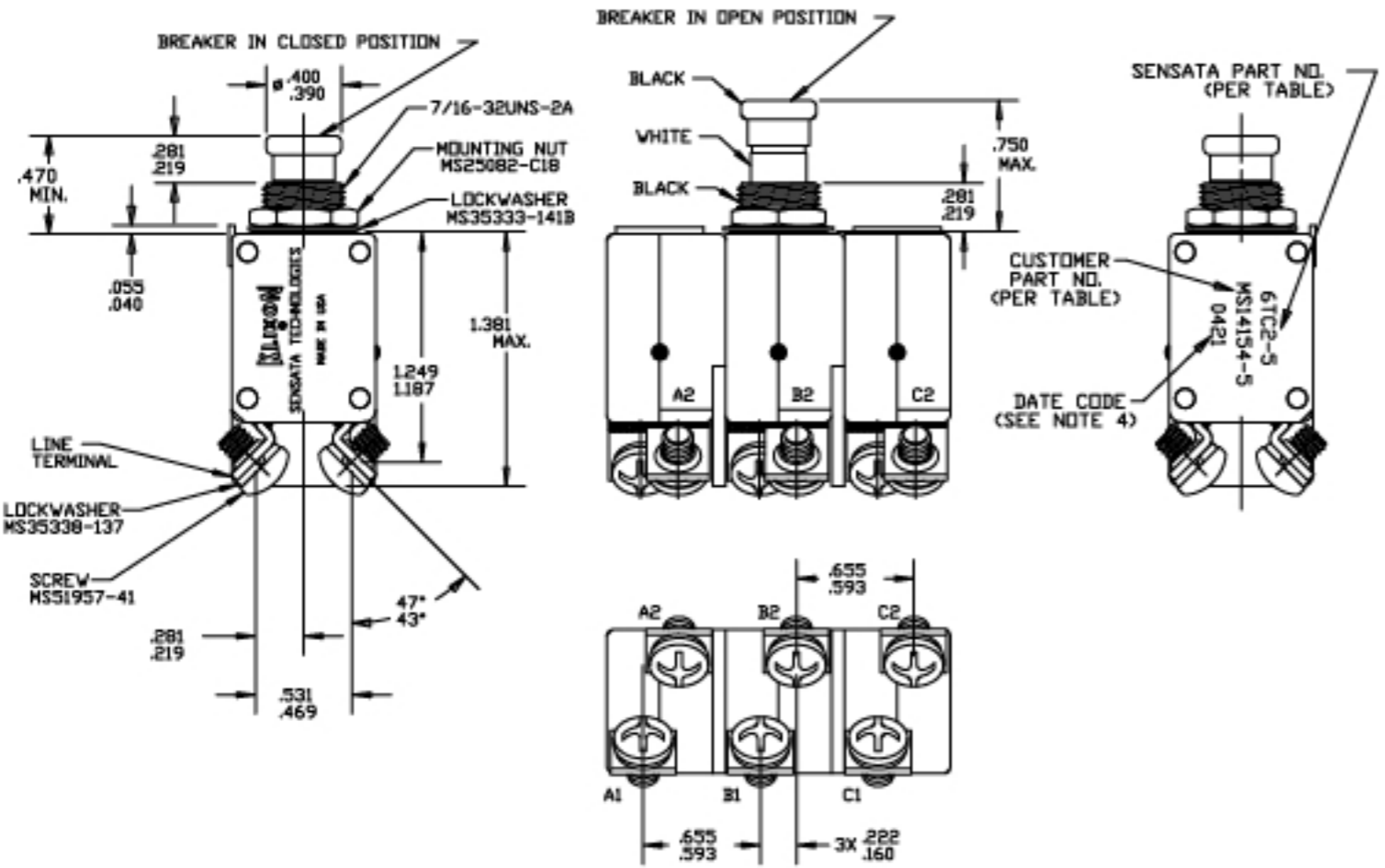
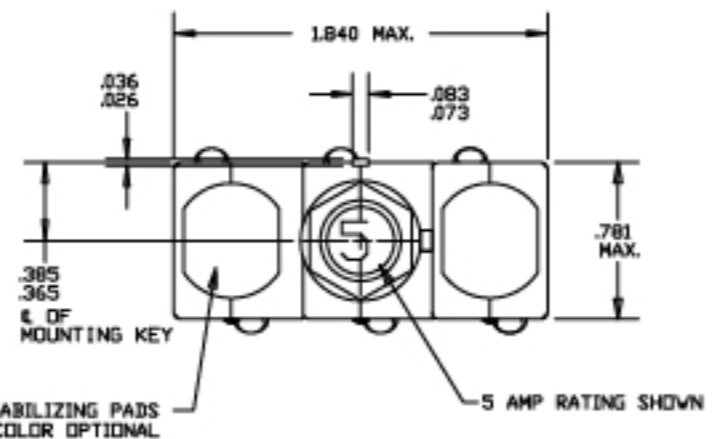


Property of
Sensata Technologies

ZONE	REV.	REVISION DESCRIPTION	ECN NO.	DATE
C4	V	ADDED "COLOR OPTIONAL" TO STABILIZING PAD NOTE; PD	ECO-059808	02-NOV-2010



SENSATA PART NO.	CUSTOMER PART NO.
6TC2-25	N/A
6TC2-20	MS14154-20
6TC2-15	MS14154-15
6TC2-10	MS14154-10
6TC2-7 1/2	MS14154-7-1/2
6TC2-5	MS14154-5
6TC2-4	MS14154-4
6TC2-3	MS14154-3
6TC2-2 1/2	MS14154-2-1/2
6TC2-2	MS14154-2

PERFORMANCE CHARACTERISTICS

DETAIL PERFORMANCE PER AS58091-A1

OVERLOAD CYCLING	100 CYCLES AT 200% RATING
VIBRATION	10 G'S MINIMUM 50-500 HZ
MECHANICAL SHOCK	50 G'S
ACCELERATION	10 G'S
SAND AND DUST	12 HOURS
CORROSION	SALT SPRAY 50 HOURS
HUMIDITY	10 DAYS
EXPLOSION PROOF	WHILE INTERRUPTING RUPTURE CURRENTS

ENDURANCE:	120 VAC		400 HZ INDUCTIVE		2500 CYCLES	
	MECHANICAL		400 HZ RESISTIVE		5000 CYCLES	
SINGLE OR THREE PHASE CALIBRATION:	2 AMP THRU 25 AMP					
		MIN. ULT. TRIP	MAX. ULT. TRIP	200%	500%	1000%
	+25°C, +77°F	110% RATING	145% RATING	4-20 SEC.	.40-2.0 SEC.	.10-.53 SEC.
	-55°C, -65°F	110% RATING	165% RATING	6-40 SEC.	.55-3.5 SEC.	.15-.80 SEC.
+71°C, +160°F	100% RATING	145% RATING	3-20 SEC.	.33-1.7 SEC.	.08-.40 SEC.	
RUPTURE:	2 AMP THRU 20 AMP		120 VAC, 400 HZ		2000 AMPS	
	25 AMP		120 VAC, 400 HZ		1600 AMPS	

MAXIMUM OPERATING FORCES

PULL OUT	12 LBS. MAX. (53.4 N)
RESET	12 LBS. MAX. (53.4 N)

OPERATING ALTITUDE: 70,000 FT. (21,000 M)

WEIGHT: 65.0 GRAMS MAX. (.143 LBS.)

VOLTAGE DROP:

2 AMP	0.70 VOLTS MAX.
2.5 AMP	0.50 VOLTS MAX.
3 AMP	0.40 VOLTS MAX.
4 AMP	0.37 VOLTS MAX.
5 AMP	0.35 VOLTS MAX.
7.5 AMP	.192 VOLTS MAX.
10 AMP	.176 VOLTS MAX.
12 AMP	.211 VOLTS MAX.
15 AMP	.176 VOLTS MAX.
20 AMP	.176 VOLTS MAX.
25 AMP	.176 VOLTS MAX.

* SINGLE PHASE MAXIMUM ULTIMATE TRIP VALUES APPLY WITH OTHER TWO PHASES CARRYING 100% OF RATED CURRENT

- NOTES:
1. EPOXY SURFACES ARE NON-DIMENSIONED, ENVELOPE DRAWING DIMENSIONS DO NOT APPLY TO THESE PROJECTED EPOXY SURFACES.
 2. TERMINAL AND MOUNTING HARDWARE MAY BE PACKAGED RATHER THAN INSTALLED.
 3. COUNTRY OF ORIGIN IS SHOWN FOR ILLUSTRATION PURPOSES ONLY. COUNTRY OF ORIGIN TO BE IDENTIFIED AS REQUIRED.
 4. DATE CODE PER 10580-285.
 5. ALL MARKINGS TO BE MADE IN APPROXIMATE POSITIONS SHOWN WITH BLACK INK PER 12506-70, 3/32 HIGH CHARACTERS.

FOR REFERENCE ONLY, CHECK LATEST REVISION BEFORE USE. PARTS MADE TO THIS PRINT MUST CONFORM TO E9898 REV. E		529 PLEASANT STREET P.O. BOX 2964 ATTLEBORO, MA 02703	
DRAWN C. FLEURANT DATE 04-APR-1994	SENSATA TECHNOLOGIES PROPRIETARY AND CONFIDENTIAL. NEITHER THIS PRINT NOR THE INFORMATION CONTAINED HEREON IS TO BE USED AGAINST THE INTERESTS OF SENSATA TECHNOLOGIES OR AGAINST THE INTERESTS OF ANY OF ITS AFFILIATED COMPANIES OR INDIVIDUALLY OWNED SUBSIDIARIES.	TITLE PART NO: 6TC2 AMBIENT COMPENSATED CIRCUIT BREAKER PUSH-PULL, TRIP FREE ENVELOPE DRAWING	
ENGINEER J. FOWLER DATE 04-APR-1994	INTERPRET DIMENSIONING AND TOLERANCING PER ASME Y14.5-2009 UNLESS OTHERWISE SPECIFIED DIMENSIONS ARE IN INCHES.	SIZE C	REV. V
APPROVED	DECIMALS ANGLES	DWG NO. 6TC2	
DATE APPROVED	DO NOT SCALE DRAWING	SCALE 4:1	AUTOCAD SHEET 1 OF 1
DATE	THIRD ANGLE PROJECTION	DEVICE:	PROJECT: 1