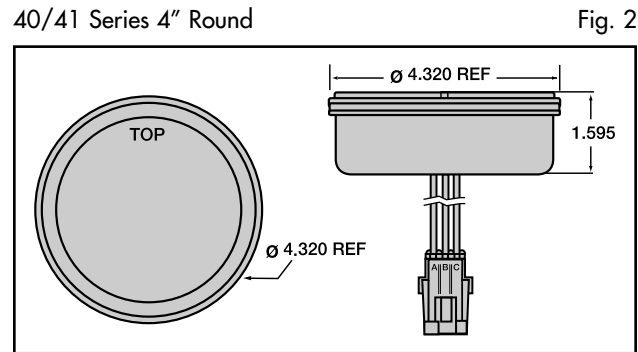
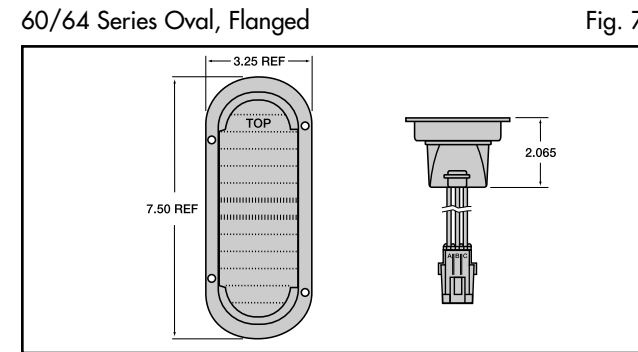


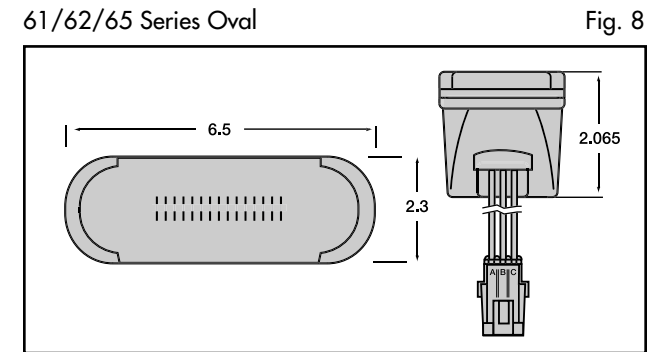
18 Series Fig. 1  
Auxiliary side turn  
Surface Mount  
Branch deflector available



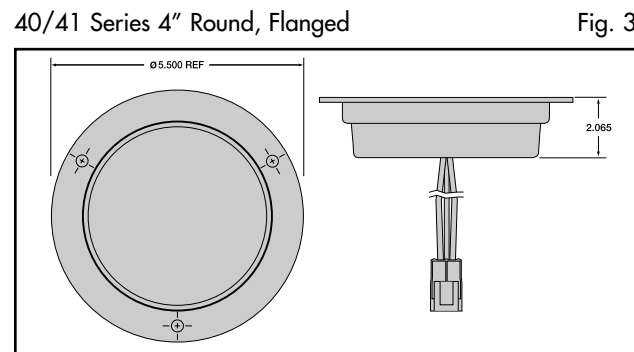
40/41 Series 4" Round Fig. 2  
Grommet Mount  
Fits industry standard grommets  
Available in 12V and 24V



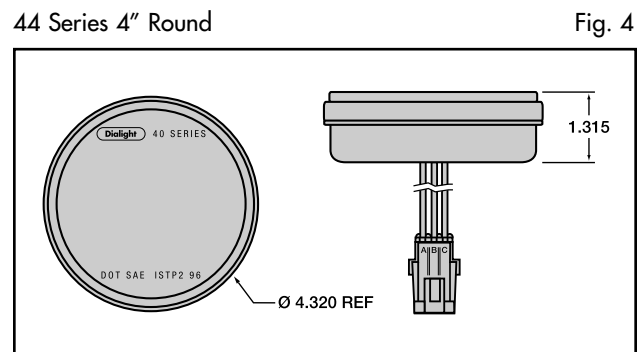
60/64 Series Oval, Flanged Fig. 7  
Vertical Flange Mount  
Mounts in industry standard hole size  
Available in black or white flange  
Available in 12V and 24V



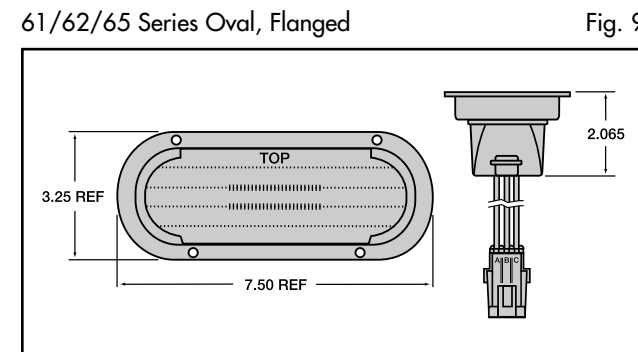
61/62/65 Series Oval Fig. 8  
Horizontal Grommet Mount  
Fits industry standard grommets  
CHMSL is a 2 wire system  
Available in 12V and 24V



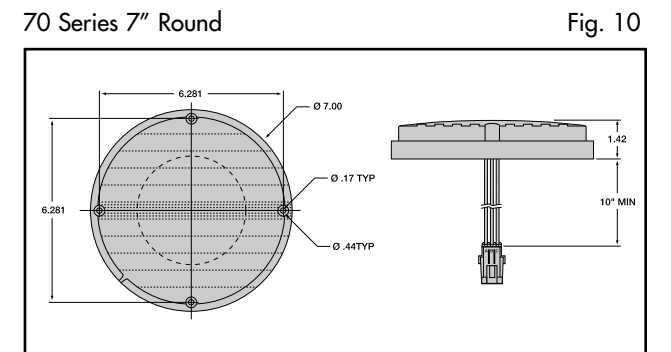
40/41 Series 4" Round, Flanged Fig. 3  
Flange Mount  
Mounts in industry standard hole size  
Available in black or white flange  
Available in 12V and 24V



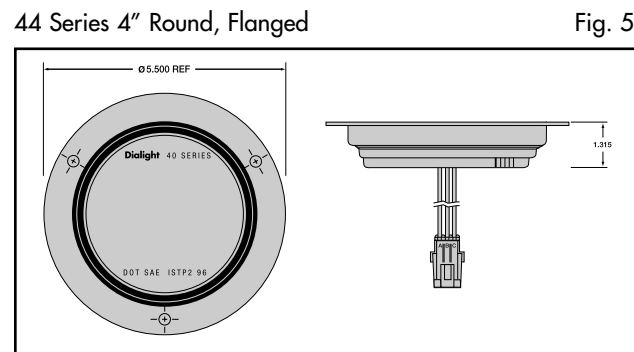
44 Series 4" Round Fig. 4  
Grommet Mount  
Fits industry standard grommets  
Unique potted design  
Available in 12V and 24V



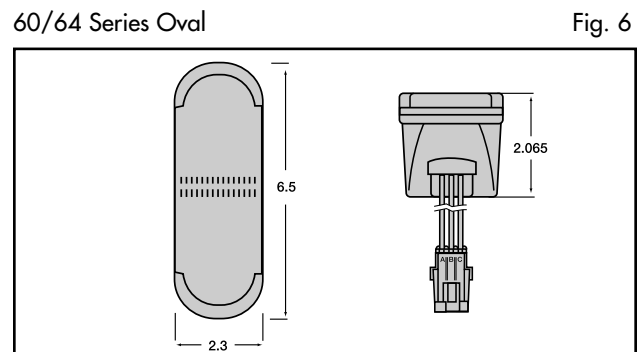
61/62/65 Series Oval, Flanged Fig. 9  
Horizontal Flange Mount  
Mounts in industry standard hole size  
Available in black or white flange  
CHMSL is a 2 wire system.  
Available in 12V and 24V



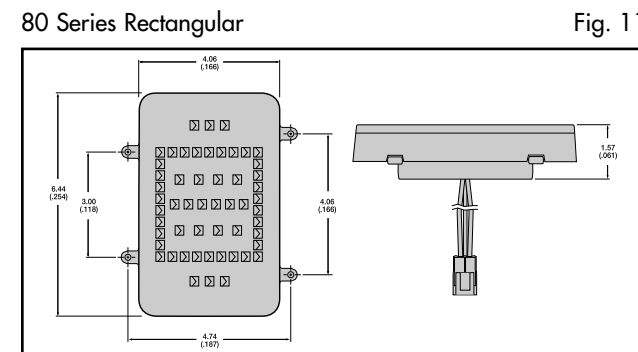
70 Series 7" Round Fig. 10  
Largest LED lamp available  
Enhance conspicuity  
Unique potted design  
Available in 12V and 24V



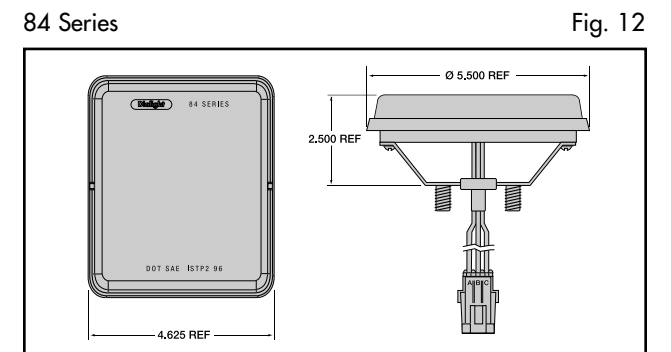
44 Series 4" Round, Flanged Fig. 5  
Mounts in industry standard hole size  
Available in black or white flange  
Unique potted design  
Available in 12V and 24V



60/64 Series Oval Fig. 6  
Vertical Grommet Mount  
Fits industry standard grommets  
Available in 12V and 24V



80 Series Rectangular Fig. 11  
4" x 7" Rectangular  
Available in 12V and 24V  
Front Turn Signal Available in 12V only



84 Series Fig. 12  
Replaces Hella 65xxx Series  
Unique potted design  
Vertical or horizontal mount  
Available in 12V only

**Features:**

- Meets FMVSS 108
- Specially designed for bus applications
- 9" integral 18 AWG wire leads with connectors
- Available in alternative terminations
- Long life
- Reduced current draw
- Voltage regulated versions designed to operate as low as 3 Volts; meets FMVSS108 from 7V to 16V range
- Standard termination is Packard Weather-Pack
- LEDs provide nearly instant on, faster illumination than incandescent
- Faster signal to trailing vehicle in stop/turn function

# SIGNAL LAMPS FOR BUS APPLICATIONS

Part No.	Description	Grommet	White Flange Mount	Black Flange Mount	Regulator	Hard Coated	Figure
<b>STOP/TAIL/TURN (RED) (3 WAY PACKARD® CONNECTORS)</b>							
40001RB	4 Inch Round	x			x		2
40031RB	4 Inch Round		x		x		3
40131RB	4 Inch Round	x			x	x	2
40133RB	4 Inch Round, 24V	x			x	x	2
44001RB	4 Inch Round, Potted Design	x			x		4
44003RB	4 Inch Round, Potted Design, 24V	x			x		4
44121RB	4 Inch Round, Potted Design	x			x	x	4
44123RB	4 Inch Round, Potted Design, 24V	x			x	x	4
44221RB	4 Inch Round, Potted Design		x		x	x	5
60001RB	2 x 6 Oval Vertical Mount	x			x		6
60031RB	2 x 6 Oval Vertical Mount		x		x		7
60081RB	2 x 6 Oval Vertical Mount			x	x		7
60131RB	2 x 6 Oval Vertical Mount	x			x	x	6
61001RB	2 x 6 Oval Horizontal Mount	x			x		8
61081RB	2 x 6 Oval Horizontal Mount			x	x		9
61131RB	2 x 6 Oval Horizontal Mount	x			x	x	8
70001RB	7 Inch Round				x		10
70131RB	7 Inch Round				x	x	10
70133RB	7 Inch Round, 24V				x	x	10
80001RB	4 x 7 Rectangular				x		11
80131RB	4 x 7 Rectangular				x	x	11
80133RB	4 x 7 Rectangular, 24V				x	x	11
84121RB	4 x 5 Rectangular, Potted Design					x	12
<b>CENTER HIGH MOUNTED STOP LAMP (CHMSL) (2 WAY PACKARD® CONNECTORS)</b>							
62001RB	2 x 6 Oval Horizontal Mount	x			x		8
62031RB	2 x 6 Oval Horizontal Mount		x		x		9
62131RB	2 x 6 Oval Horizontal Mount	x			x	x	8
62133RB	2 x 6 Oval Horizontal Mount, 24V	x			x	x	8
<b>REAR TURN (AMBER) (2 WAY PACKARD® CONNECTORS)</b>							
41001AB	4 Inch Round	x					2
41031AB	4 Inch Round		x				3
41131AB	4 Inch Round	x				x	2
41133AB	4 Inch Round, 24V	x				x	2
64131AB	2 x 6 Oval Vertical Mount	x				x	6
64231AB	2 x 6 Oval Vertical Mount		x			x	7
65131AB	2 x 6 Oval Horizontal Mount	x				x	8
65231AB	2 x 6 Oval Horizontal Mount		x			x	9
70001AB	7 Inch Round				x		10
70131AB	7 Inch Round				x	x	10
70133AB	7 Inch Round, 24V				x	x	10
80001AB	4 x 7 Rectangular				x		11
80131AB	4 x 7 Rectangular				x	x	11
80133AB	4 x 7 Rectangular, 24V				x	x	11
84121AB	4 x 5 Rectangular, Potted Design					x	12
<b>FRONT TURN SIGNAL (AMBER) (2 WAY PACKARD® CONNECTORS)</b>							
81001AB	4 x 7 Rectangular				x		11
81131AB	4 x 7 Rectangular				x	x	11
<b>AUXILIARY SIDE TURN LAMPS (AMBER)</b>							
18001AB804	Rectangular, 2 Wire, Side Turn						1
18001AB811	Rectangular, 3 Wire, Side Marker/Turn						1

\*12 volts, unless otherwise specified. Include integral wiring with Packard® Connectors

## ACCESSORIES

Part No.	Description
91802A	18 Series Aluminum Armor Guard
94001A	40/41/44 Series Mounting Grommet
94012B	3 Position Packard Connector Kit, Male Connector, Female Terminals
94012C	3 Position Packard Connector Kit, Female Connector, Male Terminals
94511B	2 Position Packard Connector Kit, Male Connector, Female Terminals
94511C	2 Position Packard Connector Kit, Female Connector, Male Terminals
96001A	60/61/62/64/65 Series Mounting Grommet

Dialight Corporation • 1501 Route 34 South • Farmingdale, NJ 07727 • Tel. (732) 919-3119 • Fax (732) 751-5778

www.dialight.com