

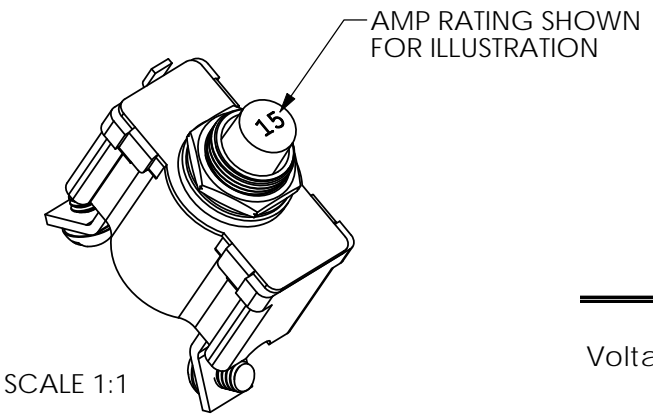
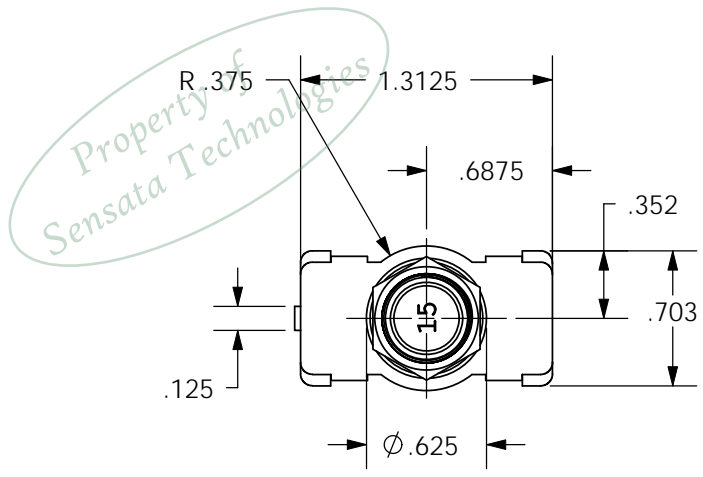
4

3

2

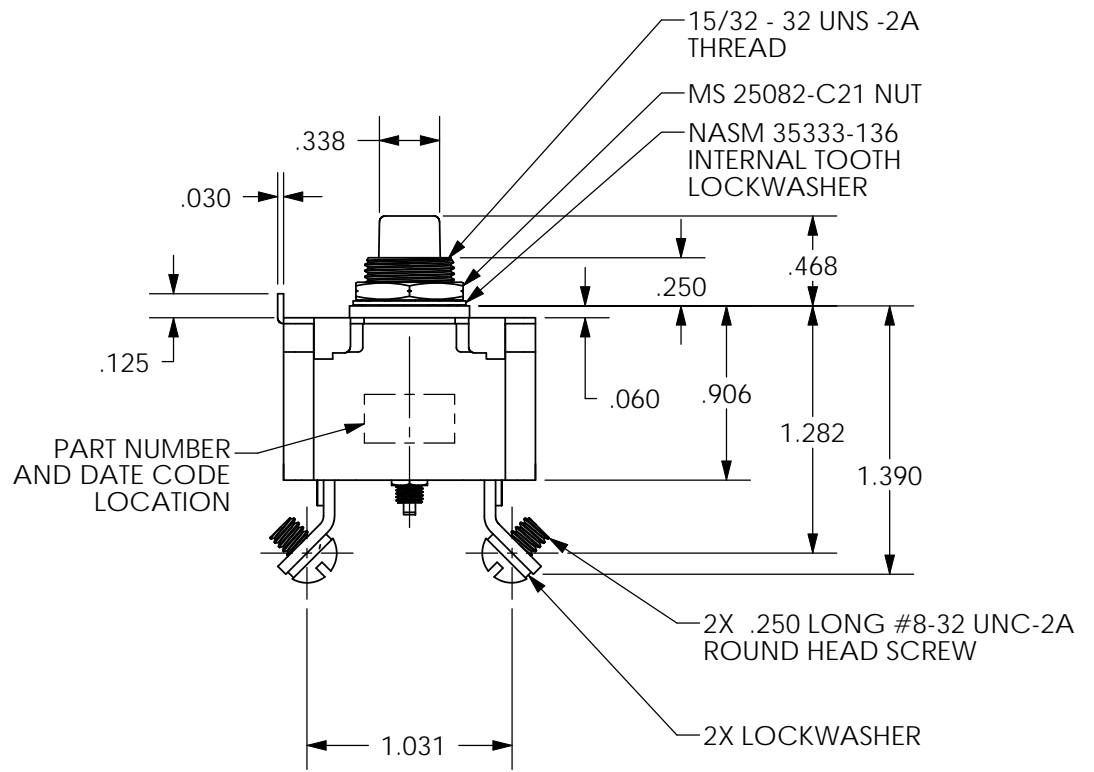
1

ZONE	REV.	REVISION DESCRIPTION	ECN NO.	DATE
	B	RE-DOCUMENTED IN SOLIDWORKS SEE REVISION ADDENDUM; PD	ECN0043090	03-JUL-2008

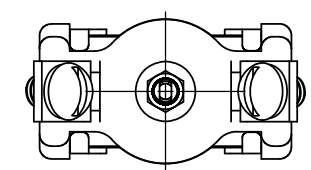


Performance Characteristics

Voltage Rating	30VDC
200% Overload	
2-10 amps	20 -150 seconds
12 1/2 -35 amps	8-50 seconds
Ultimate Trip % at 77° F rated current	
Minimum	100%
Maximum	138%
Interrupt Capacity	600 AMPS, tested per SAE J553
Endurance	500 cycles at 200%
Dielectric Strength	1500 VAC minimum - MIL-STD-202 Method 301
Insulation Resistance	100 MΩ minimum - MIL-STD-202 Method 302 Condition B
Vibration Resistance	10G MIL-STD-202 Method 204 Condition A
Mechanical Shock Resistance	100G MIL-STD-202 Method 213 Condition C
Weight:	35 grams max.
UL Listed	E 36869



7221-5-30-N	30
7221-5-20-N	20
PART NO.	AMP RATING



FOR REFERENCE ONLY, CHECK LATEST REVISION BEFORE USE. PARTS MADE TO THIS PRINT MUST CONFORM TO E9898 REV. E.		529 PLEASANT STREET P.O. BOX 2964 ATTLEBORO, MA 02703	
DRAWN G.LAPATI DATE 08-AUG-2008	SENSATA TECHNOLOGIES PROPRIETARY AND CONFIDENTIAL. NEITHER THIS PRINT NOR THE INFORMATION CONTAINED HEREON IS TO BE USED AGAINST THE INTERESTS OF SENSATA TECHNOLOGIES OR AGAINST THE INTERESTS OF ANY OF ITS AFFILIATED COMPANIES OR WHOLLY OWNED SUBSIDIARIES.	TITLE MANUAL RESET NECK MOUNT CIRCUIT BREAKER HIGH AMP	
ENGINEER S.BRYANT DATE 08-AUG-2008	UNLESS OTHERWISE SPECIFIED DIMENSIONS ARE IN INCHES TOLERANCES DECIMALS ANGLES X.XXX ± 0.031	SIZE B	DWG NO. 7221-5-NSH2
APPROVED P.FOLEY DATE 08-AUG-2008	DO NOT SCALE DRAWING	THIRD ANGLE PROJECTION	REV. B
APPROVED C.PELLON DATE 08-AUG-2008	SCALE 1:1	SOLIDWORKS	SHEET 1 OF 1

4

3

2

1

DEVICE: PROJECT: