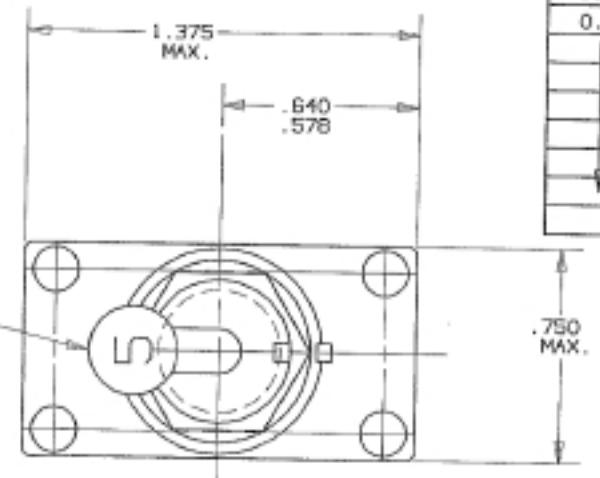


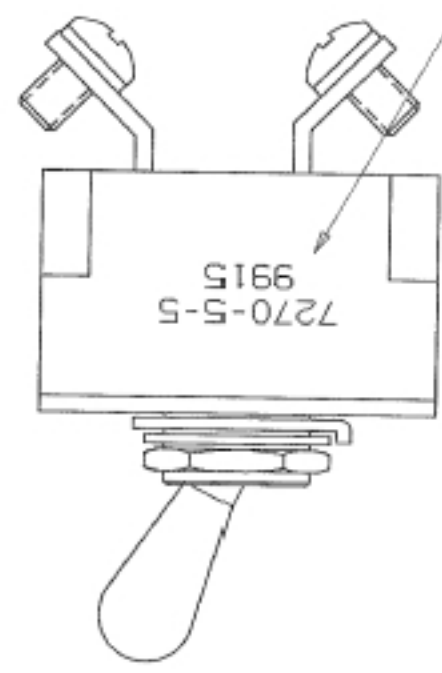
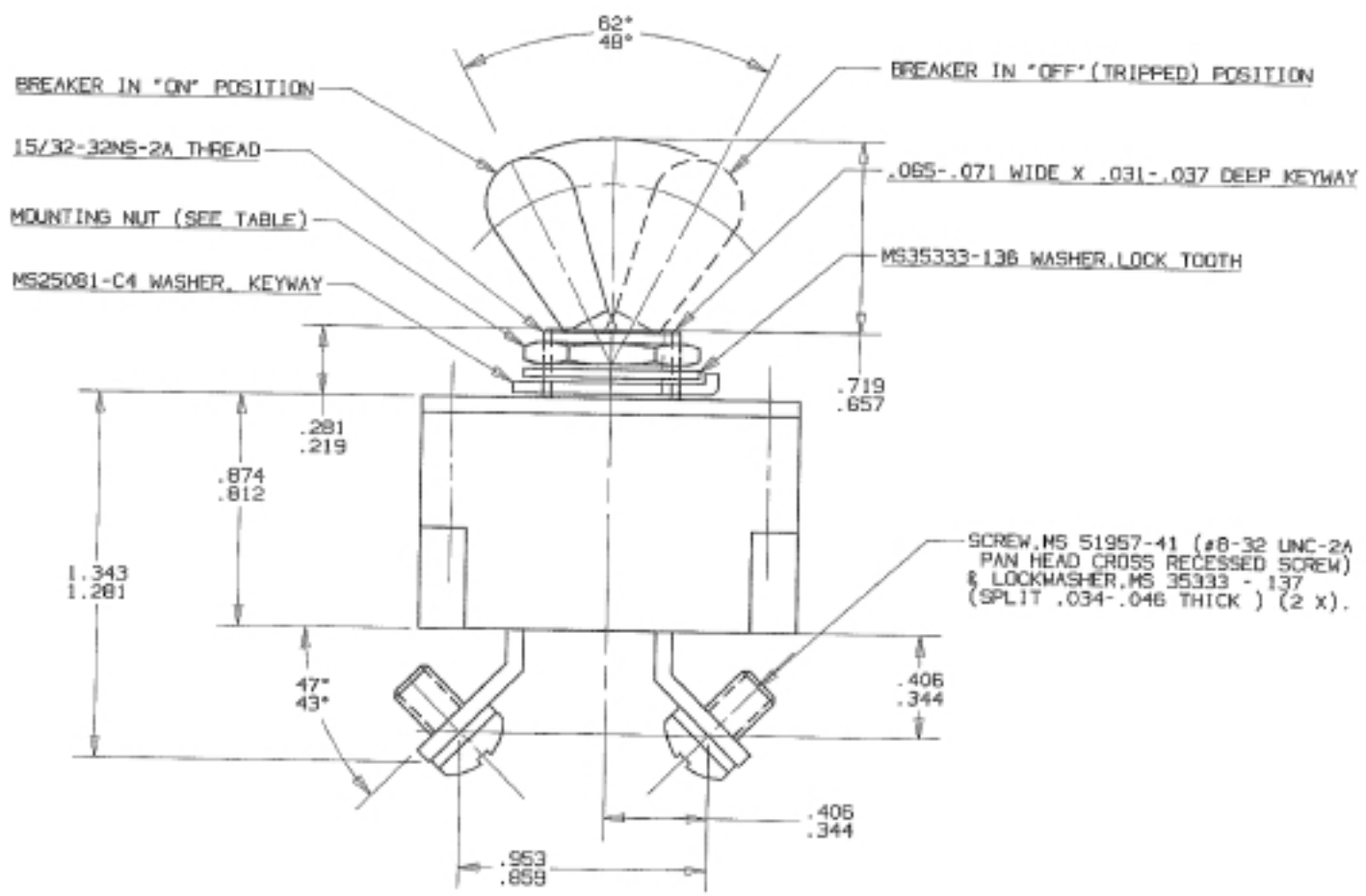
Property of
Sensata Technologies

MAXIMUM VOLTAGE DROP	RATED CURRENT			MOUNTING NUT	PART NO.	AMP. RATING
	200	400	500			
0.75	40-120	3-26	1-12	TIN PLATED BRASS	7270-5- 3	3
0.65	40-100	3-22	1-10	TIN PLATED BRASS	7270-5- 5	5
0.50	10-70	.75-7.0	.25-2.5	TIN PLATED BRASS	7270-5- 7 1/2	7 1/2
				TIN PLATED BRASS	7270-5-10	10
				TIN PLATED BRASS	7270-5-15	15
				TIN PLATED BRASS	7270-5-20	20
				TIN PLATED BRASS	7270-5-25	25
				TIN PLATED BRASS	7270-5-30	30
				TIN PLATED BRASS	7270-5-35	35

ZONE		LTR		7270-5		REVISIONS		PROJ. 43B	DATE	APPROVED
						DESCRIPTION				
N						MOVED CODE STAMP TO FAR SIDE	CRN51147	JRB	6-13-00	S.J.B.



AMPERE RATING
(7270-5-5 SHOWN)



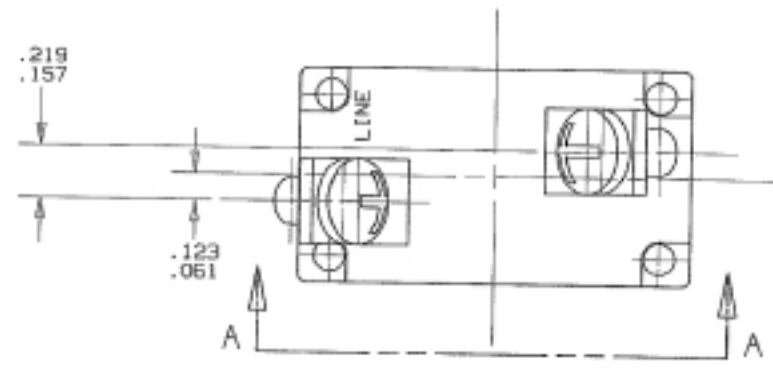
CODE PART NO.
& MS PART NO.
PER TABLE ABOVE.
DATE CODE PER
10588-285

PERFORMANCE CHARACTERISTICS
(DETAIL PERFORMANCE PER MIL-C-5809)

- OVERLOAD CYCLING-----100 CYCLES AT 200% RATING
- SINUSOIDAL VIBRATION-----10 G'S 50-500 HZ
- MECHANICAL SHOCK-----30 G'S AT 11.0 MILLISECOND DURATION
- ACCELERATION-----10 G'S MINIMUM
- SAND & DUST-----12 HOURS
- CORROSION-----SALT SPRAY 48 HOURS
- HUMIDITY-----10 DAYS
- EXPLOSION PROOF-----WHILE INTERRUPTING RUPTURE CURRENTS
- MAXIMUM OPERATING ALTITUDE: 70,000 FT.
- WEIGHT: 39.0 GRAMS MAX.
- MAXIMUM OPERATING FORCES:
 - PULL OUT-----6 LBS. MAX.
 - RESET-----6 LBS. MAX.
- CURRENT INTERRUPTION CAPACITY: 4,000 A @ 30 VDC, 3,500 A @ 120 VAC, 400HZ.
- ENDURANCE:
 - 120 VAC-----400 HZ INDUCTIVE -----5000 CYCLES
 - 120 VAC-----400 HZ RESISTIVE -----5000 CYCLES
 - 30 VDC-----INDUCTIVE -----200 CYCLES
 - 30 VDC-----RESISTIVE -----5000 CYCLES
 - NO LOAD-----MECHANICAL -----10000 CYCLES
- CALIBRATION:

AMBIENT TEMP.	HOLD	TRIP
+25°C	115% RATING	145% RATING
-40°C	138% RATING	175% RATING
-71°C	80% RATING	125% RATING

VIEW A-A



NOTES:
1. EPOXY SURFACES ARE NON-DIMENSIONED, ENVELOPE DRAWING DIMENSIONS DO NOT APPLY TO THESE PROJECTED EPOXY SURFACES.

SUPERSEDES 7270-5 REV**M DATED 5-13-99

UNLESS OTHERWISE SPECIFIED DIMENSIONS ARE IN INCHES	DRAWN D. LARSEN	DATE 5-3-95	TEXAS INSTRUMENTS ATTLEBORO, MASSACHUSETTS 02703	KLIXON CONTROL PRODUCTS DIVISION
TOLERANCE ON FRACTIONS DECIMALS ANGLES	ENGINEER M. J. LAVADO	5-3-95		
	APPROVED H. HIRSBRUNNER	5-16-89	TITLE 7270-5 TYPE TRIP FREE SWITCH TYPE CIRCUIT BREAKER ENVELOPE DRAWING	
	APPROVED PETER G. BERG	5-3-95		
MATERIAL			SIZE C	CODE IDENT NO. 82647
	SIGNATURES ON FILE. REFER TO ELECTRONIC CHANGE NOTICE.		SCALE: 2X	7270-5

SHEET 1 OF 1