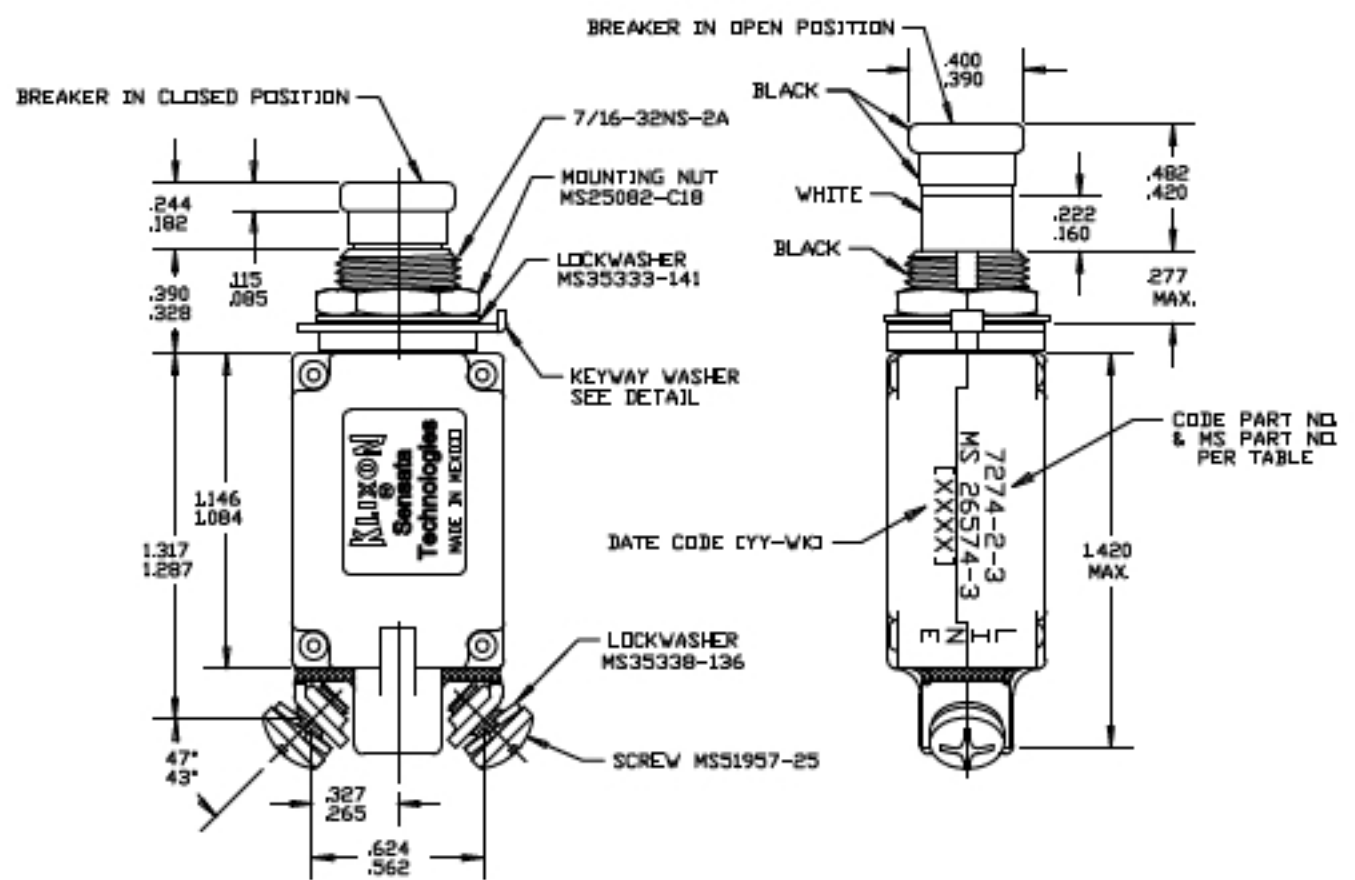
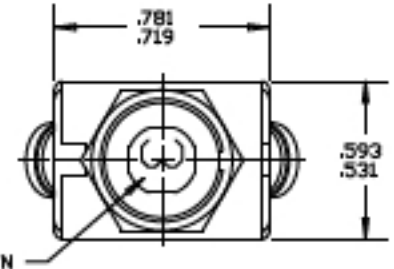
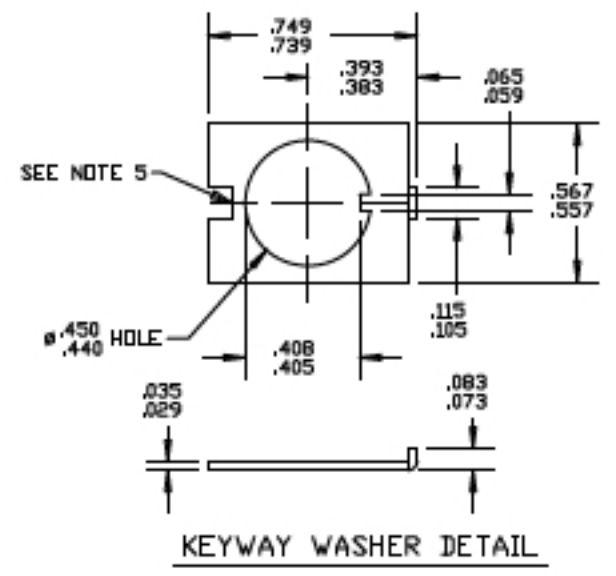


Property of
Sensata Technologies

ZONE	REV.	REVISION DESCRIPTION	ECN NO.	DATE
A2	AN	ADDED 7274-2-25 PART NO. 7274-2-15, CURRENT INTERRUPTING CAPACITY FOR 28 VDC WAS *2000 AMPS; GML	ECO-058939	04-NOV-2010



PERFORMANCE CHARACTERISTICS (DETAIL PERFORMANCE PER MIL-C-5809)

OVERLOAD CYCLING ----- 100 CYCLES AT 200% RATING
 SINUSOIDAL VIBRATION ----- 10 G'S 50-500 HZ
 MECHANICAL SHOCK ----- 30 G'S AT 11.0 MILLI(SECOND DURATION)
 ACCELERATION ----- 10 G'S MINIMUM
 SAND AND DUST ----- 12 HOURS
 CORROSION ----- SALT SPRAY 48 HOURS
 HUMIDITY ----- 10 DAYS
 EXPLOSION PROOF ----- WHILE INTERRUPTING RUPTURE CURRENTS
 MOUNTING NUT TORQUE ----- 40 LB.-IN. MAX.
 MAXIMUM OPERATING ALTITUDE: 80,000 FT. (24,384 M)

WEIGHT: 28.0 GRAMS MAX.
 MAXIMUM OPERATING FORCES:
 PULL OUT ----- 5 LBS. MAX. (222 N)
 RESET ----- 5 LBS. MAX. (222 N)

ENDURANCE:
 120 VAC ----- 400 HZ INDUCTIVE ----- 2500 CYCLES
 120 VAC ----- 400 HZ RESISTIVE ----- 5000 CYCLES
 30 VDC ----- INDUCTIVE ----- 2500 CYCLES
 30 VDC ----- RESISTIVE ----- 5000 CYCLES
 NO LOAD ----- MECHANICAL ----- 5000 CYCLES

CALIBRATION

AMBIENT TEMP.	HOLD	TRIP	200%	500%	1000%
+25°C (+77°F)	115% RATING	150% RATING	2-20 SEC.	.16-1.2 SEC.	.046-0.8 SEC.
-55°C (-67°F)	135% RATING	180% RATING	-----	-----	-----
+71°C (+160°F)	90% RATING	130% RATING	-----	-----	-----

PART NO.	MS PART NO.	AMP RATING	MAXIMUM VOLTAGE DROP	CURRENT INTERRUPTING CAPACITY	
				120 VAC, 400 HZ	28 VDC
7274-2-1/2	MS 26574-1/2	1/2	2.00	UNLIMITED	UNLIMITED
7274-2-3/4	MS 26574-3/4	3/4	1.45	UNLIMITED	UNLIMITED
7274-2-1	MS 26574-1	1	1.10	UNLIMITED	UNLIMITED
7274-2-1 1/2	MS 26574-1-1/2	1 1/2	0.75	UNLIMITED	UNLIMITED
7274-2-2	MS 26574-2	2	0.75	800 AMPS	UNLIMITED
7274-2-2 1/2	MS 26574-2-1/2	2 1/2	0.70	800 AMPS	UNLIMITED
7274-2-3	MS 26574-3	3	0.55	800 AMPS	UNLIMITED
7274-2-3 1/2	MS 26574-3-1/2	3 1/2	0.50	800 AMPS	UNLIMITED
7274-2-4	MS 26574-4	4	0.45	800 AMPS	UNLIMITED
7274-2-5	MS 26574-5	5	0.35	800 AMPS	UNLIMITED
7274-2-7 1/2	MS 26574-7-1/2	7 1/2	0.30	500 AMPS	2000 AMPS
7274-2-10	MS 26574-10	10	0.28	500 AMPS	2000 AMPS
7274-2-15		15	0.25	500 AMPS	800 AMPS
7274-2-20		20	0.25	500 AMPS	800 AMPS
7274-2-25		25	0.25	500 AMPS	800 AMPS

- NOTES:
- ALL MOUNTING HARDWARE HAS A DULL BLACK FINISH.
 - CIRCUIT BREAKERS ARE SUITABLE FOR MOUNTING IN A 1/8" THICK PANEL OR LESS.
 - EPOXY SURFACES ARE NON-DIMENSIONED, ENVELOPE DIMENSIONS DO NOT APPLY TO THESE PROJECTED EPOXY SURFACES.
 - 1/2 THRU 10 AMP CIRCUIT BREAKERS ARE QUALIFIED TO MS 26574.
 - NON FUNCTIONAL NOTCH ON THE BACK OF THE KEYWAY WASHER IS OPTIONAL.
 - DATE CODE PER 10588-285.

FOR REFERENCE ONLY, CHECK LATEST REVISION BEFORE USE. PARTS MADE TO THIS PRINT MUST CONFORM TO E9896 REV. E

DRAWN: TOM DAIL
 DATE: 14-JAN-1991
 ENGINEER: K.B. GASSER
 DATE: 04-NOV-1992
 APPROVED: D.R. PETRIE
 DATE: 21-DEC-1994
 APPROVED:

SENSATA TECHNOLOGIES PROPRIETARY AND CONFIDENTIAL. WITHOUT THE WRITTEN PERMISSION CONTAINED HEREIN IS TO BE USED AGAINST THE INTERESTS OF ANY OF ITS AFFILIATED COMPANIES OR WHOLLY OWNED SUBSIDIARIES. UNLESS OTHERWISE SPECIFIED DIMENSIONS ARE IN INCHES TOLERANCES: DECIMALS ANGLES

529 PLEASANT STREET
 P.O. BOX 2984
 ATTLEBORO, MA 02703

7274-2 STYLE CIRCUIT BREAKER
 PUSH-PULL, TRIP FREE
 ENVELOPE DRAWING

SIZE: C
 DWG NO.: 7274-2
 REV.: AN

DO NOT SCALE DRAWING
 THIRD ANGLE PROJECTION

SCALE: 1:1
 AUTOCAD
 SHEET 1 OF 1