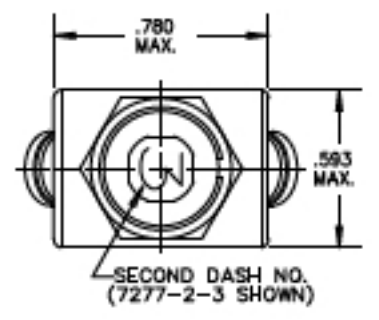
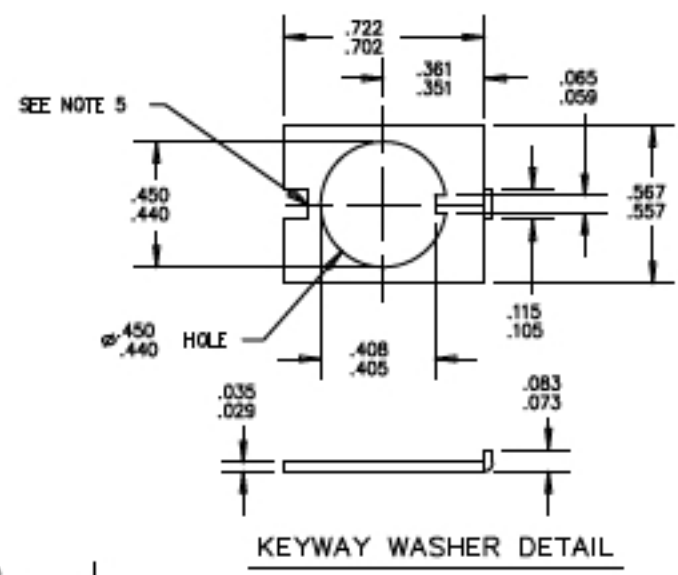


Property of  
Sensata Technologies

| ZONE | REV. | REVISION DESCRIPTION  | ECN NO.    | DATE        |
|------|------|---|------------|-------------|
| B2   | P    | ADDED 7277-2-25 PART NO.;<br>7277-2-15 & 7277-2-20, CURRENT INTERRUPTING CAPACITY FOR 28 VDC WAS "2000 AMPS";<br>CHANGED MAXIMUM VOLTAGE DROP FOR THE FOLLOWING: 7277-2-2 WAS 0.70, 7277-2-2 1/2 WAS 0.50, 7277-2-3 WAS 0.33, 7277-2-4 WAS 0.30, 7277-2-5 WAS 0.25, 7277-2-7 1/2 WAS 0.20, 7277-2-10, -2-15 & -2-20 WAS 0.15; | ECO-059939 | 04-NOV-2010 |
| C2   |      | REMOVED "1/2 AMP THRU 10 AMP" FROM "CALIBRATION:" GML   |            |             |



PERFORMANCE CHARACTERISTICS (DETAIL PERFORMANCE PER ML-C-5809)

- OVERLOAD CYCLING ----- 100 CYCLES AT 200% RATING
- VIBRATION ----- 10 G'S 50-500 HZ
- MECHANICAL SHOCK ----- 35 G'S AT 11.5 MILLISECOND DURATION
- ACCELERATION ----- 10 G'S MINIMUM
- SAND AND DUST ----- 12 HOURS
- CORROSION ----- SALT SPRAY 50 HOURS
- HUMIDITY ----- 10 DAYS
- EXPLOSION PROOF ----- WHILE INTERRUPTING RUPTURE CURRENTS

- ENDURANCE:
- 120 VAC ----- 400 HZ INDUCTIVE ----- 2500 CYCLES
  - RESISTIVE ----- 5000 CYCLES
  - 30 VDC ----- INDUCTIVE ----- 2500 CYCLES
  - RESISTIVE ----- 5000 CYCLES
  - MECHANICAL ----- 5000 CYCLES

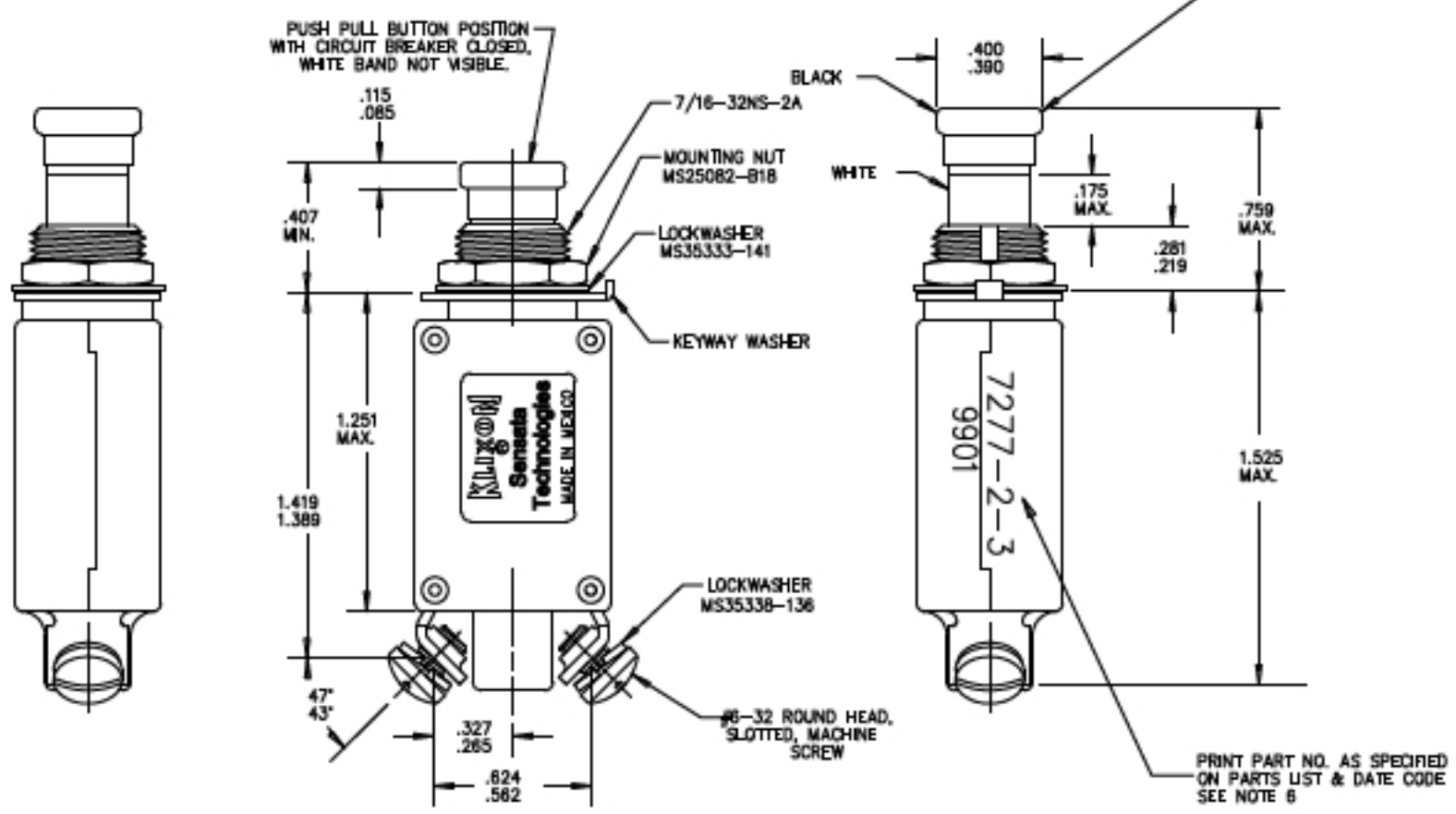
CALIBRATION:

| AMBIENT TEMP. | MIN.ULT.TRIP | MAX.ULT.TRIP | 200%      | 500%         | 1000%         |
|---------------|--------------|--------------|-----------|--------------|---------------|
| +25°C         | 110% RATING  | 150% RATING  | 2-35 SEC. | .15-1.7 SEC. | .028-.55 SEC. |

| PART NO.     | AMP RATING | MAXIMUM VOLTAGE DROP | CURRENT INTERRUPTING CAPACITY |           |
|--------------|------------|----------------------|-------------------------------|-----------|
|              |            |                      | 120 VAC, 400 HZ               | 28 VDC    |
| 7277-2-1/2   | 1/2        | 2.00                 | UNLIMITED                     | UNLIMITED |
| 7277-2-3/4   | 3/4        | 1.45                 | UNLIMITED                     | UNLIMITED |
| 7277-2-1     | 1          | 1.10                 | UNLIMITED                     | UNLIMITED |
| 7277-2-1 1/2 | 1 1/2      | 0.75                 | UNLIMITED                     | UNLIMITED |
| 7277-2-2     | 2          | 0.75                 | 800 AMPS                      | UNLIMITED |
| 7277-2-2 1/2 | 2 1/2      | 0.70                 | 800 AMPS                      | UNLIMITED |
| 7277-2-3     | 3          | 0.55                 | 800 AMPS                      | UNLIMITED |
| 7277-2-4     | 4          | 0.45                 | 800 AMPS                      | UNLIMITED |
| 7277-2-5     | 5          | 0.35                 | 800 AMPS                      | UNLIMITED |
| 7277-2-7 1/2 | 7 1/2      | 0.30                 | 500 AMPS                      | 2000 AMPS |
| 7277-2-10    | 10         | 0.28                 | 500 AMPS                      | 2000 AMPS |
| 7277-2-15    | 15         | 0.25                 | 500 AMPS                      | 800 AMPS  |
| 7277-2-20    | 20         | 0.25                 | 500 AMPS                      | 800 AMPS  |
| 7277-2-25    | 25         | 0.25                 | 500 AMPS                      | 800 AMPS  |

NOTES:

1. ALL MOUNTING HARDWARE HAS A DULL BLACK FINISH.
2. CIRCUIT BREAKERS ARE SUITABLE FOR MOUNTING IN A 1/8" THICK PANEL OR LESS.
3. WEIGHT ACTUAL: 25 GRAMS
4. EPOXY SURFACES ARE NON-DIMENSIONED. ENVELOPE DRAWING DIMENSIONS DO NOT APPLY TO THESE PROJECTED EPOXY SURFACES.
5. NON FUNCTIONAL NOTCH ON THE BACK OF THE KEYWAY WASHER IS OPTIONAL.
6. DATE CODE SPEC: 10588-285.



|  |   |   |                        |
|--|---|---|------------------------|
| FOR REFERENCE ONLY. CHECK LATEST REVISION BEFORE USE. PARTS MADE TO THIS PRINT MUST CONFORM TO F9896 REV. E  |   | 529 PLEASANT STREET<br>P.O. BOX 2964<br>ATTLEBORO, MA 02703               |                        |
| DRAWN<br>CHAS. FLEURANT<br>DATE 30-OCT-1991  | ENGINEER<br>K.B. GASSER<br>DATE 14-JAN-1992 | APPROVED<br>JON PETRIE<br>DATE 19-DEC-1994                                | DATE                   |
| SENSATA TECHNOLOGIES PROPRIETARY AND CONFIDENTIAL. NEITHER THIS PRINT NOR THE INFORMATION CONTAINED HEREIN IS TO BE USED AGAINST THE INTERESTS OF SENSATA TECHNOLOGIES OR AGAINST THE INTERESTS OF ANY OF ITS AFFILIATED COMPANIES OR WHOLLY OWNED SUBSIDIARIES. |   | TITLE<br>7277-2 TYPE PUSH-PULL TRIP FREE CIRCUIT BREAKER ENVELOPE DRAWING |                        |
| INTERPRET DIMENSIONING AND TOLERANCING PER ASME Y14.5-2006. UNLESS OTHERWISE SPECIFIED DIMENSIONS ARE IN INCHES.   |   | DO NOT SCALE DRAWING  | THIRD ANGLE PROJECTION |
| DECIMALS   | ANGLES                                      | SIZE<br>C   | DWG NO.<br>7277-2      |
| SCALE<br>1:1 AUTOCAD   |   | REV.<br>P   | SHEET 1 OF 1           |