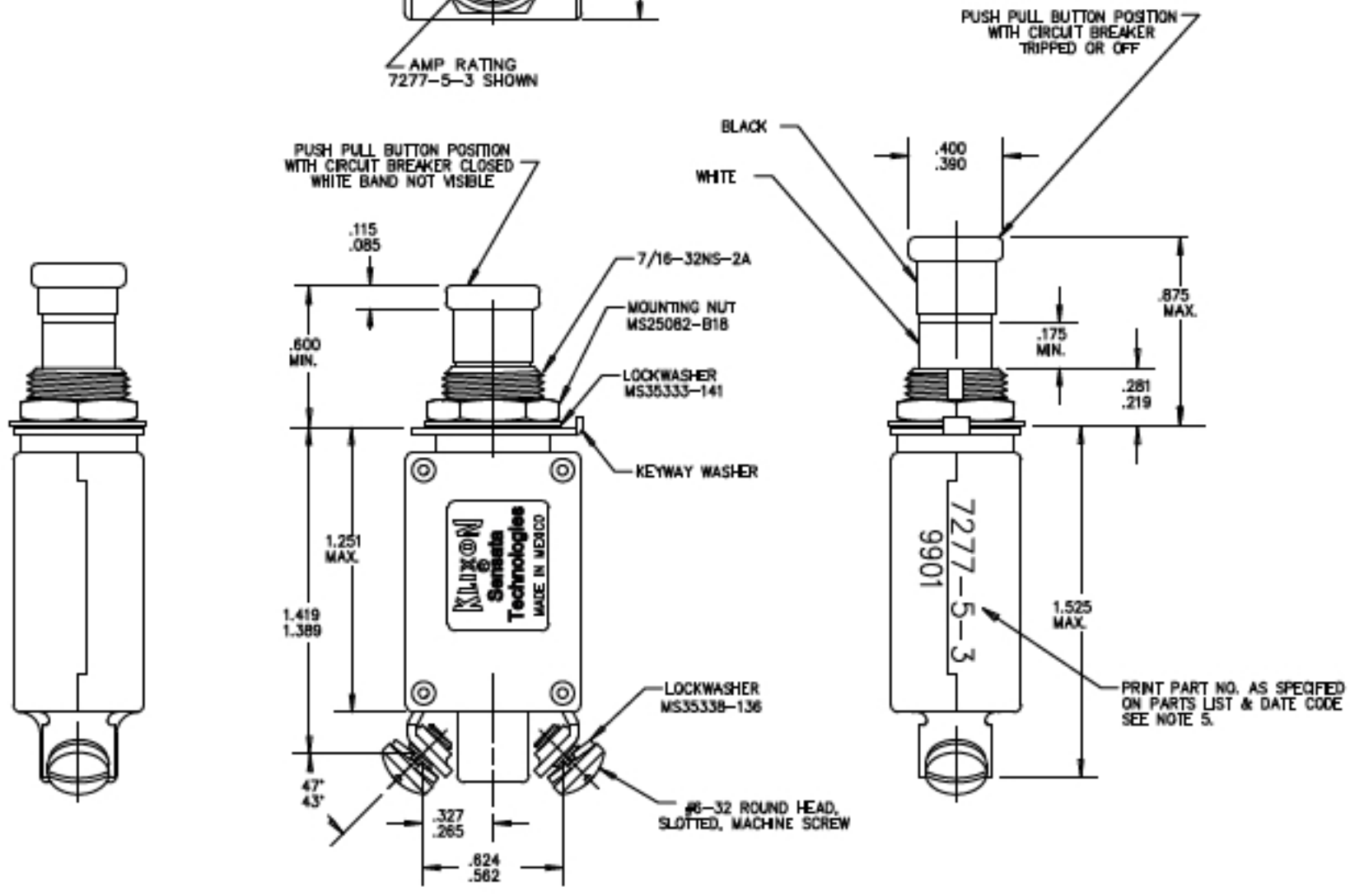
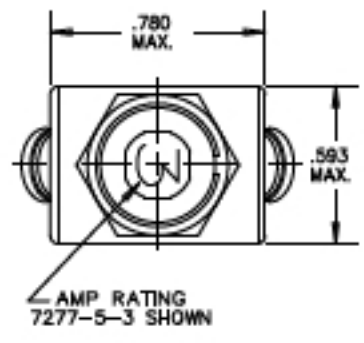
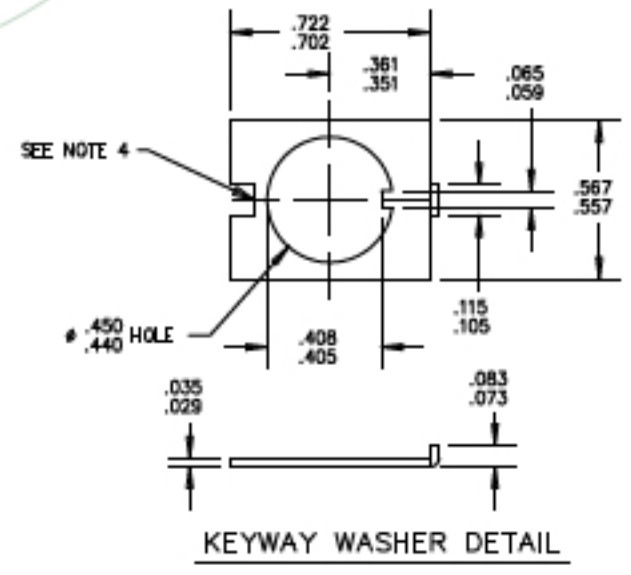


Property of
Sensata Technologies



ZONE	REV.	REVISION DESCRIPTION	ECN NO.	DATE
B2	N	ADDED 7277-5-25 PART NO.; 7277-5-15 & 7277-5-20, CURRENT INTERRUPTING CAPACITY FOR 28 VDC WAS "2000 AMPS"; CHANGED MAXIMUM VOLTAGE DROP FOR THE FOLLOWING: 7277-5-2 WAS 0.70, 7277-5-2 1/2 WAS 0.50, 7277-5-3 WAS 0.33, 7277-5-4 WAS 0.30, 7277-5-5 WAS 0.25, 7277-5-7 1/2 WAS 0.20, 7277-5-10, -5-15 & -5-20 WAS 0.15; REMOVED "1/2 AMP THRU 10 AMP" FROM "CALIBRATION:" GML	ECC-058939	04-MOV-2010
C2				

PERFORMANCE CHARACTERISTICS (DETAIL PERFORMANCE PER MIL-C-5809)

OVERLOAD CYCLING ----- 100 CYCLES AT 200% RATING
 VIBRATION ----- 10 G'S 50-500 HZ
 MECHANICAL SHOCK ----- 35 G'S AT 11.5 MILLISECOND DURATION
 ACCELERATION ----- 10 G'S MINIMUM
 SAND AND DUST ----- 12 HOURS
 CORROSION ----- SALT SPRAY 50 HOURS
 HUMIDITY ----- 10 DAYS
 EXPLOSION PROOF ----- WHILE INTERRUPTING RUPTURE CURRENTS

ENDURANCE:

120 VAC	400 HZ INDUCTIVE	2500 CYCLES
	RESISTIVE	5000 CYCLES
30 VDC	INDUCTIVE	2500 CYCLES
	RESISTIVE	5000 CYCLES
MECHANICAL		5000 CYCLES

CALIBRATION:

AMBIENT TEMP.	MIN.ULT.TRIP	MAX.ULT.TRIP	200%	500%	1000%
+25°C	110% RATING	150% RATING	2-35 SEC.	.15-1.7 SEC.	.028-.55 SEC.

PART NO.	AMP RATING	MAXIMUM VOLTAGE DROP	CURRENT INTERRUPTING CAPACITY	
			120 VAC, 400 HZ	28 VDC
7277-5-1/2	1/2	2.00	UNLIMITED	UNLIMITED
7277-5-3/4	3/4	1.45	UNLIMITED	UNLIMITED
7277-5-1	1	1.10	UNLIMITED	UNLIMITED
7277-5-1 1/2	1 1/2	0.75	UNLIMITED	UNLIMITED
7277-5-2	2	0.75	800 AMPS	UNLIMITED
7277-5-2 1/2	2 1/2	0.70	800 AMPS	UNLIMITED
7277-5-3	3	0.55	800 AMPS	UNLIMITED
7277-5-4	4	0.45	800 AMPS	UNLIMITED
7277-5-5	5	0.35	800 AMPS	UNLIMITED
7277-5-7 1/2	7 1/2	0.30	500 AMPS	2000 AMPS
7277-5-10	10	0.28	500 AMPS	2000 AMPS
7277-5-15	15	0.25	500 AMPS	800 AMPS
7277-5-20	20	0.25	500 AMPS	800 AMPS
7277-5-25	25	0.25	500 AMPS	800 AMPS

- NOTES:
- ALL MOUNTING HARDWARE HAS A DULL BLACK FINISH.
 - CIRCUIT BREAKERS ARE SUITABLE FOR MOUNTING IN A 1/8" THICK PANEL OR LESS.
 - EPOXY SURFACES ARE NON-DIMENSIONED. ENVELOPE DRAWING DIMENSIONS DO NOT APPLY TO THESE PROJECTED EPOXY SURFACES.
 - NON FUNCTIONAL NOTCH ON THE BACK OF THE KEYWAY WASHER IS OPTIONAL.
 - DATE CODE SPEC: 10588-285

FOR REFERENCE ONLY, CHECK LATEST REVISION BEFORE USE. PARTS MADE TO THIS PRINT MUST CONFORM TO E9898 REV. E		529 PLEASANT STREET P.O. BOX 2964 ATTLEBORO, MA 02703	
DRAWN CHAS. FLEURANT DATE 30-OCT-1991 ENGINEER K.B. GASSER DATE 09-MAR-1992 APPROVED D.R. PETRIE DATE 09-MAR-1992 APPROVED	SENSATA TECHNOLOGIES PROPRIETARY AND CONFIDENTIAL. NEITHER THIS PRINT NOR THE INFORMATION CONTAINED HEREIN IS TO BE USED AGAINST THE INTERESTS OF SENSATA TECHNOLOGIES OR ANY OF ITS AFFILIATED COMPANIES OR INDIVIDUALLY OWNED SUBSIDIARIES. INTERPRET DIMENSIONING AND TOLERANCING PER ASME Y14.5-2009, UNLESS OTHERWISE SPECIFIED. DIMENSIONS ARE IN INCHES. TOLERANCES DECIMALS ANGLES	TITLE 7277-5 TYPE PUSH-PULL TRIP FREE CIRCUIT BREAKER ENVELOPE DRAWING	
DATE	DO NOT SCALE DRAWING	THIRD ANGLE PROJECTION	SIZE C DWG NO. 7277-5 REV. N
			SCALE 1:1 AUTOCAD SHEET 1 OF 1