

TR Series Dual Pole 500A Master Disconnect Switch

Cuts all battery power from vehicle electrical systems with applications needing switching of two circuits, or both positive and negative.

- ▶ 500A continuous current rating for each of the two circuits (using 2 x 4/0 input and 2 x 4/0 output cables).
- ▶ Can be used to switch two vehicle voltage circuits simultaneously (24V and 12V).
- ▶ Disconnect a battery or multiple batteries, in either the positive or the negative line.

Ordering Information

Part No.	Description
880175	Master Disconnect Switch TR Dual

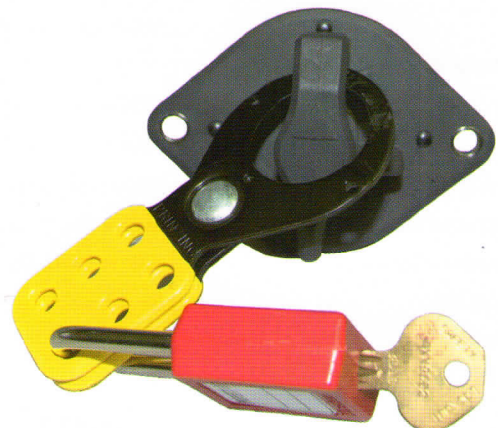


Features & Benefits

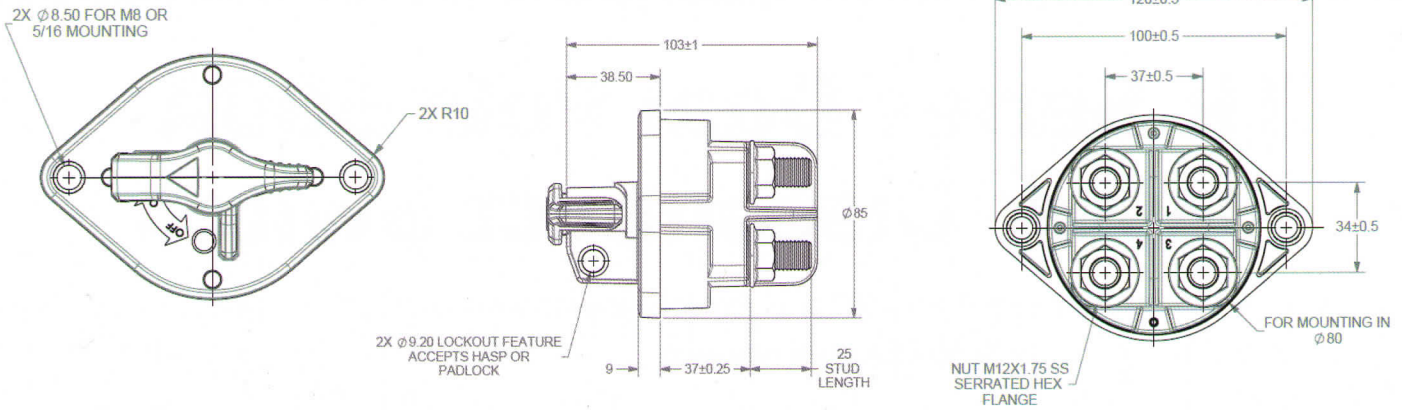
Ingress protection to IP67 and IP69K means that the switch can be mounted in exposed locations on the vehicle.

Drop-in replacement for competitive Master Disconnect Switches, with higher vibration and shock capabilities.

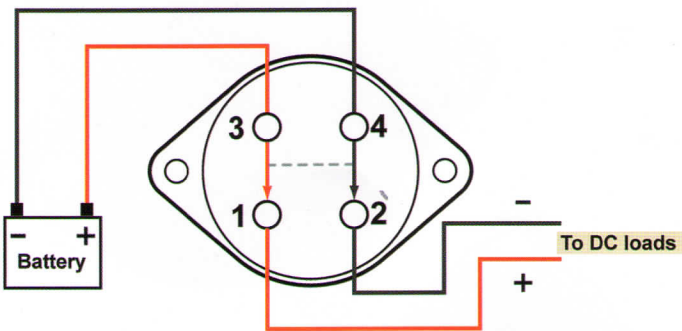
Direct lockout/tagout capability in On or Off position, with padlock or hasp.



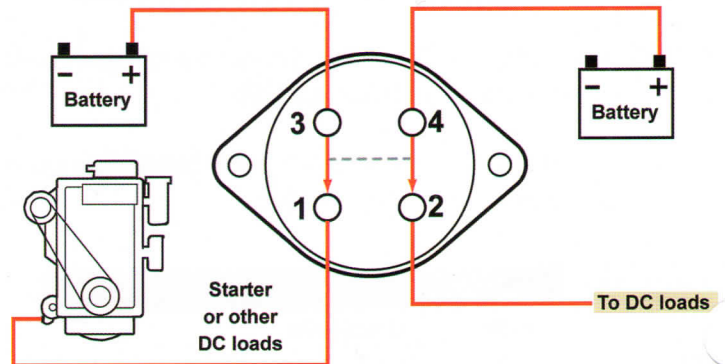
Dimensions



Configurations



**Master Battery Disconnect Dual Pole
Switching One Battery, Positive and Negative
(shown in ON state)**



**Master Battery Disconnect Dual Pole
Switching Two Batteries
(shown in ON state)**

Specifications

880175	
Max operating voltage	48V DC
Max continuous current	500A per circuit, with 2 x 4/0 input and 2 x 4/0 output cables 350A per circuit, with 1 x 4/0 input and 1 x 4/0 output cables
Cranking rating (30sec)	2250A per circuit, with 2 x 4/0 input and 2 x 4/0 output cables 1750A per circuit, with 1 x 4/0 input and 1 x 4/0 output cables
Inrush rating (1 sec)	3000A per circuit with 2 x 4/0 + 1 x 2 AWG
Terminal stud size	M12 x 25mm. Alternate sizes available. Contact Littelfuse
Temperature range	-50° to 85°C, DC-Rated to 105°C
Humidity	0 – 95% RH
Shock	30 G
Vibration	8 G
Ingress rating	IP67 & IP69K