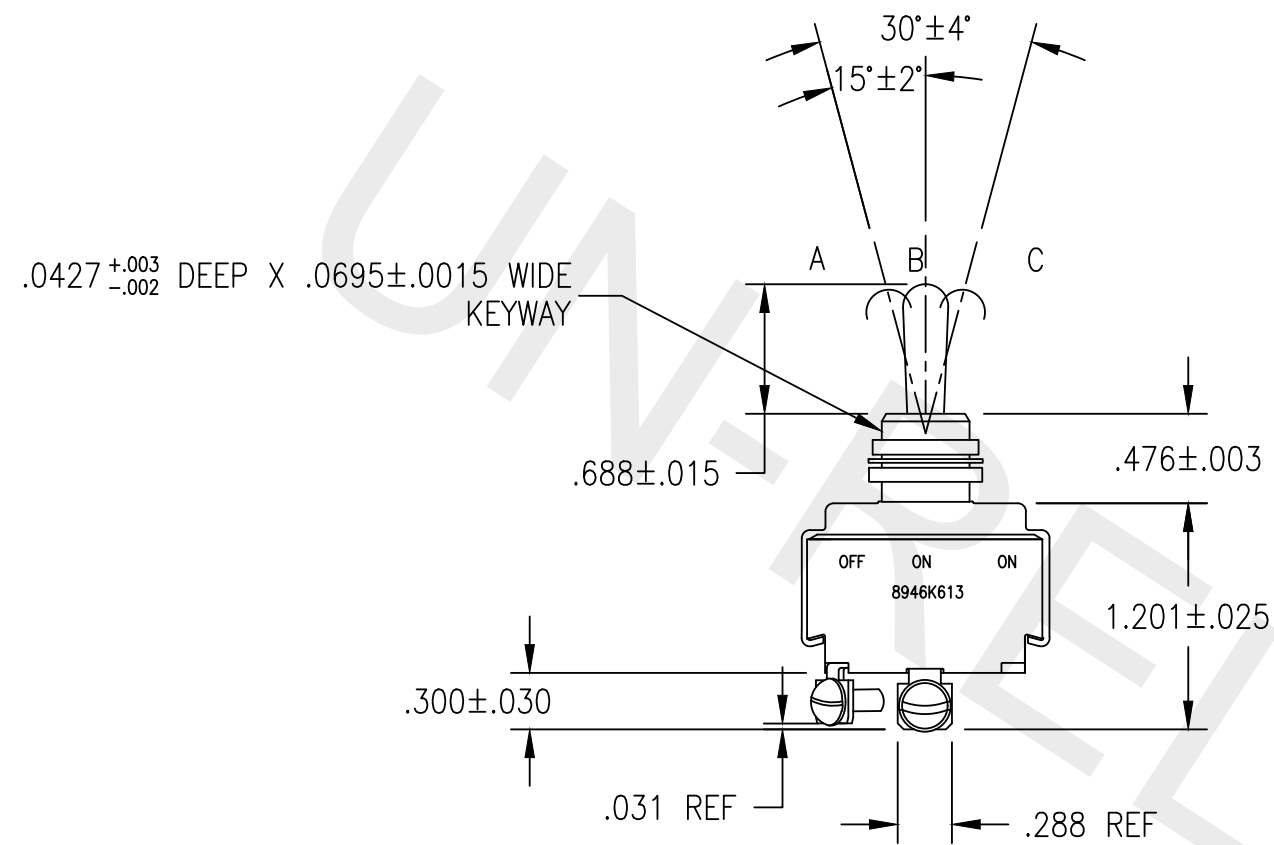


B | 90-30605 | REV. 01

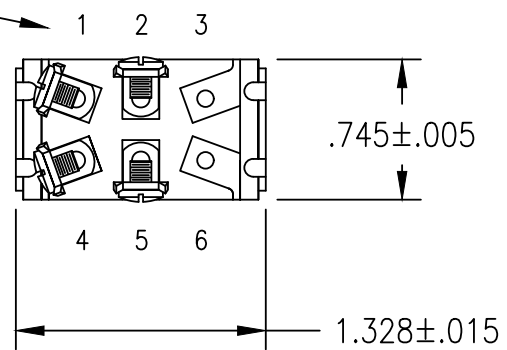


NOTES:

1. EATON CAT. NO. 8946K613.

CIRCUIT	
* DENOTES MOMENTARY	
LEVER POS A :	OFF
LEVER POS B :	4-5
LEVER POS *C :	4-5; 1-2

TERM. NO'S. FOR REF. ONLY



CRITICAL DIMENSION	PROCESS CONTROL DIMENSION	THIRD ANGLE PROJECTION
		ECN -151238
TITLE DIMS. FOR DP AC LEVER SWITCH		SPECS. WHERE USED 90-10076 AEROSPACE & COMMERCIAL CONTROLS DIVISION
RAW MAT. DESCR.	PART NO.	
DO NOT SCALE DRAWING		
DR. PRD	11-23-18	
CHK. EG	11-23-18	
APP. EG	11-23-18	
SCALE 1X	EATON CORPORATION CLAIMS PROPRIETARY RIGHTS OF THE INFORMATION DISCLOSED ON THIS DRAWING OR DOCUMENT. IT IS NOT TO BE REPRODUCED OR USED TO MANUFACTURE ANYTHING SHOWN HEREON WITHOUT THE WRITTEN PERMISSION OF EATON CORPORATION.	

DV. NO.									
01									

UNLESS OTHERWISE SPECIFIED DIM. ARE IN INCHES.
 1. TOLERANCES:
 .xx ±
 .xxx ±
 2. ANGULAR DIMENSIONS ±
 3. DRAFT ALLOWANCE
 BREAK ALL SHARP CORNERS
 REMOVE ALL BURRS
 REQUIREMENTS OF 50-2500 AND 50-1930 SHALL APPLY TO THIS DRAWING UNLESS OTHERWISE SPECIFIED.
 DIMENSIONS BEFORE COATING ARE SPECIFIED—ALLOWANCES HAVE BEEN MADE FOR COATINGS EXCEPT ON THREADS.