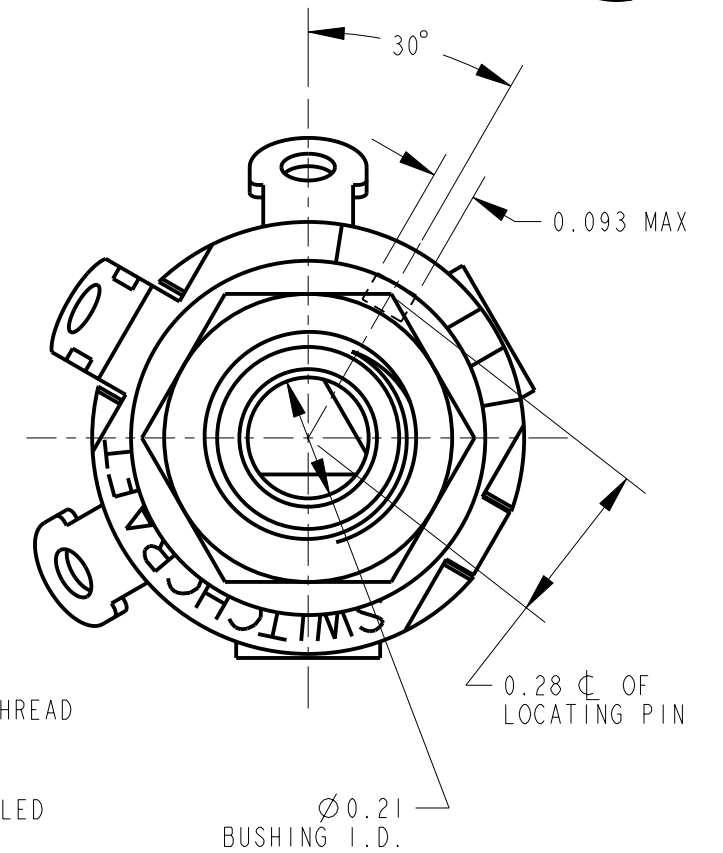
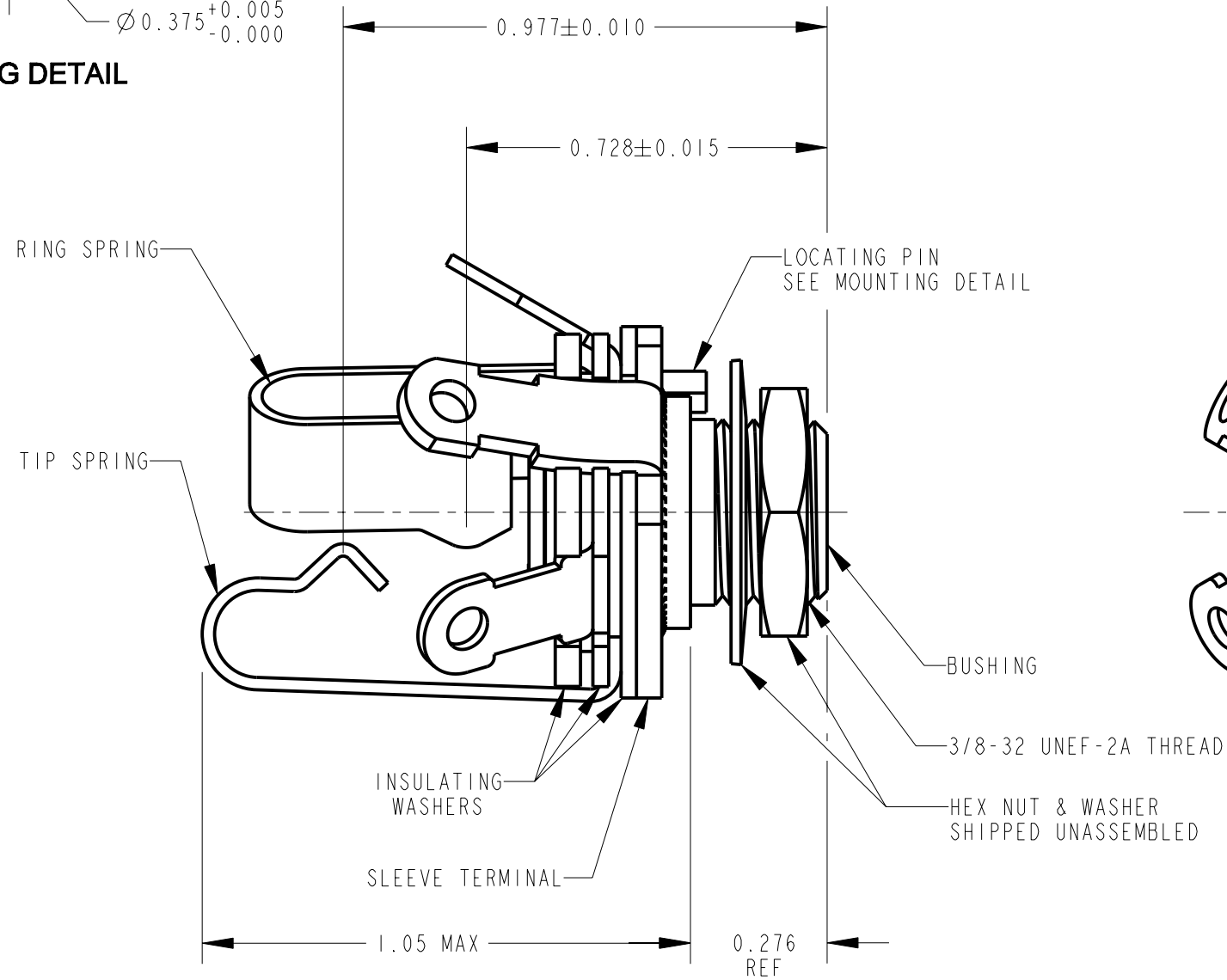
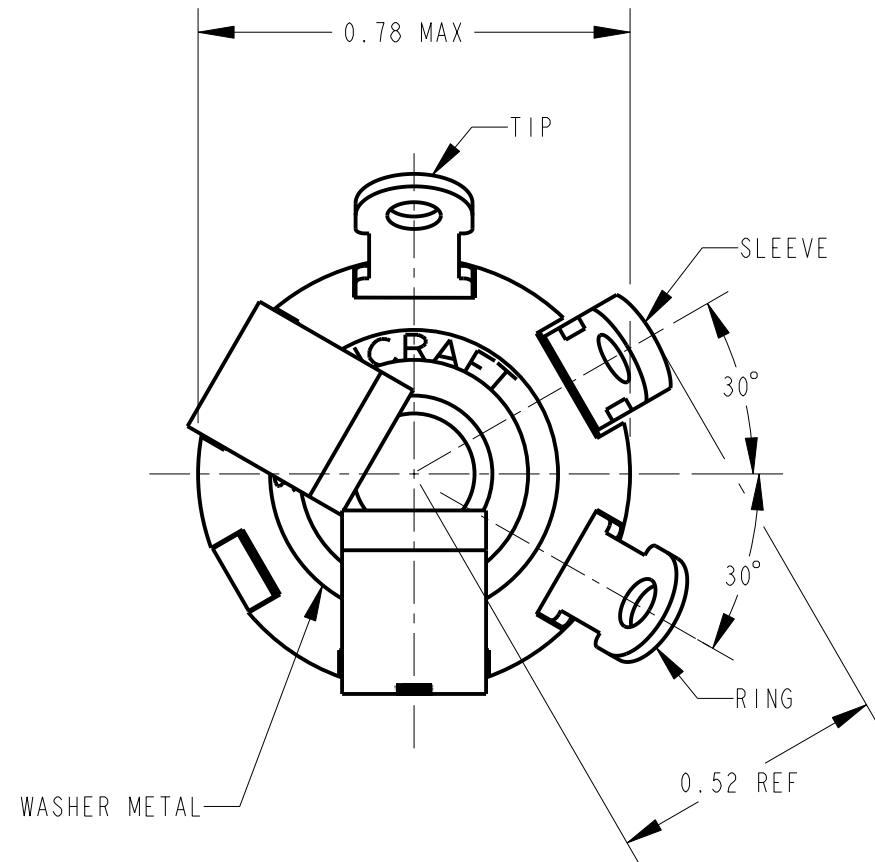
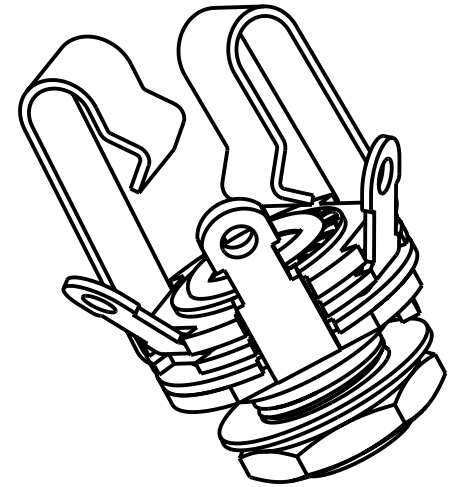


MOUNTING DETAIL



CUSTOMER DRAWING

NOTES:

1. ALL PARTS ARE MECHANICALLY INTERLOCKED
2. MATERIALS:
 BUSHING - BRASS, NICKEL PLATED
 SLEEVE TERMINAL - BRASS, NICKEL PLATED
 TIP & RING SPRINGS - SPECIAL COPPER ALLOY
 INSULATING WASHERS - PHENOLIC
 METAL WASHER - BRASS, NICKEL PLATED
 HARDWARE - BRASS, NICKEL PLATED
 TERMINALS ARE TIN DIPPED

REV	ECO NUMBER	DATE	BY	APVD
0A	FIRST DRAWN	8/29/12	TJK	TJK
REVISIONS				

★ STAR SYMBOL DENOTES CRITICAL DIMENSION

UNLESS OTHERWISE SPECIFIED

1. ALL DIMENSIONS IN INCHES
 - TWO PLACE DECIMALS ±0.01
 - THREE PLACE DECIMALS ±0.005
 - ANGLES ±1°
 - ALL DIA. CONCENTRIC WITHIN 0.005 T.I.R.
2. FEATURES ON THE SAME CENTERLINE MUST BE ALIGNED WITHIN ±0.002
3. REMOVE ALL BURRS

DO NOT SCALE DRAWING

THIS DRAWING DESCRIBES A DESIGN CONSIDERED PROPRIETARY IN NATURE, DEVELOPED AND MANUFACTURED BY SWITCHCRAFT INC. AND IS RELEASED ON A CONFIDENTIAL BASIS FOR IDENTIFICATION PURPOSES ONLY.									
SIZE	WIDTH	MULT	LBS/M	TEMPER					
FINISH					MATERIAL				
SPEC No.					SPEC No.				
FIRST USED ON					SCALE				
					3:1				
DATE DRAWN	BY	CHKD	APVD						
29-Aug-12	TJK	TJK	TJK						
			8/29/12			8/29/12			
NAME					PART No.				
LITTEL JAX FOR PJ-068 PLUG					C12BZ				
					REV				
					0A				