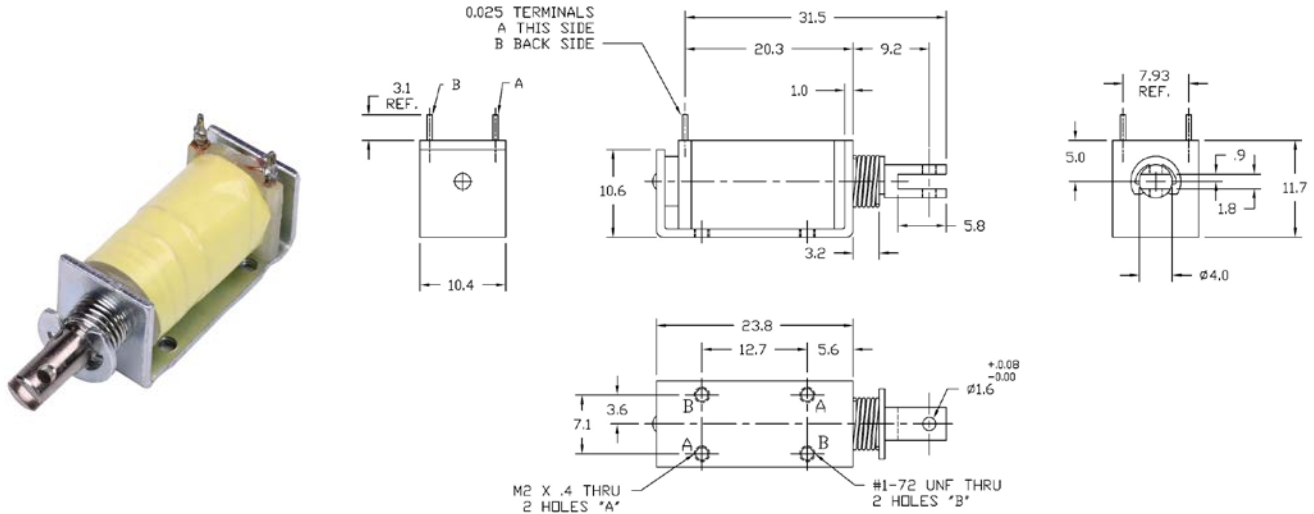


Model C5L

Latching DC Pull C-Frame Solenoid

Size: 0.94" L x 0.41" W x 0.46" H

ALL PRODUCTS ARE RoHS COMPLIANT



See website for coil connection and operation details
Solenoid shown latched with plunger fully seated

Part No.	Duty Cycle	Pull-in Voltage	Unlatch Voltage	Resistance (Ω) \pm 5%	Max On Time	Power (W)	Current (A)
C5-L-273-B-1	Intermittent	6 VDC	3 VDC	2.88	47 Secs	12	2.08
C5-L-272-B-1	Intermittent	12 VDC	6 VDC	11.52	47 Secs	12	1.04
C5-L-271-B-1	Intermittent	18 VDC	9 VDC	25.77	47 Secs	12	0.70
C5-L-270-B-1	Intermittent	24 VDC	12 VDC	48.65	47 Secs	12	0.49

Intermittent Duty = 25% "On" Time
When ordering please refer to Part No. as listed above
Please consult factory for custom configurations

Stroke (in.)	Typical Pull Force (oz.)								Magnet Hold Force (oz.)
	0.010	0.020	0.030	0.040	0.050	0.060	0.080	0.100	
Intermittent Duty	24.8	15.0	10.4	8.0	6.0	5.0	4.0	3.2	20.6 w/spring

Additional Specifications:

Dielectric Strength: 500 VRMS
 Recommended Heat Sink: All force values shown are with no heat sink and 20°C ambient temperature
 Return Spring Rate: 12.34 ozs/in; 2.40 ozs latched position
 Coil Insulation: Class "B" - 130°C max temperature
 Total Unit Weight: 0.42 oz. / 11.9 g
 Plunger Weight: 0.10 oz. / 2.8 g