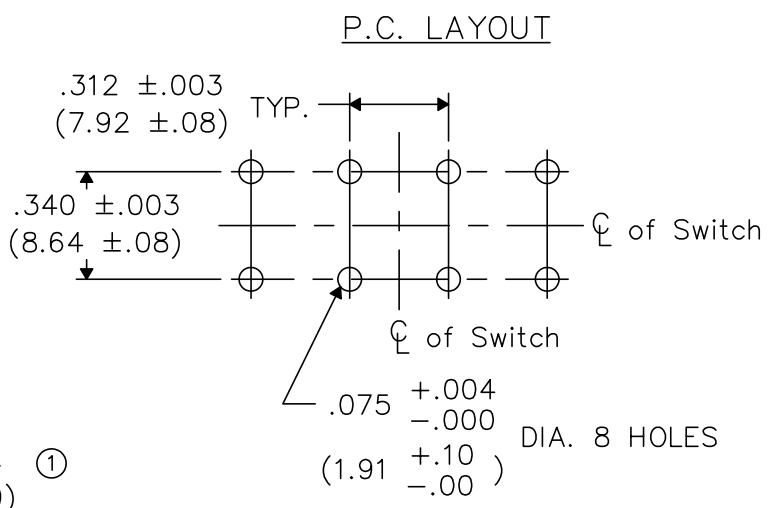
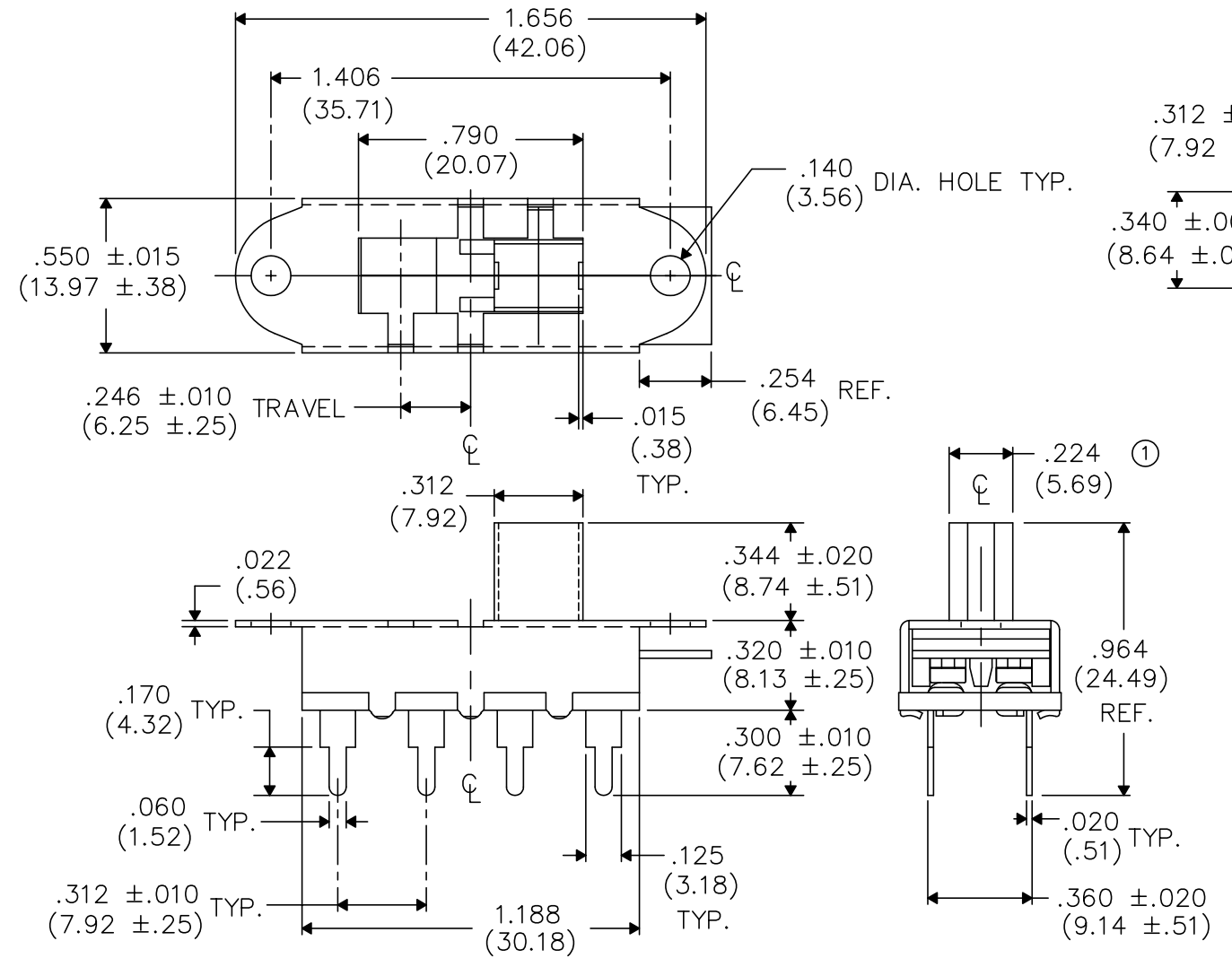


DIMENSIONS IN INCHES (MILLIMETERS)  
DO NOT SCALE DRAWING .....

Dwg. No.  
**G-1128L-0005**



1 2 3 4 5 6 7 8 9 10

B-FORMAT 2002  
REVISIONS  
1  
REDRAWN W/NEW FORMAT.  
.224 WAS .217. IN TITLE  
BLOCK MADE FOR CW IND.  
WAS T.C.A..  
DGW 1-14-2003  
JAN. 20, 2003

TOLERANCES UNLESS OTHERWISE SPECIFIED	
2 Place Decimal ±.010	METRIC
3 Place Decimal ±.005	1 Place Dec. ±.25mm
Angles ..... ±1°	2 Place Dec. ±.13mm
Made for: CW IND.	Division: SWITCH
Drawn by: DGW 1-14-2003	Dwg. No. G-1128L-0005
Checked by: GG 1-20-03	
Approval: BF 1-20-03	

**CW INDUSTRIES**  
Southampton, Pa. 18966

Title: **SWITCH ASSEMBLY**  
D.P.- 3 POS.

PDF File Made