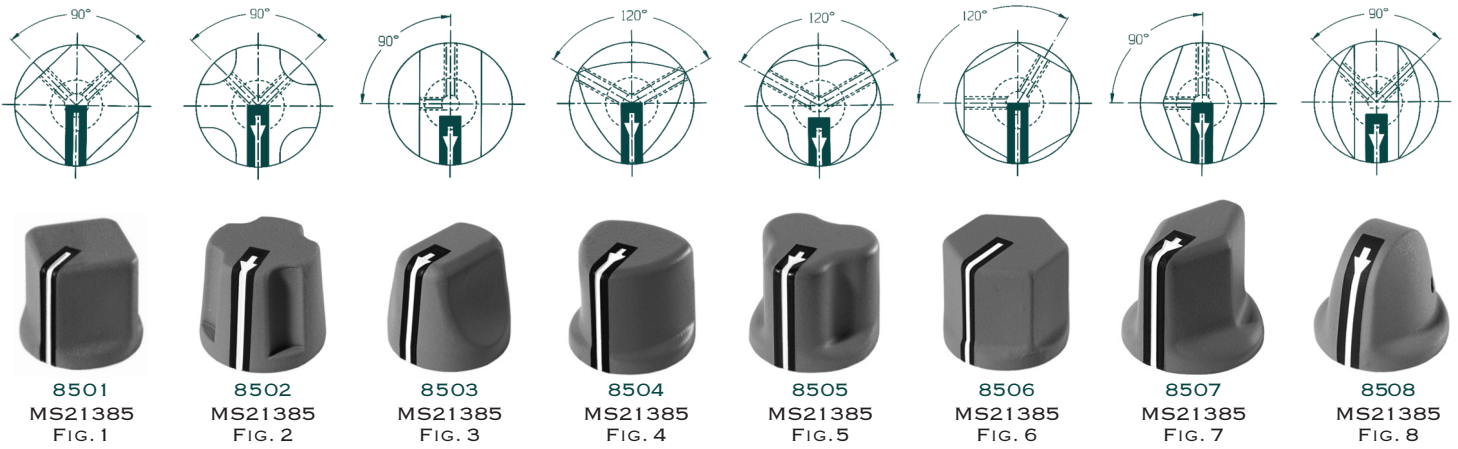
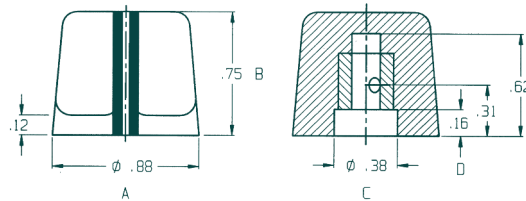
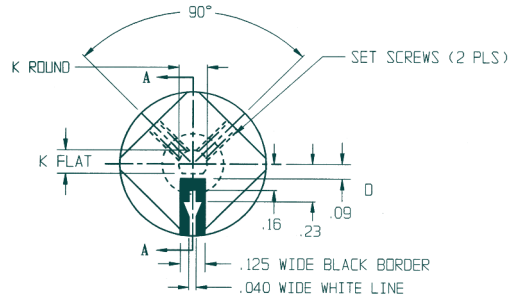


# TRANSILLUMINATED

## TL SERIES



### TL SERIES

Style Number	A Base Diameter	B Height	C Nut Clearance Diameter	D Nut Clearance Depth	Set Screws	
					1/8	1/4
8501	0.88	0.75	0.38	0.16	MS51021-102	MS51021-132
8502	0.88	0.75	0.38	0.16	MS51021-102	MS51021-132
8503	0.88	0.75	0.38	0.16	MS51021-102	MS51021-132
8504	0.88	0.75	0.38	0.16	MS51021-102	MS51021-132
8505	0.88	0.75	0.38	0.16	MS51021-102	MS51021-132
8506	0.88	0.75	0.38	0.16	MS51021-102	MS51021-132
8507	0.88	0.75	0.38	0.16	MS51021-102	MS51021-132
8508	0.88	0.75	0.38	0.16	MS51021-102	MS51021-132

#### Design Variations

- Part 8507 is available with or without "Grip/Pull" serrations on the sides
- Set screw locations can vary
- Markings and color can vary (see page 4T)
- Nut clearance depth and diameter can vary
- See part number system for shaft hole designation

Detailed drawings are available for each style

All of our backlighted knobs can be manufactured for night vision use. Our night vision knobs meet NVIS "Green A" requirements.

