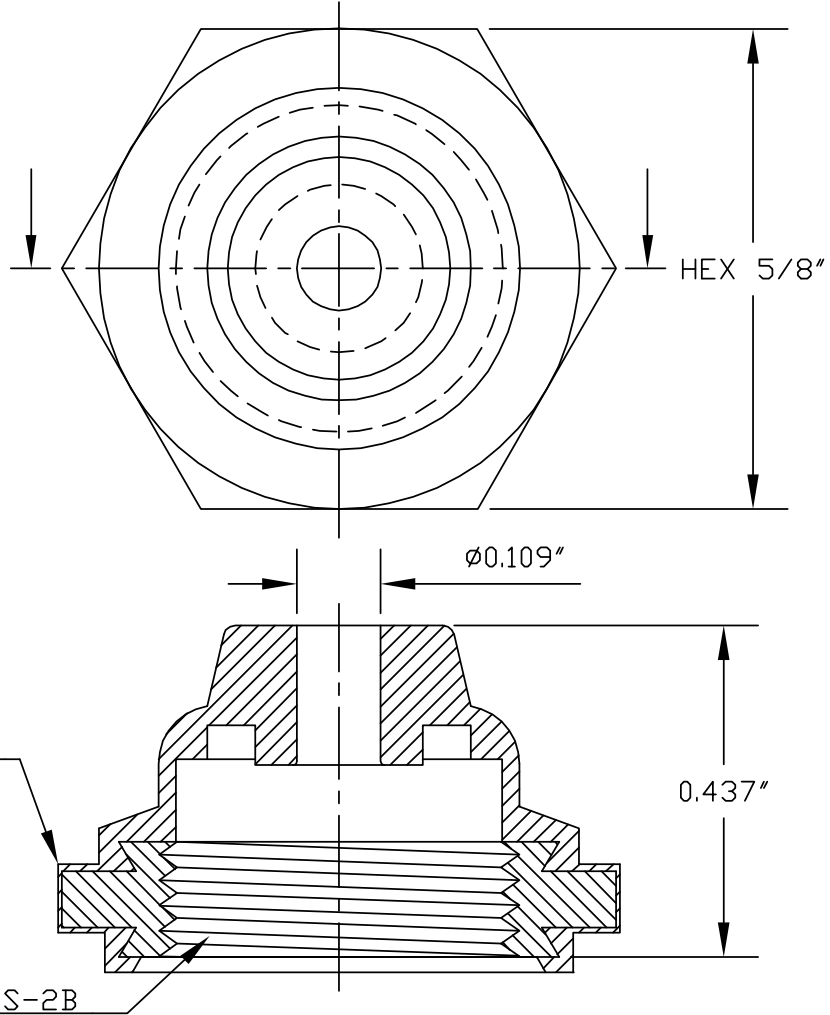


**SPECIFICATIONS**

**Material:** HEXSEALS:Silicone rubber conforms to A-A-59588 Class 3B, GR 50 unless otherwise specified.  
**Mounting Nut:** HEXSEALS: Brass, nickel-plated (unless otherwise noted)  
**Temperature Range:** HEXSEALS: -94°F to +400°F  
**Pressure Range:** Exceeds 15 psi internal and 1500 psi external.  
**Operational Life:** 50,000 actuations (minimum).  
**Shelf Life:** Excess of 25 years.  
**Resistant to:** Salt spray, sunlight, ozone, weather, fungus, and most acids and lubricating oils  
**Agency Recognition:** E-SEELS and HEXSEALS are UL-listed to UL Std. 50 types 1-13, and meet CSA standards.  
**Installation:** If a reducing adaptor is required - see page 14 of HEXSEAL catalog HEX200 for part numbers and drawing.



F	HOLE DIMENSION WAS CORRECTED from 0.078" to 0.109" PER MS SPEC.	S. GOK	03.04.09
E	CAD COMPUTER GENERATED		09.23.02
D	REDRAWN		10.11.74
REV.	DESCRIPTION		DATE
MAXIMUM AND MINIMUM MEASUREMENTS ARE STATED DIRECTLY ON EACH DIMENSION.		TITLE:	BOOT TOGGLE SWITCH EXPOSED BAT (N-1030B)
MAT'L: Silicone Rubber A-A-59588, Gr.50		ENG.	
FINISH: GRAY		DWN.	M.M. 06.06.61
APM-HEXSEAL CORPORATION		CHKD.	
		SCALE	(N-1030B) HEXSEAL ®
		4 : 1	
		DWG. NO.	

THIS DRAWING COVERS PROPRIETARY ITEM AND IS THE PROPERTY OF THE APM-HEXSEAL CORPORATION.  
 THIS DRAWING IS NOT TO BE COPIED OR USED WITHOUT THE WRITTEN APPROVAL OF AN OFFICER OF THE APM-HEXSEAL CORPORATION.