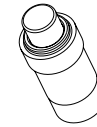


NOTES:

(B)

- DRAWING TO BE INTERPRETED IN ACCORDANCE WITH THE CURRENT REVISION OF ASME Y14.5M.
- THIS PART/PRODUCT IS TO BE MANUFACTURED WITH THE APPLICABLE REGULATIONS OF EC DIRECTIVES 2002/95/EC AND 2002/96/EC, RESTRICTION OF THE USE OF HAZARDOUS SUBSTANCES IN ELECTRICAL AND ELECTRONIC EQUIPMENT (RoHS) AND WASTE ELECTRICAL AND ELECTRONIC EQUIPMENT (WEEE).



SCALE 1:2

PI-10176

REV	OCN #	DATE	APR
A	011944	22 FEB 02	REO
B	039799	25 OCT 07	REO

CHARACTERISTICS

ELECTRICAL:

RATINGS:	SEA LEVEL		50,000 FT.
LOAD	28 VDC	115 VAC	28 VDC
RESISTIVE	10 AMPS	10 AMPS	-----
INDUCTIVE	5 AMPS	5 AMPS	5 AMPS
LAMP	3 AMPS	3 AMPS	-----
DWV	1050 VRMS		400 VRMS

ELECTRICAL LIFE: 25,000 CYCLES AT FULL LOAD.

MECHANICAL:

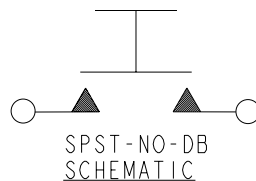
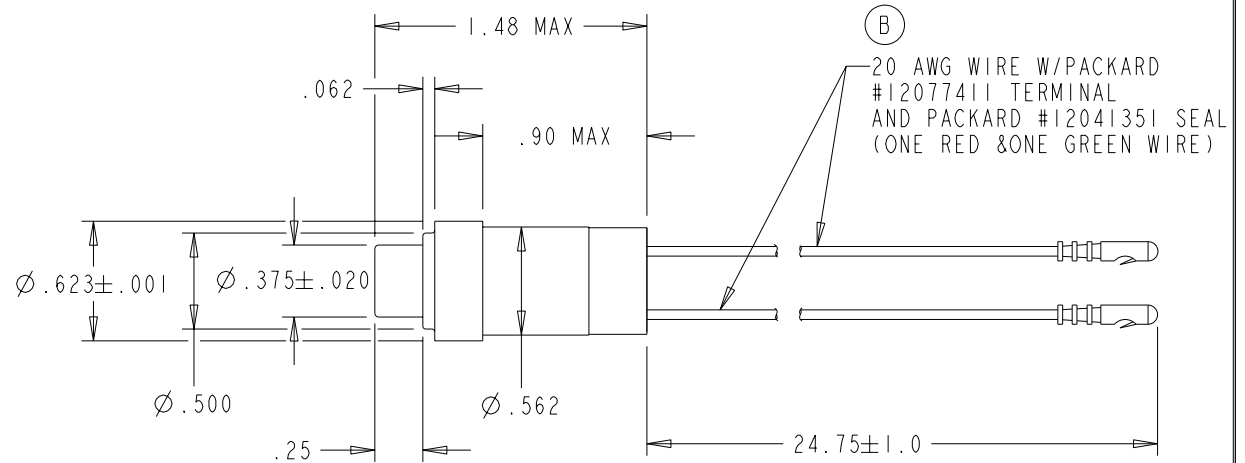
- TOTAL TRAVEL: .085±.015 ☒
- OVERTRAVEL: .012 MIN. ■
- RESET TRAVEL: .012 MIN. ■
- MOVEMENT DIFFERENTIAL: .015 MIN. ☒
- OPERATING FORCE: 4 LBS.± 1 LB.
- RESET FORCE: 1 LB. MIN.
- MECHANICAL LIFE: 1,000,000 CYCLES

PHYSICAL:

- TEMPERATURE RANGE: -55°C TO +85°C
- ENCLOSURE DESIGN: DUSTTIGHT, PER MIL-PRF-8805, DESIGN 2
- BUTTON: NYLON, BLACK
- CASE: BLACK ANODIZED, ALUMINUM ALLOY

MARKING:

OTTO 21649
PI-10176
& DATE CODE (YYWW)



MANUFACTURING



SPC

OTTO

CARPENTERSVILLE, ILLINOIS USA

DESCRIPTION

"A" CASE PUSHBUTTON SWITCH

UNLESS OTHERWISE SPECIFIED:
DIMENSIONS ARE IN INCHES.
TOLERANCES ARE AS LISTED.
MUST BE FREE FROM BURRS
AND SHARP EDGES.

TOLERANCES
.XX ±.03
.XXX ±.010
ANGLES ±2°
DO NOT SCALE DRAWING.

THIS DOCUMENT IS THE CONFIDENTIAL
PROPERTY OF OTTO ENGINEERING, INC..
IT IS NOT TO BE USED IN ANY WAY
DETRIMENTAL TO THE INTERESTS
OF OTTO ENGINEERING, INC..

DRWN. RDN	SIZE	FSCM NO	DRAWING NO.	REV.
CHKD. RDN	A	21649	PI-10176	B
APPD. RTK				
WT.	THIRD ANGLE PROJECTION	Scale 1:1	Sheet 1 OF 1	