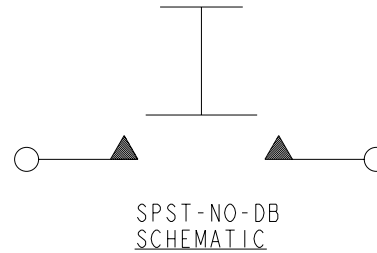


# CHARACTERISTICS

## ELECTRICAL:

RATINGS:	SEA LEVEL		50,000 FT.
LOAD	28VDC	115VDC	28 VDC
RESISTIVE	10 AMPS	10 AMPS	_____
INDUCTIVE	5 AMPS	5 AMPS	5 AMPS
LAMP	3 AMPS	3 AMPS	_____
DWV	1050 VRMS		400 VRMS



P3-30136			
REV	OCN #	DATE	APR
A	940617	11 MAR 94	HR
B	003558	11 FEB 00	GP

ELECTRICAL LIFE: 100,000 CYCLES AT FULL LOAD.

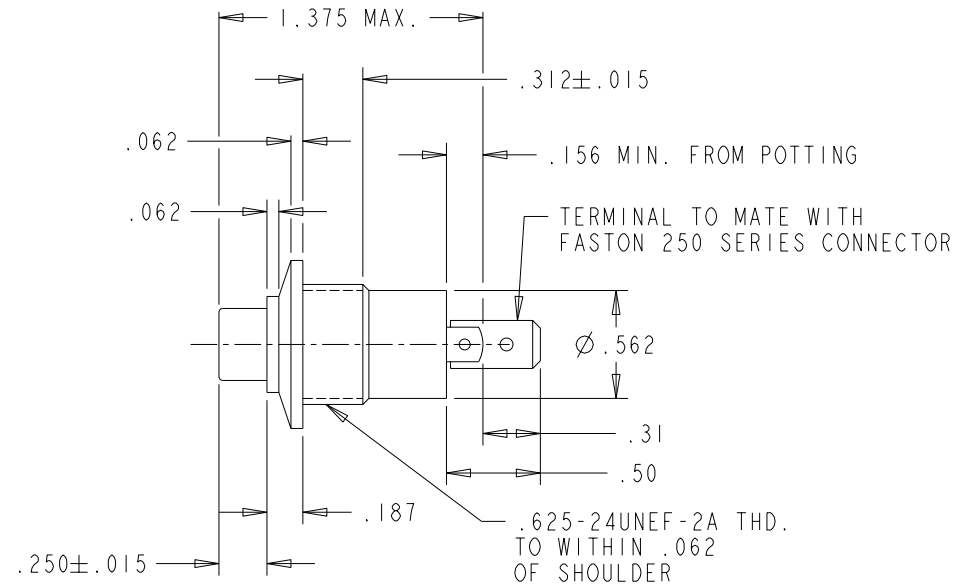
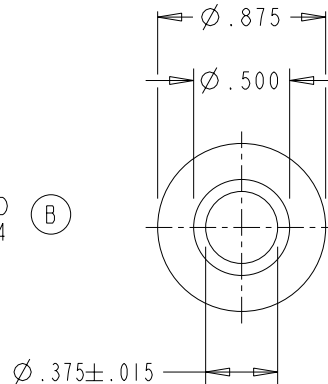
## MECHANICAL:

TOTAL TRAVEL:  $.085 \pm .015$  X  
 OVERTRAVEL: .012 MIN. ■ B  
 RESET TRAVEL: .012 MIN. ■  
 MOVEMENT DIFFERENTIAL: .015 MIN. X  
 OPERATING FORCE: 2.5 LB.  $\pm 1.0$  LB.  
 RESET FORCE: 0.75 LB. MIN.  
 MECHANICAL LIFE: 1,000,000 CYCLES

## PHYSICAL:

TEMPERATURE RANGE:  $-55^{\circ}\text{C}$  TO  $+85^{\circ}\text{C}$   
 ENCLOSURE DESIGN: DUSTTIGHT, PROTECTED AGAINST SPLASHING WATER, PER IP64 B  
 BUTTON: BLACK NYLON  
 CASE: BLACK ANODIZED ALUMINUM ALLOY

MARK: OTTO, 21649,  
 P3-30136 &  
 DATE CODE (YYWW) B



## NOTE:

MOUNTING HARDWARE: HEX NUT, PANEL SEAL & LOCKWASHER

OTTO CONTROLS  
 DIVISION OF  
 OTTO ENGINEERING INC.  
 CARPENTERSVILLE, ILLINOIS USA

## DESCRIPTION

"C" CASE  
 PUSHBUTTON

X MAJOR ■ CRITICAL ▲ SPC

UNLESS OTHERWISE SPECIFIED:  
 DIMENSIONS ARE IN INCHES.  
 TOLERANCES ARE AS LISTED.  
 MUST BE FREE FROM BURRS  
 AND SHARP EDGES.

TOLERANCES  
 $.XX \pm .03$   
 $.XXX \pm .010$   
 ANGLES  $\pm 2^{\circ}$   
 DO NOT SCALE DRAWING.  
 THIRD ANGLE PROJECTION

THIS DOCUMENT IS THE CONFIDENTIAL PROPERTY OF OTTO ENGINEERING, INC.. IT IS PROVIDED ON A RESTRICTED BASIS AND IS NOT TO BE USED IN ANY WAY DETRIMENTAL TO THE INTERESTS OF OTTO ENGINEERING, INC..

DRWN. KA	SIZE	FSCM NO	DRAWING NO.	REV.
CHKD. HR	A	21649	P3-30136	B
APPD. RG				
DATE 11 NOV 93	WT. 30 G. MAX.	1:1	Sheet 1 OF 1	