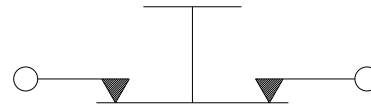


P3-90009

CHARACTERISTICS

ELECTRICAL:

RATINGS: SEA LEVEL		
LOAD	28VDC	115 VAC
RESISTIVE	10 AMPS	10 AMPS
INDUCTIVE	5 AMPS	5 AMPS
LAMP	3 AMPS	3 AMPS



SPST-NC-DB  
SCHEMATIC

LET	OCN #	DATE	APR
J	953527	01 SEP 95	RE
K	000825	22 MAY 99	GP

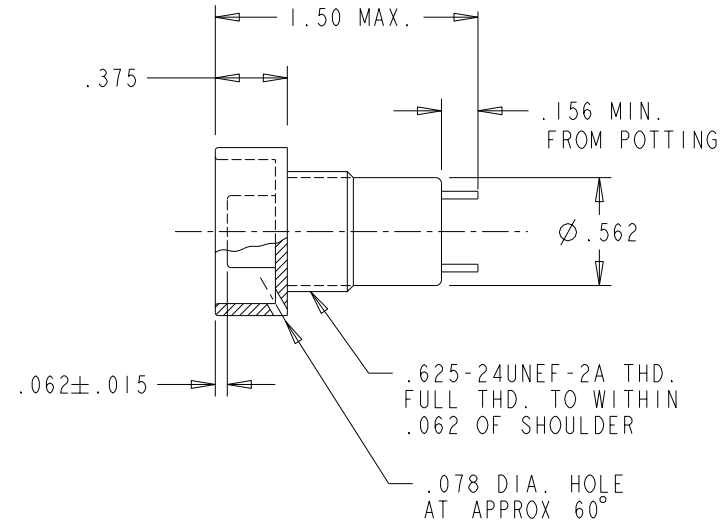
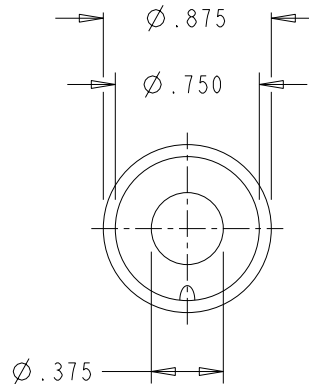
MECHANICAL:

TOTAL TRAVEL: .085±.015 X  
 OVERTRAVEL: .012 MIN. ■ K  
 RESET TRAVEL: .012 MIN. ■  
 MOVEMENT DIFFERENTIAL: .015 MIN. X  
 OPERATING FORCE: 2.5 ±.3 LBS.  
 RESET FORCE: 0.75 LB. MIN.  
 MECHANICAL LIFE: 50,000 CYCLES

PHYSICAL:

TEMPERATURE RANGE: -55°C TO +85°C  
 ENCLOSURE DESIGN: DUSTTIGHT, PER IP64 K  
 BUTTON: NYLON, BLACK  
 CASE: BLACK ANODIZED, ALUMINUM ALLOY

MARK: OTTO 21649  
 P3-90009 &  
 DATE CODE (YYWW) K



OTTO CONTROLS  
 DIVISION OF  
 OTTO ENGINEERING INC.  
 CARPENTERSVILLE, ILLINOIS USA

PART NAME  
 PUSHBUTTON SWITCH

MINOR  MAJOR  CRITICAL  SPC CRITICAL

UNLESS OTHERWISE SPECIFIED:  
 DIMENSIONS ARE IN INCHES.  
 TOLERANCES ARE AS LISTED.  
 MUST BE FREE FROM BURRS  
 AND SHARP EDGES.

TOLERANCES  
 .XX ±.03  
 .XXX ±.010  
 ANGLES ±2°  
 DO NOT SCALE DRAWING.  
 THIRD ANGLE PROJECTION

THIS DOCUMENT IS THE CONFIDENTIAL  
 PROPERTY OF OTTO ENGINEERING, INC..  
 IT IS PROVIDED ON A RESTRICTED  
 BASIS AND IS NOT TO BE USED IN ANY  
 WAY DETRIMENTAL TO THE INTERESTS  
 OF OTTO ENGINEERING, INC..

DRWN. CC	SIZE	FSCM NO	DRAWING NO.	REV.
CHKD. RE	A	21649	P3-90009	K
APPD. RG				
DATE 01 SEP 95	WT.		SCALE 1:1	SHEET 1 OF 1