

NOTES: (D)

- DRAWING TO BE INTERPRETED IN ACCORDANCE WITH THE CURRENT REVISION OF ASME Y14.5M.
- THIS PART/PRODUCT IS TO BE MANUFACTURED WITH THE APPLICABLE REGULATIONS OF EC DIRECTIVES 2002/95/EC AND 2002/96/EC, RESTRICTION OF THE USE OF HAZARDOUS SUBSTANCES IN ELECTRICAL AND ELECTRONIC EQUIPMENT (RoHS) AND WASTE ELECTRICAL AND ELECTRONIC EQUIPMENT (WEEE).

CHARACTERISTICS

ELECTRICAL:

RATINGS:	SEA LEVEL		50,000 FT.
LOAD	28 VDC	115 VAC	28 VDC
RESISTIVE	10 AMPS	10 AMPS	-----
INDUCTIVE	5 AMPS	5 AMPS	5 AMPS
LAMP	3 AMPS	3 AMPS	-----
DWV	1050 VRMS		400 VRMS

ELECTRICAL LIFE: 100,000 CYCLES

MECHANICAL:

TOTAL TRAVEL: .085±.015
 OVER TRAVEL: .012 MIN. ■
 RESET TRAVEL: .012 MIN. ■
 MOVEMENT DIFFERENTIAL: .015 MIN.
 OPERATING FORCE: 2.5 ^{+0.5}/_{-1.0} LBS. WITH NO HEX SEAL
 4.0 ±0.5 LB. WITH HEX SEAL (D)
 RESET FORCE: 0.75 LB. MIN.
 MECHANICAL LIFE: 1,000,000 CYCLES

PHYSICAL:

TEMPERATURE RANGE: -55°C TO +85°C
 ENCLOSURE DESIGN: DUSTTIGHT, PROTECTED AGAINST
 SPLASHING WATER PER IP64
 PANEL SEAL BOOT: SILICONE RUBBER, GRAY
 CASE: CLEAR ANODIZED, ALUMINUM ALLOY

MARKING:

OTTO 21649
 P3-90186, AND
 DATE CODE (YYWW)

MOUNTING HARDWARE:

HEX NUT AND LOCKWASHER

YELLOW ○ — ○ — ○ — ○ YELLOW

RED ○ — ▲ — ▲ — ○ RED

SPDT-DB
 SCHEMATIC

■ MANUFACTURING

▲ SPC

UNLESS OTHERWISE SPECIFIED:
 DIMENSIONS ARE IN INCHES.
 TOLERANCES ARE AS LISTED.
 MUST BE FREE FROM BURRS
 AND SHARP EDGES.

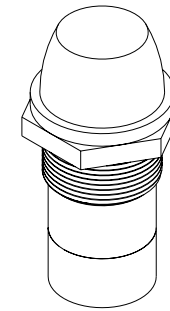
TOLERANCES
 .XX ±.03
 .XXX ±.010
 ANGLES ±2°
 DO NOT SCALE DRAWING.

OTTO CONTROLS
 DIVISION OF
 OTTO ENGINEERING INC.
 CARPENTERSVILLE, ILLINOIS USA

DESCRIPTION
 P3, PUSHBUTTON SWITCH

THIS DOCUMENT IS THE CONFIDENTIAL
 PROPERTY OF OTTO ENGINEERING, INC..
 IT IS NOT TO BE USED IN ANY WAY
 DETRIMENTAL TO THE INTERESTS
 OF OTTO ENGINEERING, INC..

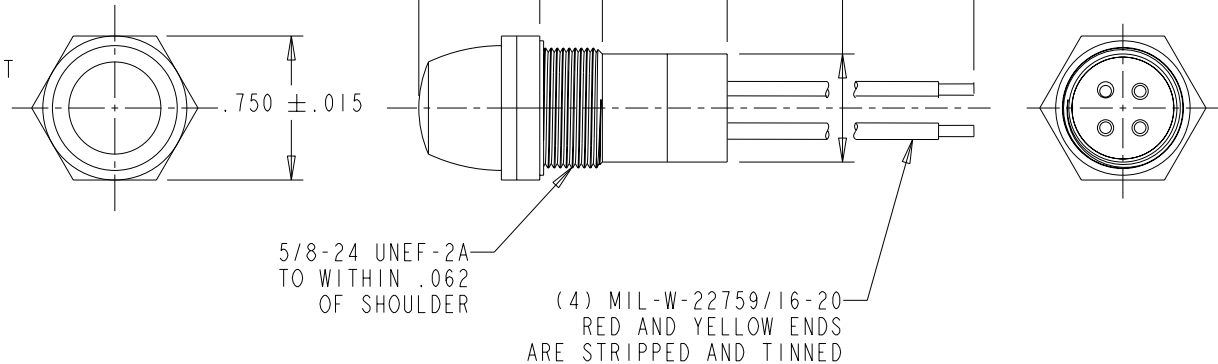
DRWN. RCW	SIZE	FSCM NO	DRAWING NO.	REV.
CHKD. RCW	A	21649	P3-90186	D
APPD. RTK				
WT.	THIRD ANGLE PROJECTION	Scale 1:1	Sheet 1 OF 1	



SCALE 1:1

P3-90186

REV	OCN #	DATE	APR
A	962550	11 JUL 96	RE
B	000825	21 MAY 99	GP
C	027196	07 JUN 05	REO
D	030829	14 MAR 06	REO



5/8-24 UNEF-2A
 TO WITHIN .062
 OF SHOULDER

(4) MIL-W-22759/16-20
 RED AND YELLOW ENDS
 ARE STRIPPED AND TINNED