

**CHARACTERISTICS**  
**ELECTRICAL:**

LOAD	RATINGS: at 28 VDC / 125 VAC			
	SEA LEVEL		70,000 FT.	
	N.O. or N.C.	2 CIRCUIT	N.O. or N.C.	2 CIRCUIT
RESISTIVE	8 AMPS	5 AMPS	8 AMPS	5 AMPS
INDUCTIVE	5 AMPS	3 AMPS	3 AMPS	2 AMPS
LAMP	5 AMPS	-----	-----	-----
MOTOR	1 AMP	-----	-----	-----
DWV	1050 VRMS		400VRMS	

ELECTRICAL ENDURANCE: 25,000 CYCLES

**MECHANICAL:**

TOTAL TRAVEL: .100 MAX.  
OPERATING FORCE: 4 LBS. MAX.  
MECHANICAL ENDURANCE: 50,000 CYCLES

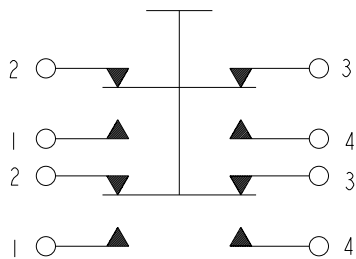
**PHYSICAL:**

PLUNGER SEAL DESIGN: DUSTTIGHT PER MIL-PRF-8805; DESIGN 2  
CASE: BLACK ANODIZED ALUMINUM ALLOY  
BUTTON: BLACK NYLON  
BASIC SWITCHES PER MIL-PRF-8805/101

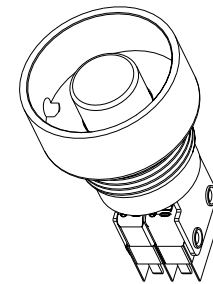
MARK: OTTO 21649  
P4-900019  
DATE CODE (YYWW)

**MOUNTING HARDWARE:**

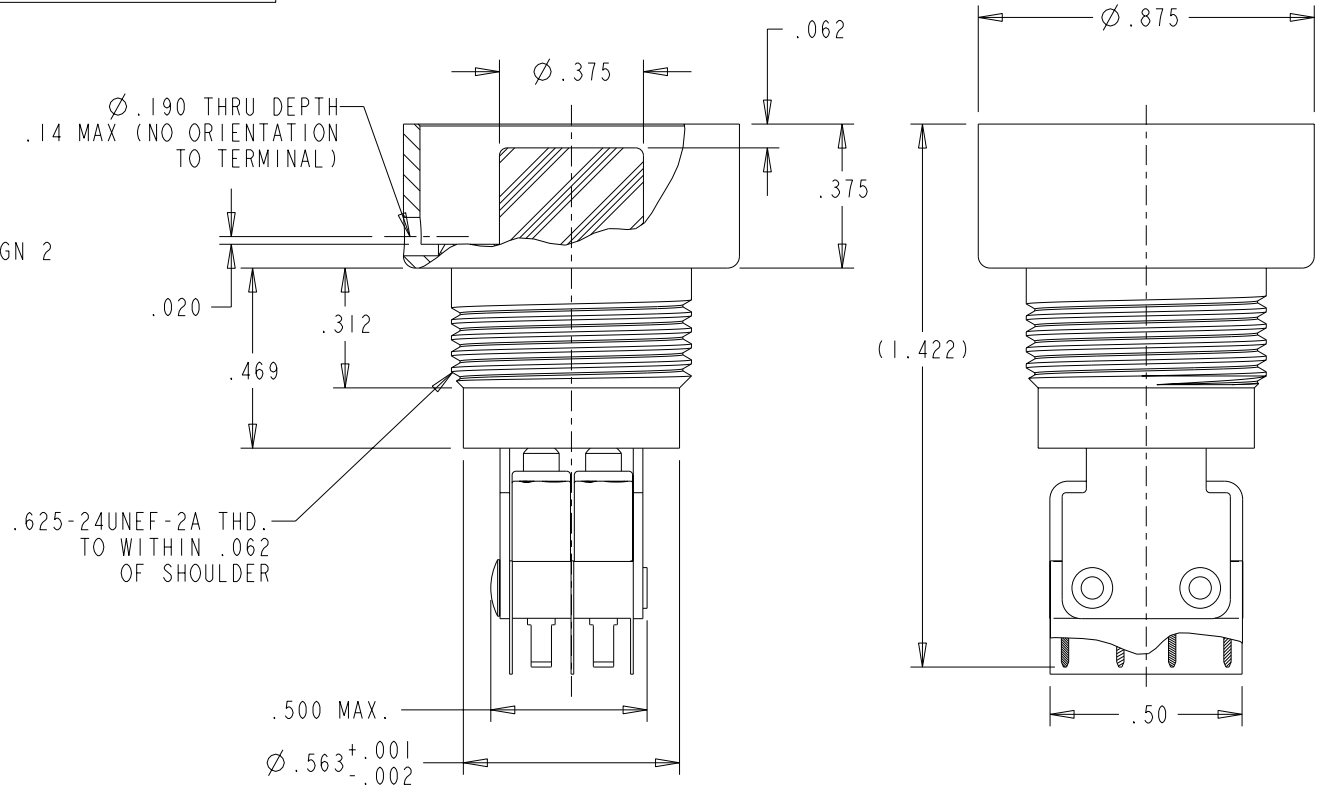
HEX NUT AND INTERNAL TOOTH LOCKWASHER



■ MANUFACTURING      ▲ SPC



SCALE 1:1



P4-900019			
REV	OCN #	DATE	APR
A	005046	27 MAY 00	BS
B	012271	19 MAR 02	REO
C	018303	19 JUN 03	RAK

**OTTO CONTROLS**  
DIVISION OF  
**OTTO ENGINEERING INC.**  
CARPENTERSVILLE, ILLINOIS USA

DESCRIPTION  
P4, SWITCH, PUSHBUTTON

UNLESS OTHERWISE SPECIFIED:  
DIMENSIONS ARE IN INCHES.  
TOLERANCES ARE AS LISTED.  
MUST BE FREE FROM BURRS  
AND SHARP EDGES.

TOLERANCES  
.XX ±.03  
.XXX ±.010  
ANGLES ±2°  
DO NOT SCALE DRAWING.  
THIRD ANGLE PROJECTION

THIS DOCUMENT IS THE CONFIDENTIAL PROPERTY OF OTTO ENGINEERING, INC.. IT IS PROVIDED ON A RESTRICTED BASIS AND IS NOT TO BE USED IN ANY WAY DETRIMENTAL TO THE INTERESTS OF OTTO ENGINEERING, INC..

DRWN. BDS	SIZE	FSCM NO	DRAWING NO.	REV.
CHKD. BS	A	21649	P4-900019	C
APPD. ASC				
DATE 27 MAY 00	WT.	Scale 2:1	Sheet 1 OF 1	