

P7-300056

LET	OCN #	DATE	APR
A	963115	05 AUG 96	

CHARACTERISTICS

ELECTRICAL:

RATINGS: 28 VDC		
LOAD	SEA LEVEL	50,000FT.
RESISTIVE	4 AMPS	4 AMPS
INDUCTIVE	2 AMPS	2 AMPS
DVV	1050 VRMS	

ELECTRICAL LIFE: 50,000 CYCLES

MECHANICAL:

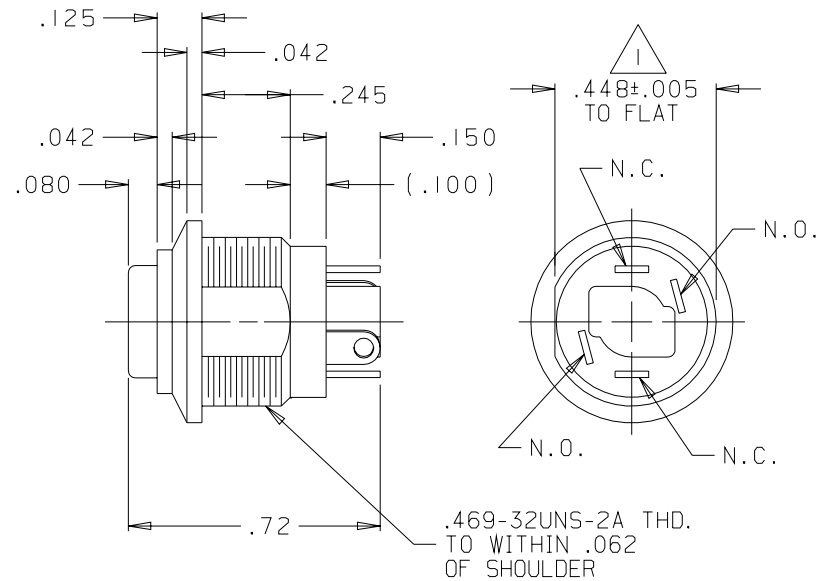
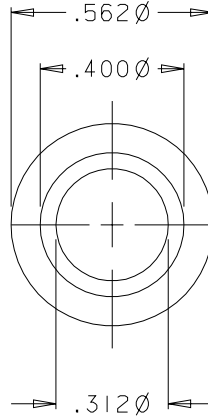
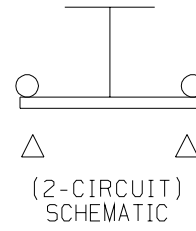
MECHANICAL LIFE: 100,000 CYCLES
 OPERATING FORCE: 12±4 OZS.
 TOTAL TRAVEL: .080 MAX.
 SEAL: ENCLOSURE DESIGN 2, DUSTTIGHT
 PER MIL-S-8805
 CASE: SILVER ANODIZED ALUMINUM ALLOY
 BUTTON: RED NYLON
 BODY: RYTON

MARK: OTTO CONTROLS
 21649, P7-300056
 & DATE CODE.

NOTES:

 ORIENTATION OF FLAT TO
 TERMINALS NOT CONTROLLED.

MOUNTING HARDWARE INCLUDES:
 MS25082-B21 HEXNUT
 MS35333-136 LOCKWASHER

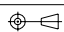


OTTO CONTROLS
 DIVISION OF
 OTTO ENGINEERING INC.
 CARPENTERSVILLE, ILLINOIS USA

PART NAME
 SWITCH, SPECIAL MINI-
 PUSHBUTTON W/.312 DIA. BTN.

MINOR MAJOR CRITICAL SPC CRITICAL

UNLESS OTHERWISE SPECIFIED:
 DIMENSIONS ARE IN INCHES.
 TOLERANCES ARE AS LISTED.
 MUST BE FREE FROM BURRS
 AND SHARP EDGES.

TOLERANCES	
.XX	±.03
.XXX	±.010
ANGLES ±2°	
DO NOT SCALE DRAWING.	
THIRD ANGLE PROJECTION	

THIS DOCUMENT IS THE CONFIDENTIAL
 PROPERTY OF OTTO ENGINEERING, INC..
 IT IS PROVIDED ON A RESTRICTED
 BASIS AND IS NOT TO BE USED IN ANY
 WAY DETRIMENTAL TO THE INTERESTS
 OF OTTO ENGINEERING, INC..

DRWN. MM	SIZE	FSCM NO	DRAWING NO.	REV.
CHKD. ED	A	21649	P7-300056	A
APPD. EED				
DATE 22 DEC 87	WT.		SCALE 2:1	SHEET 1 OF 1