

CHARACTERISTICS

ELECTRICAL:

STANDARD RATINGS AT 28 VDC & 115 VAC
 RESISTIVE: 10 AMPS
 INDUCTIVE: 5 AMPS
 LAMP: 3 AMPS
 ELECTRICAL LIFE: 100,000 CYCLES

MECHANICAL:

TOTAL TRAVEL: .075±.015 ☒
 OVERTRAVEL: .012 MIN. ■
 RESET TRAVEL: .012 MIN. ■
 MOVEMENT DIFFERENTIAL: .015 MIN. ☒
 OPERATING FORCE: 2.5 ±.5 LBS.
 RESET FORCE: .75 LBS. MIN.
 MECHANICAL LIFE: 1,000,000 CYCLES

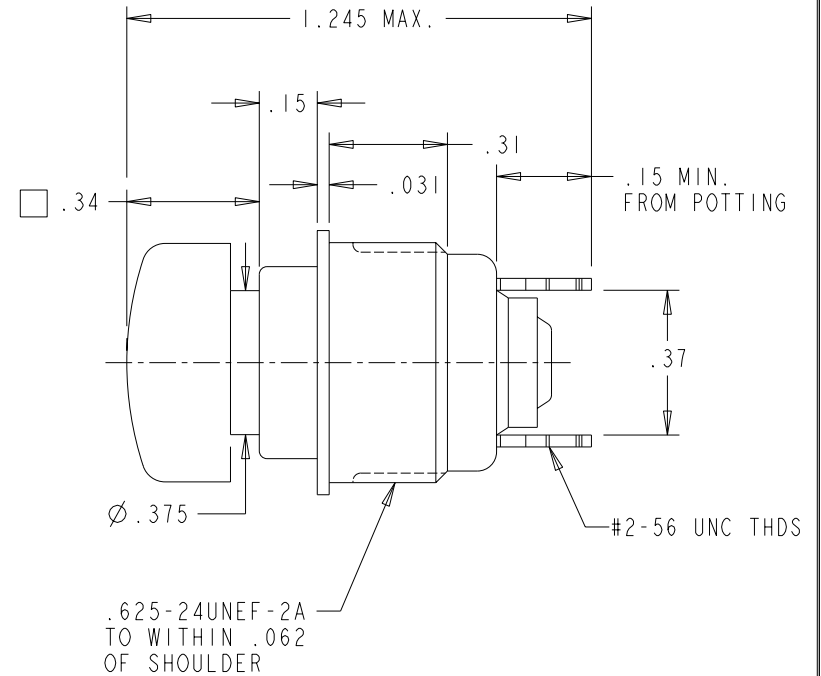
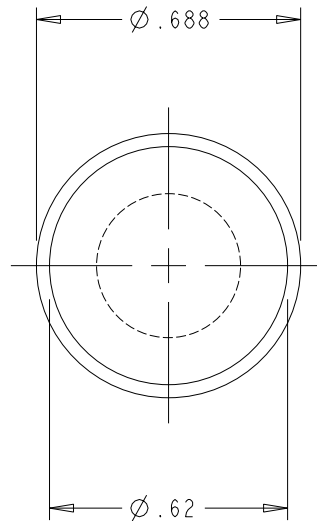
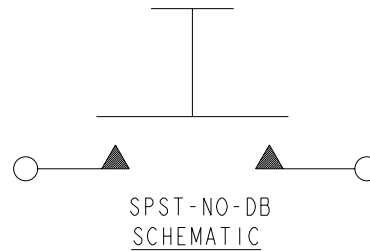
PHYSICAL:

TEMPERATURE RANGE: -55°C TO +85°C
 ENCLOSURE DESIGN: SPLASHPROOF
 BUTTON: BLACK NYLON
 CASE: BLACK ANODIZED
 ALUMINUM ALLOY

MARKING: P8-7000011
 & DATE CODE (YYWW)

MOUNTING HARDWARE:
 HEXNUT, LOCKWASHER &
 PANEL SEAL GASKET

P8-7000011			
LET	OCN #	DATE	APR
A	000076	30 DEC 98	GP



OTTO CONTROLS
 DIVISION OF
 OTTO ENGINEERING INC.
 CARPENTERSVILLE, ILLINOIS USA

PART NAME
 PUSHBUTTON SWITCH "G" CASE
 SNAP-ON BUTTON CAP

☐ MINOR ☒ MAJOR ■ CRITICAL ▲ SPC CRITICAL

UNLESS OTHERWISE SPECIFIED:
 DIMENSIONS ARE IN INCHES.
 TOLERANCES ARE AS LISTED.
 MUST BE FREE FROM BURRS
 AND SHARP EDGES.

TOLERANCES
 .XX ±.03
 .XXX ±.010
 ANGLES ±2°
 DO NOT SCALE DRAWING.
 THIRD ANGLE PROJECTION

THIS DOCUMENT IS THE CONFIDENTIAL
 PROPERTY OF OTTO ENGINEERING, INC..
 IT IS PROVIDED ON A RESTRICTED
 BASIS AND IS NOT TO BE USED IN ANY
 WAY DETRIMENTAL TO THE INTERESTS
 OF OTTO ENGINEERING, INC..

DRWN. BDS	SIZE	FSCM NO	DRAWING NO.	REV.
CHKD. GP	A	21649	P8-7000011	A
APPD. ASC				
DATE 30 DEC 98	WT.	SCALE 2:1	SHEET 1 OF 1	