



KLIXON® | SDLS Series (SDLS, SDLT)

35 to 150 Amp Thermal Circuit Breaker

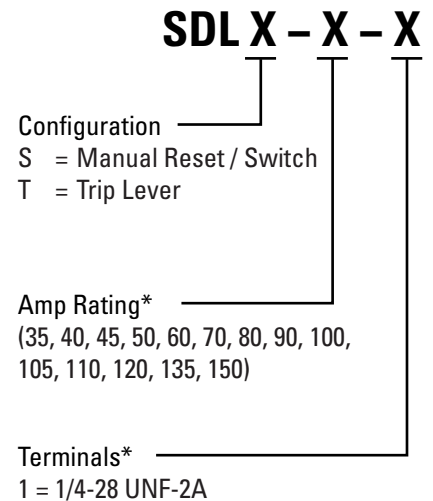
FEATURES

- 30VDC, 35 to 150 Amps
- Weatherproof, ignition protected, trip-free design
- SAE J1625 surface vehicles circuit breaker standards
- SAE J1171 marine circuit breaker standards
- Meets 5000 amps @ 12VDC for interrupt capacity per ABYC E-11, DC electrical systems of boats

DESCRIPTION

The KLIXON® SDLS series thermal breakers are designed for up to 150 amps, manual reset with trip indication in a single device. The internal components are enclosed in a vibration resistant, weatherproof, ignition protected, robust casing to provide protection in the harshest environments found in heavy truck, off-road, marine and construction applications. The SDLS series thermal breakers are designed to combine trip-free protection with fast response time.

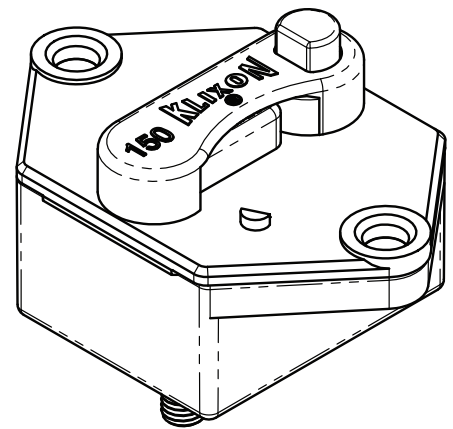
ORDERING INFORMATION



* Other non-standard options available, consult factory

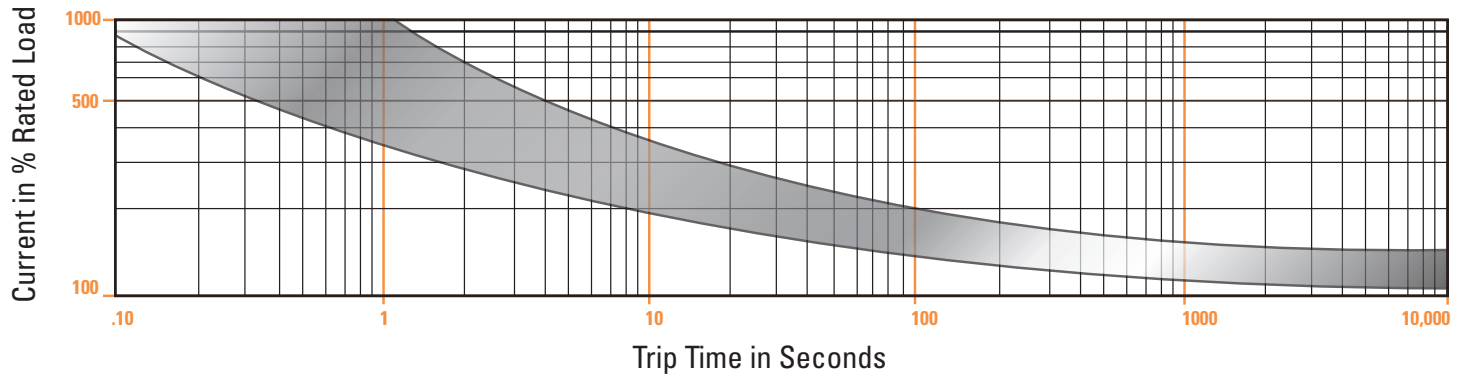
PERFORMANCE CHARACTERISTICS

Calibration : 200% rated current, 77°F (25°C)	25 to 150 Amps : 8 to 100 seconds
Ultimate Trip At 77°F (25°C)	Must hold 100%, Must trip 135%
Endurance	Per SAE J1625
Interrupt Current Capacity	Per SAE J1625 and ABYC E-11
Mechanical Vibration	Per SAE J1455, 4G's 10-2K Hz
Voltage Breakdown	1500VAC Minimum per MIL-STS-202, Method 301
Salt Spray	Per SAE J1455, 96 hours
Weight	75 grams max

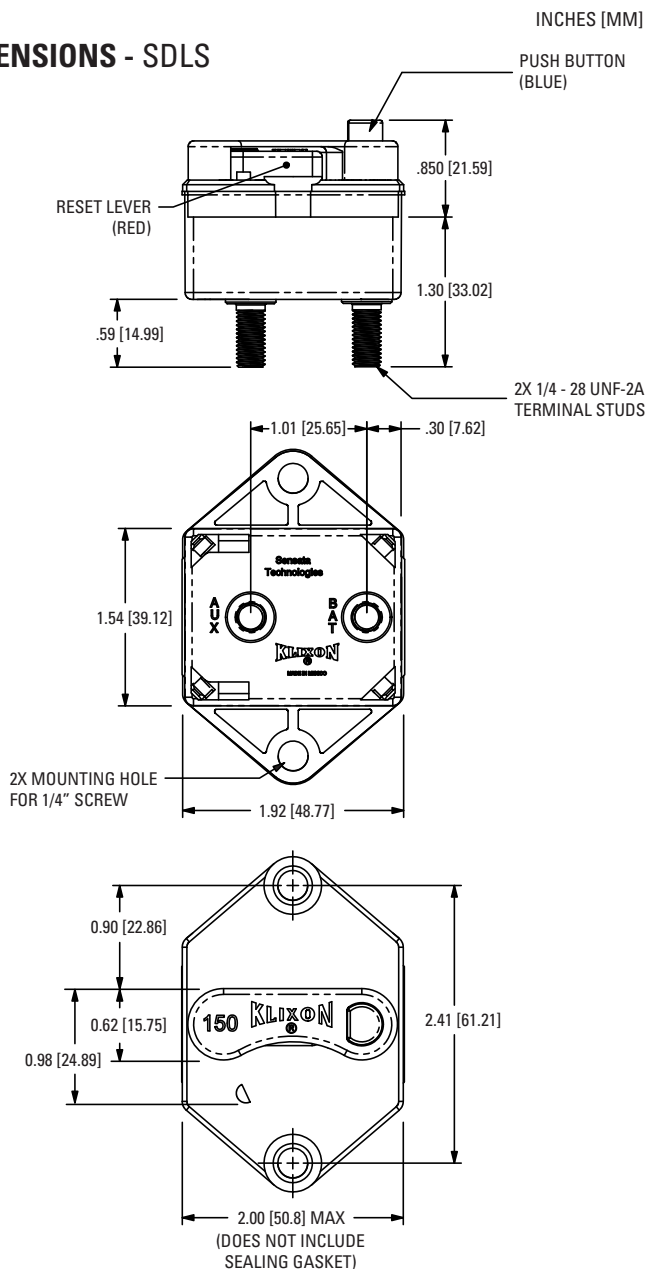




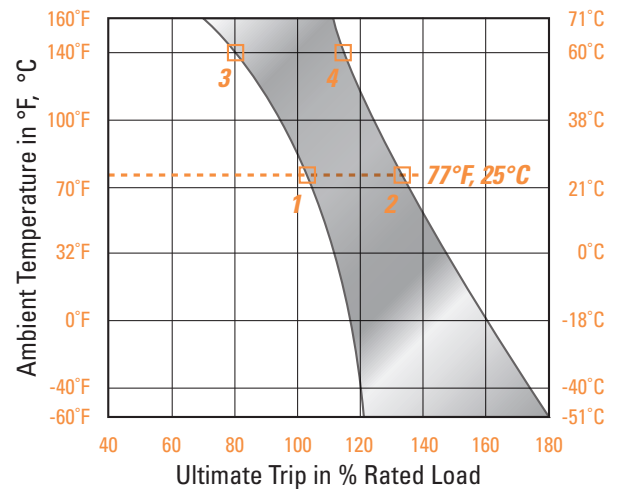
TRIP CURVE - Approximate Time, Current Characteristics At 77°F (25°C)



DIMENSIONS - SDLS



DERATING CURVE



Performance characteristics are based on room temperature (77°F, 25°C). Consult Derating curve for ambient temperatures significantly higher or lower than standard room temperature.

Example: At 77°F (25°C) the device is calibrated to hold at 100% of rated current (1) and trip at 135% of rated current (2). At 140°F (60°C), the same device will hold at approximately 78% of rated current (3), and trip at approximately 115% of rated current (4).

Notes:

1. Dimension does not include sealing gasket.