

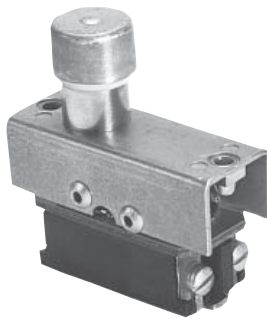
# PUSHBUTTON SWITCHES

## Series - 8870, 8809

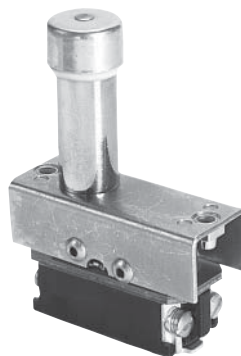
## Special Designed Pushbutton Switches

| FEATURES   | SPECIFICATIONS  | CURRENT RATINGS |                |                |           |                       |                |           |
|--|---|-----------------|----------------|----------------|-----------|-----------------------|----------------|-----------|
|  |   | Catalog Number  | 28VDC          |                |           | 115VAC<br>60 or 400Hz |                |           |
| <ul style="list-style-type: none"> <li>All switches employ momentary action</li> <li>Foot or hand operation designs</li> <li>Plunger has ice and mud scraper</li> <li>Mechanical lock on 8909K559</li> <li>Mechanical lock has spring loaded release design</li> <li>Logic to power switching load capability</li> </ul> | <ul style="list-style-type: none"> <li>MS approved and QPL'd to MIL-S-8805</li> <li>Temperature Range: -40°F to +185°F (-40°C to +85°C)</li> <li>Life: 20,000 operations at rated load<br/>50,000 operations mechanical life</li> </ul> |                 | Resistive Load | Inductive Load | Lamp Load | Resistive Load        | Inductive Load | Lamp Load |
|  |   | 8870K2          | 25             | 10             | 4         | 15                    | 75             | 2         |
|  |   | 8870K3          | 25             | 10             | 4         | 15                    | 75             | 2         |
|  |   | 8870K4          | 25             | 10             | 4         | 15                    | 75             | 2         |
|  |   | 8870K5          | 25             | 10             | 4         | 15                    | 75             | 2         |
|  |   | 8909K559        | 6              | —              | —         | 6                     | —              | —         |

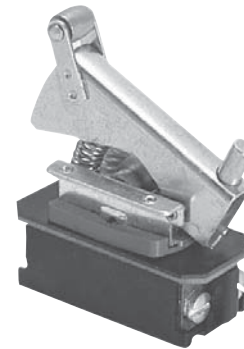
### SELECTION TABLE



8870K2 & K4



8870K3 & K5



8909K559

| Poles and Throw | Circuit Arrangement |           | Mounting           | Features                                | Government Part Number                                       | Catalog Number                       |
|-----------------|---------------------|-----------|--------------------|---|--|--------------------------------------|
|                 | Normal              | Depressed |                    |   |  |                                      |
| 1 P.S.T.        | OFF                 | ON*       | Flush <sup>②</sup> | Microphone PB Switches<br>Foot Operated | M8805/55-001<br>M8805/55-002<br>M8805/55-003<br>M8805/55-004 | 8870K2<br>8870K3<br>8870K4<br>8870K5 |
| 2 P.S.T.        | OFF                 | ON*       | Flush <sup>②</sup> | Roller Operated                         | —  | 8909K559 <sup>①</sup>                |

\* Momentary contact.

<sup>①</sup>Electrical life of 8909K559 is 12,000 operations.

<sup>②</sup> See page B25 for mounting data.

### OPTIONS/ACCESSORIES

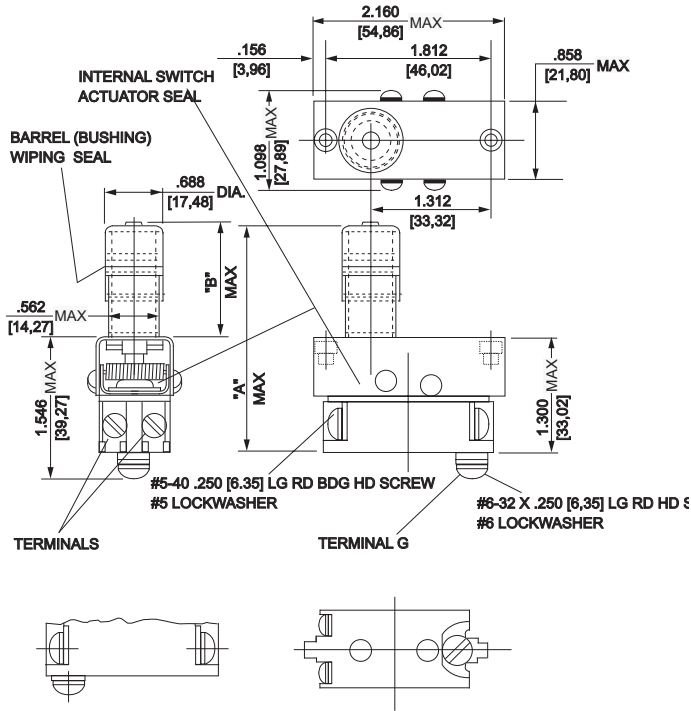
- Terminal screws furnished assembled
- Double throw contacts - 8870
- Special marking

# PUSHBUTTON SWITCHES

## Special Designed Pushbutton Switches

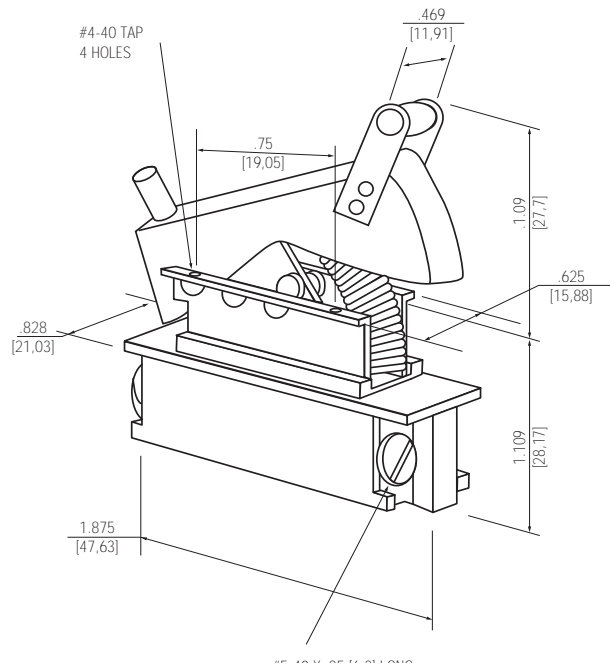
Series - 8870, 8809

### APPROXIMATE DIMENSIONS - 8870K2, K3, K4, K5



|         |       |       |                     |
|---------|-------|-------|---------------------|
| 8870K5  | 2.968 | 1.660 | 6-32 UNC-2B         |
| 8870K4  | 2.218 | .910  | 6-32 UNC-2B         |
| 8870K3  | 2.968 | 1.668 | 6-40 UNF-2B         |
| 8870K2  | 2.218 | .910  | 6-40 UNF-2B         |
| CAT.NO. | A     | B     | INSERT & NUT THREAD |

### APPROXIMATE DIMENSIONS - 8909K559



#### STANDARD

0.00 = inches

[0,0] = mm

Dimensions for reference only.